

Timers

Delay on Release

Types DBA02, PBA02

CARLO GAVAZZI



DBA02



PBA02

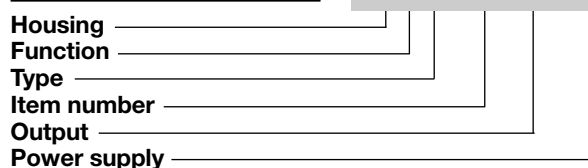
- Time range 0.1 s to 100 h
- Knob selection of time range
- Knob-adjustable time setting
- Repeatability: $\leq 0.2\%$
- Output: 8 A SPDT relay
- For mounting on DIN-rail in accordance with DIN/EN 50 022 or Plug-in
- 22.5 mm Euronorm or 36 mm Plug-in module housing
- Combined AC and DC power supply
- LED indication for relay status and power supply ON

Product Description

Multi-voltage delay on release timer with 7 knob selectable time ranges with mounting on DIN-rail (DBA02) or Plug-in (PBA02). in 0.1 s and 100 h. For

Ordering Key

DBA 02 C M24



Type Selection

| Mounting | Output | Housing | Supply: 24 VDC and 24 to 240 VAC |
|----------|--------|-----------|----------------------------------|
| DIN-rail | SPDT | D-Housing | DBA 02 C M24 |
| Plug-in | SPDT | P-Housing | PBA 02 C M24 |

Time Specifications

| | |
|--|---|
| Time ranges Knob Selectable | 0.1 to 1 s 1 to 10 s 6 to 60 s 60 to 600 s 0.1 to 1 h 1 to 10 h 10 to 100 h |
| Setting accuracy | $\leq 5\%$ |
| Repeatability | $\leq 0.2\%$ |
| Time variation Within rated power supply Within ambient temperature | $\leq 0.05\%/V$ $\leq 0.2\%/^{\circ}C$ |
| Reset Manual reset of time and/or relay | Close the trigger contact between pins A1 and Y1 or 2 and 5 |
| Pulse duration | ≥ 100 ms |
| Power supply interruption | ≥ 200 ms |

Output Specifications

| | |
|--|--|
| Output | SPDT relay |
| Rated insulation voltage | 250 VAC (rms) |
| Contact Ratings (AgSnO₂) | μ |
| Resistive loads | AC 1 8 A @ 250 VAC DC 12 5 A @ 24 VDC |
| Small inductive loads | AC 15 2.5 A @ 250 VAC DC 13 2.5 A @ 24 VDC |
| Mechanical life | $\geq 30 \times 10^6$ operations |
| Electrical life | $\geq 10^5$ operations (at 8 A, 250 V, $\cos \phi = 1$) |
| Operating frequency | < 7200 operations/h |
| Dielectric strength | Dielectric voltage 2 kVAC (rms) Rated impulse withstand volt. 4 kV (1.2/50 μ s) |

Supply Specifications

| | |
|--|---|
| Power supply Rated operational voltage through terminals: (DBA01C) A1, A2 (PBA01C) 2, 10 | Overvoltage cat. III (IEC 60664, IEC 60038) 24 VDC $\pm 15\%$ and 24 to 240 VAC $+10\%/-15\%$, 45 to 65 Hz |
| Voltage interruption | ≤ 10 ms |
| Rated operational power AC supply DC supply | 4 VA 1.5 W |

General Specifications

| | | | | |
|--|--|--|---|---|
| Power ON delay | ≤ 100 ms | | Weight | Approx. 130 g |
| Indication for Power supply ON Output relays ON | LED, green LED, yellow (flashing when timing) | | Screw terminals Tightening torque | Max. 0.5 Nm according to IEC 60947 |
| Environment Degree of protection Pollution degree | (EN 60529) IP 20 3 (DBA02), 2 (PBA02) (IEC 60664) | | Approvals | UL, CSA |
| Operating temperature Storage temperature | -20 to 60°C, R.H. < 95% -30 to 80°C, R.H. < 95% | | CE Marking | Yes |
| Housing Dimensions | DBA02 PBA02 | 22.5 x 80 x 99.5 mm 36 x 80 x 94 mm | EMC Immunity Emission | Electromagnetic Compatibility According to EN 61000-6-2 According to EN 61000-6-3 |
| | | | Timer Specifications | According to EN 61812-1 |

Mode of Operation

The relay operates as soon as the trigger contact is closed. The time period begins when the trigger contact is opened. The relay releases at the end of the set delay time or when the power supply is disconnect-

ed. The relay operates again when the input contact is closed again. If it is closed before the end of the delay time the relay keeps ON, a new time period begins as soon as the trigger contact is opened again.

Additional Load

It's possible to wire an additional load (i.e. a relay) between pins Y1 and A2, or 5 and 10, driven by the trigger contact without damaging the device (see wiring diagram).

Yellow LED working mode

Timing: Slow blinking
Relay ON: See operation diagrams

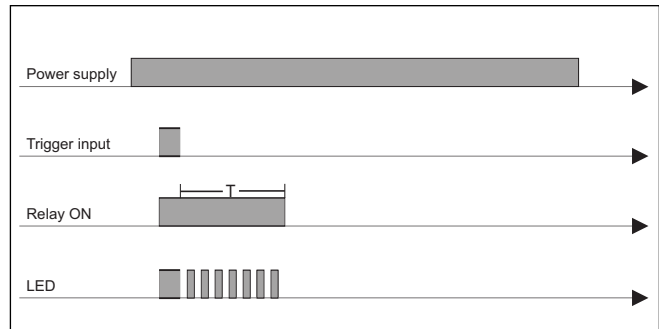
Incorrect knobs position:
Fast blinking

Time Setting

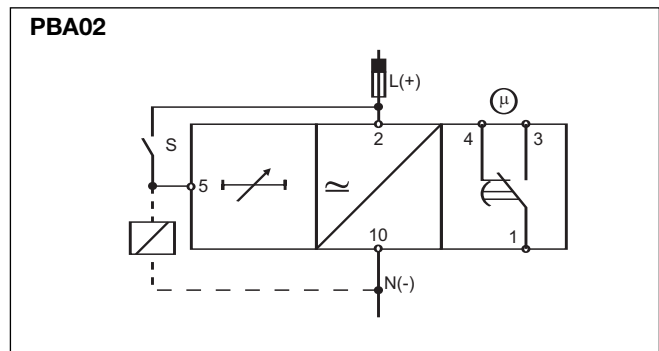
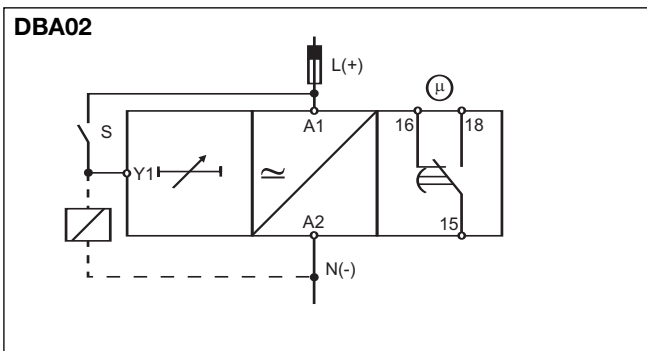
Centre knob:
Time setting on relative scale: 1 to 10 with respect to the chosen range.

Lower knob:
Setting of time range.

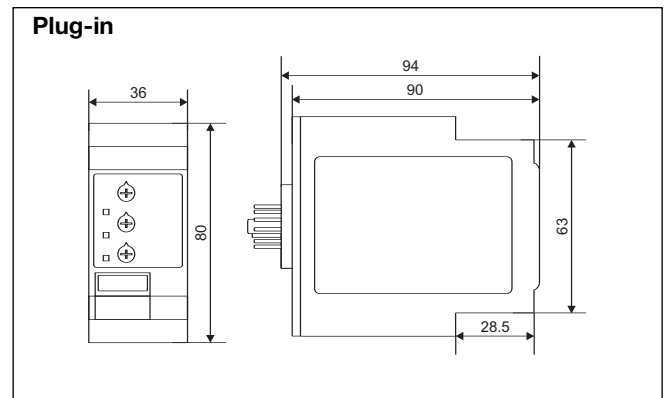
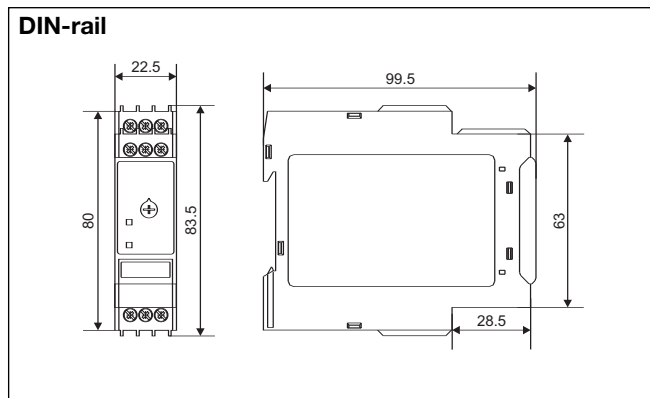
Operating Diagram



Wiring Diagrams



Dimensions



X-ON Electronics

Largest Supplier of Electrical and Electronic Components

Click to view similar products for [Time Delay & Timing Relays](#) category:

Click to view products by [Carlo Gavazzi](#) manufacturer:

Other Similar products are found below :

[5NO30](#) [614-11B-0A2](#) [614-11B-0A3](#) [614-11B-0A4](#) [614-11B-0A6](#) [614-11B-0A8](#) [614-11C-0A1](#) [614-11C-0A2](#) [614-11C-0A5](#) [614-11Q-0A3](#) [614-11Q-0A6](#) [614-11T-0A3](#) [614-11T-0A6](#) [614-11T-0A7](#) [614-12B-4A1](#) [614-12C-400](#) [614-12Q-400](#) [614-12T-600](#) [614-22T-4A1](#) [614-43B-400](#) [614-43C-100](#) [614-43F-200](#) [614-43Q-0A2](#) [614-43Q-100](#) [614-43Q-600](#) [614-43T-0A9](#) [614-43T-600](#) [614-43U-400](#) [614-43U-4A1](#) [614-43U-6A2](#) [615-21T-200](#) [655-11T-100](#) [655-11U-500](#) [655-12T-300](#) [655-22T-400](#) [655-22T-600](#) [CUA-41-30001](#) [CUA-41-30030](#) [CUA-41-70180](#) [CUA-41-71038](#) [CUA-42-30005](#) [CUA-42-30010](#) [CUA-42-30120](#) [CUA-42-70120](#) [CUA-99-72502](#) [CUC-41-30030](#) [CUF-42-30010](#) [CUH-41-31006](#) [7012AFX](#) [7012GD](#)