

PBBOX

Push button plastic boxes



PBBOX3HBY

- Pre-cut cable inlet PG13.5/M20
- UL approved plastic material
- Black base and yellow or grey cover
- From 1 to 5 holes
- CE

Product Description

These boxes, made by UL approved ABS plastic material, are ideal for push buttons application like push button station, emergency STOP push button box, start-stop box etc... They are available from 1 to 5 holes that are fitted for 22mm push buttons series. The black base has a pre-pressed cable inlet type Pg (Pg13.5) or Metric (M20). The cover is available either yellow or grey colours.

Ordering Key

PBBOX 3H BY

Model _____
 Number of Holes _____
 Box Colour _____

Approvals



Number of holes

1H	1 hole
2H	2 holes
3H	3 holes
4H	4 holes
5H	5 holes

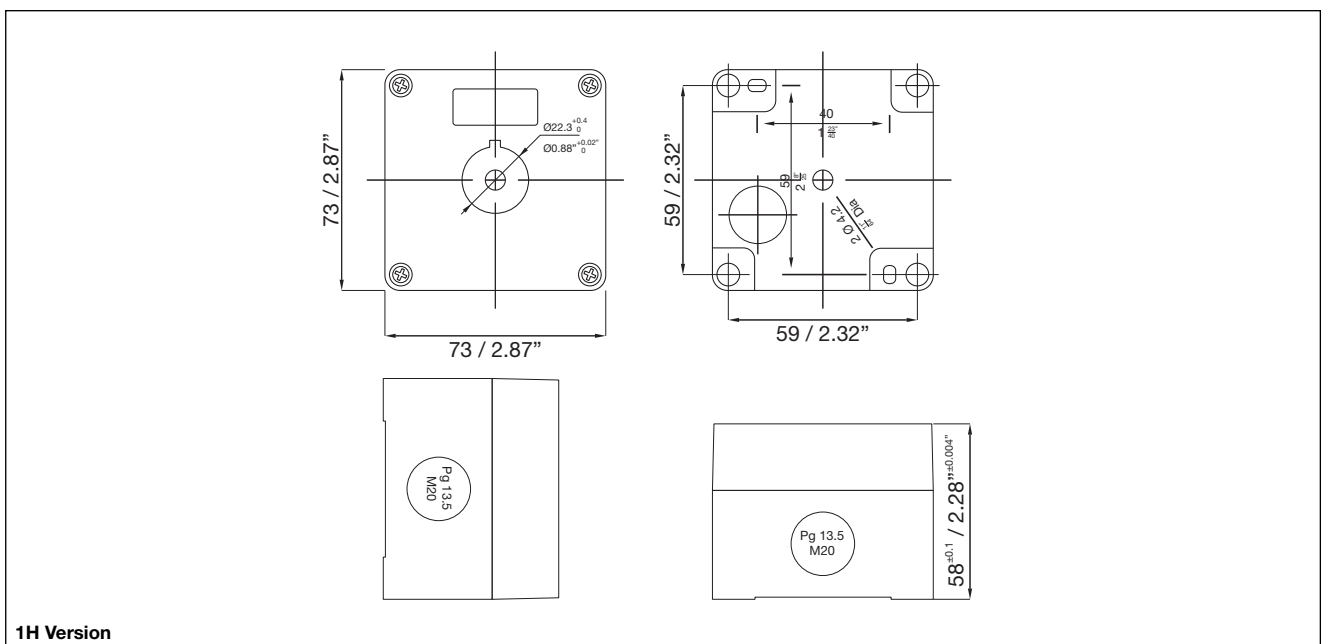
Box Colours

BY	Base: Cover:	Black Pantone Yellow
BG	Base: Cover:	Black Grey RAL7035

General Data

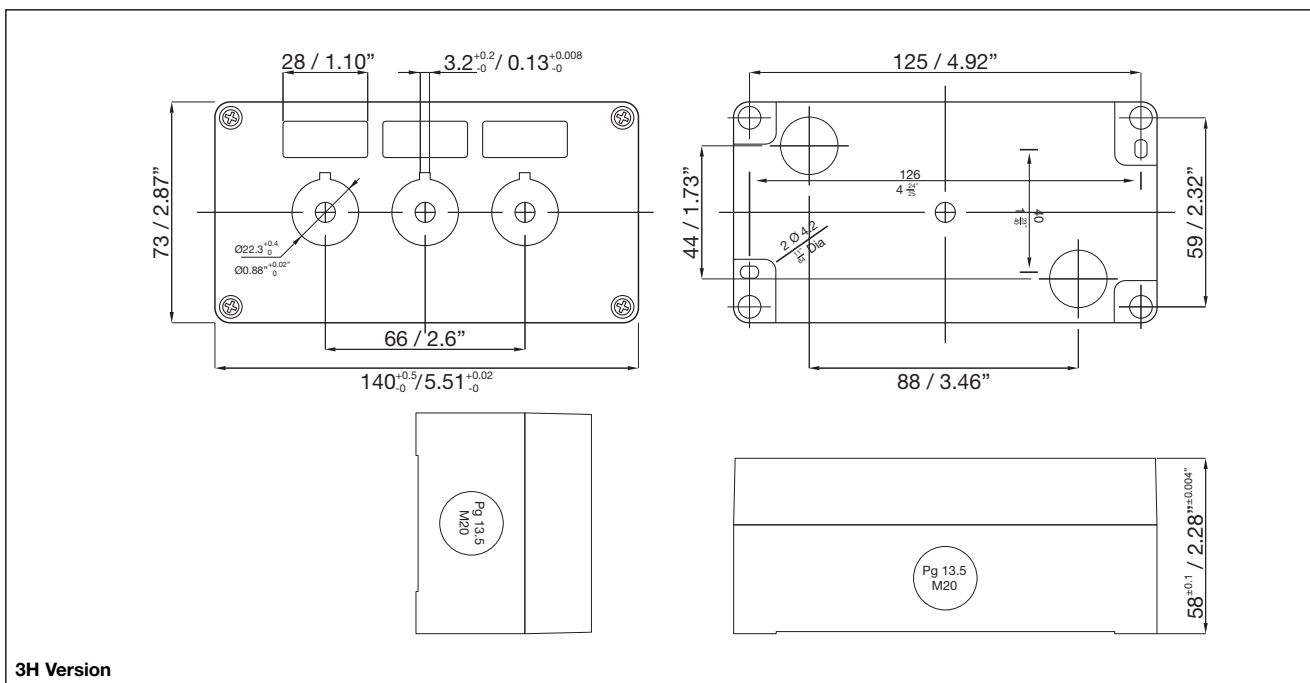
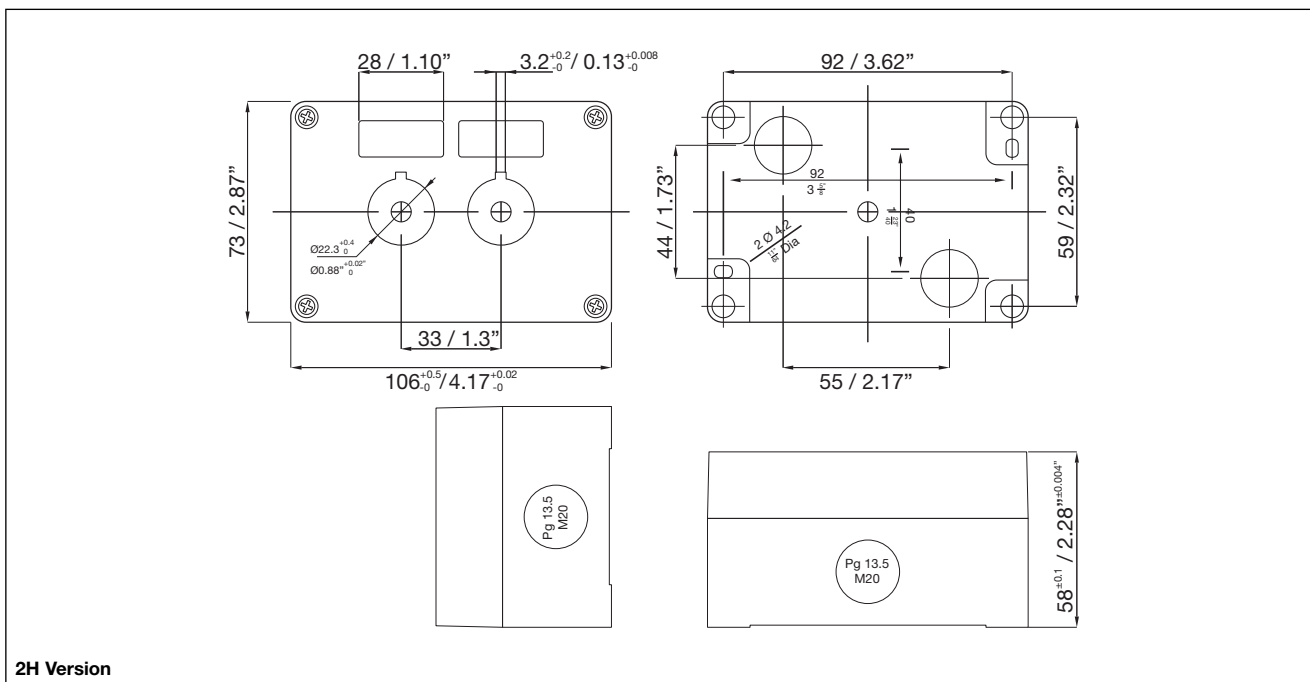
Material	ABS PA-765
Weight	1H 80g / 2.82oz 2H 100g / 3.53oz 3H 120g / 4.23oz 4H 160g / 5.64oz 5H 180g / 6.35oz
Hole diameter	Ø22mm / 0.87"
Operating temperature	-40°C...+60°C / -40°F...+140°F
Degree of protection	IP00

Dimensions (mm/inches)

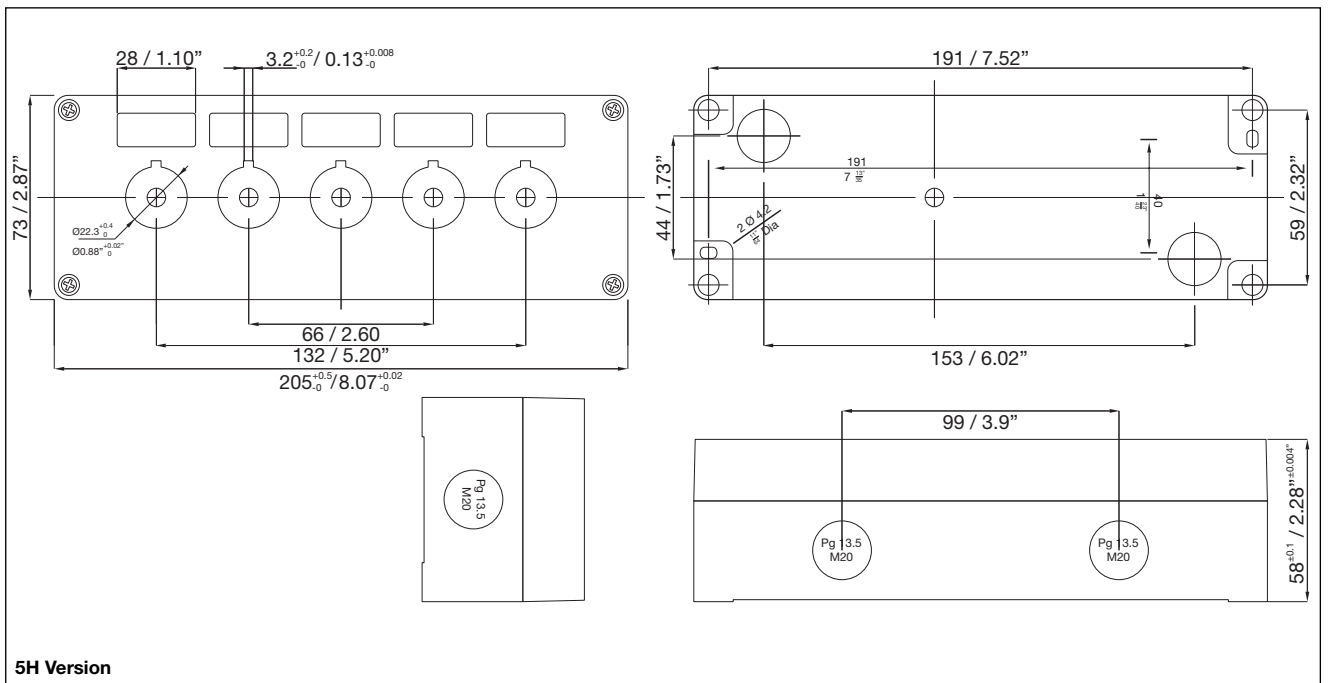
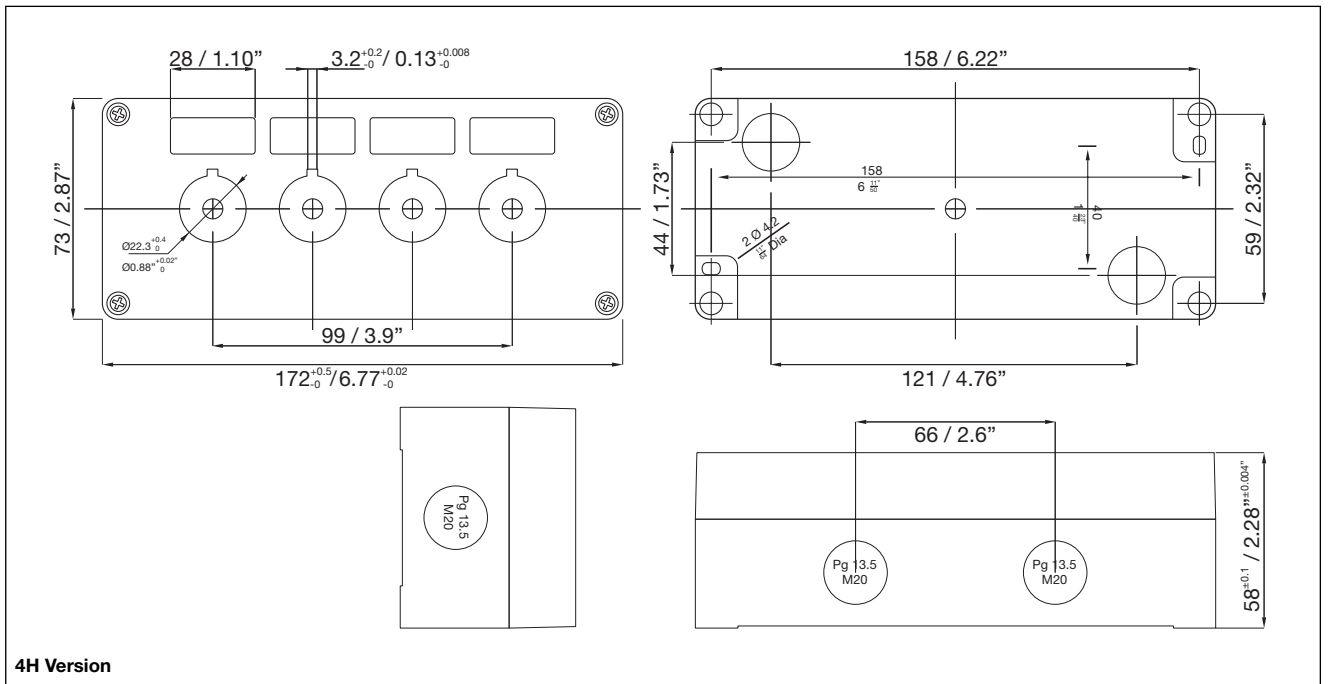


1H Version

Dimensions (mm/inches)



Dimensions (mm/inches)



X-ON Electronics

Largest Supplier of Electrical and Electronic Components

Click to view similar products for [Switch Cases / Switch Covers](#) category:

Click to view products by [Carlo Gavazzi](#) manufacturer:

Other Similar products are found below :

[704.925.2](#) [AMS-8C](#) [AP-DV](#) [PBBOX1HBY](#) [PBBOX3HBY](#) [PBBOX4HBY](#) [SA1074](#) [A16ZJ-5060](#) [A22Z-EG10-W](#) [A3B012R](#) [HE9Z-D5Y](#)
[HG9Z-2D2](#) [61-9920.0](#) [61-9927.2](#) [PBBOX2HBY](#) [61-9924.0](#) [A3C-3002](#) [L188](#) [EUK-704.927.0](#) [SA1072-B](#) [SA1072](#) [EUK-704.927.4](#)
[DPS8SGB54](#) [L167](#) [W42](#) [L180](#) [M1080-2](#) [M539](#) [HE9Z-D5B](#) [AT9444-082G](#) [08-0-0-01 905](#) [08-0-0-02](#) [A165-CTA](#) [A22Z-EG2](#) [RA1540109](#)
[RA1540209](#) [1.30070.0211306](#) [435238-5](#) [M1080-1](#) [5.49257.0111502](#) [5.49275.0361303](#) [AML55-N10RK](#) [AML55-N10RR](#) [AML55-H10BB](#)
[E50SN](#) [AML55-T10YY](#) [5.49.275.032/1601](#) [704.927.6](#) [1.30070.2510100](#) [1.30070.2510500](#)