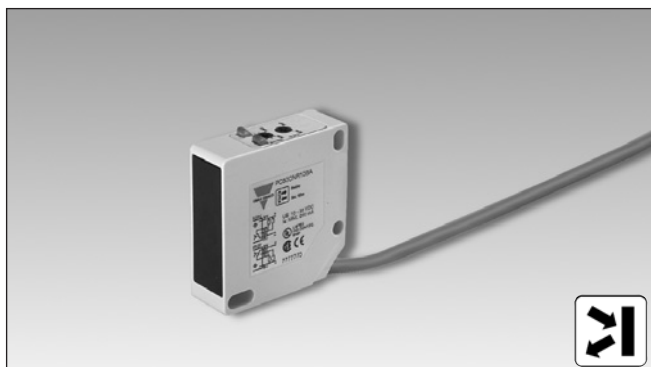


Type PC50CND10RP



- Range: 1 m
- Adjustable sensitivity
- Modulated, infrared light
- Supply voltage:
12 to 240 VDC and 24 to 240 VAC, 50/60 Hz
- Output: Relay 3 A, 30 VDC, 240 VAC
- Make and break switching function
- LED-indication for output ON, signal stability and supply ON
- Protection: reverse polarity, transients
- High degree of EMC



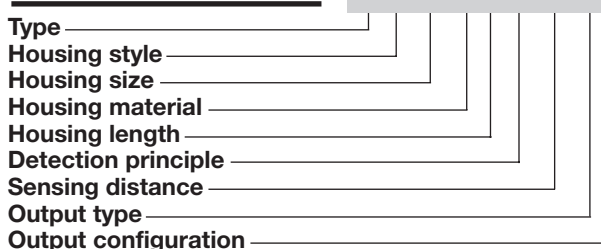
Product Description

The PC50CND. is a general purpose diffuse-reflective sensor in a compact squared 17 x 50 x 50 mm reinforced PC/ABS-housing. It is useful in applications where basic sensors provide adequate

sensing performance. The long sensing range in addition to sensitivity adjustment gives a very flexible sensor. Light and dark operation is switch selectable.

Ordering Key

PC50CND10RP



Type Selection

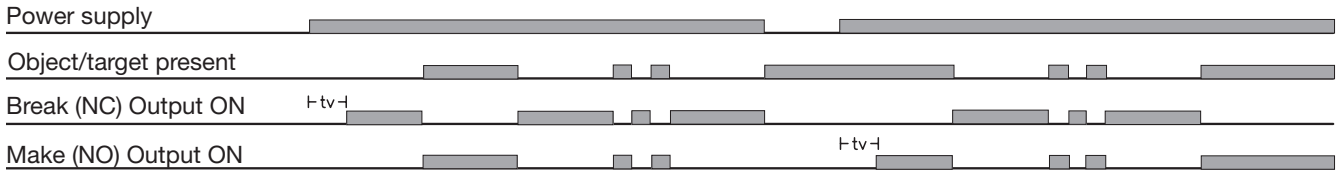
Housing W x H x D	Range (S _n)	Ordering no. Make and break switching
17 x 50 x 50 mm	1 m	PC 50 CND 10 RP

Specifications

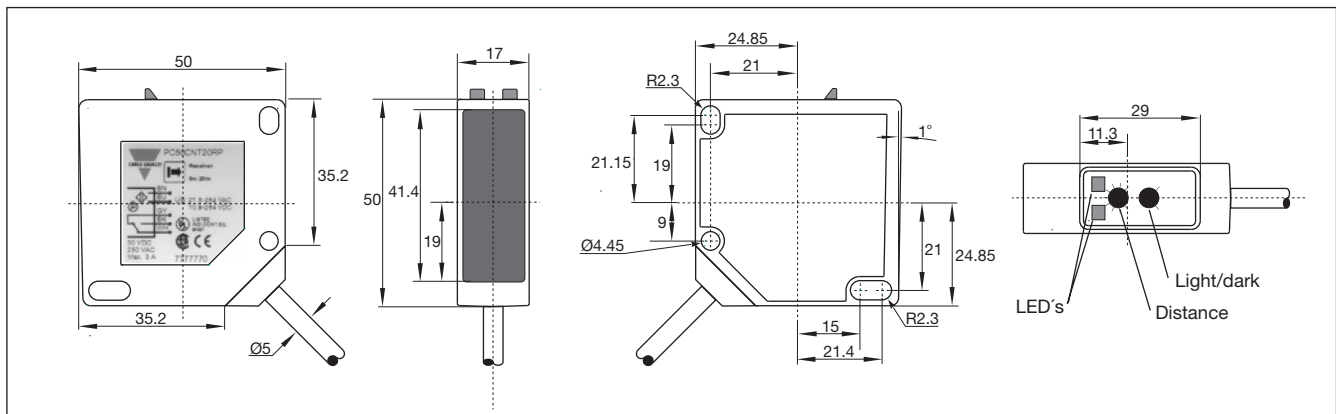
Rated operating distance (S_n)	Up to 1 m, reference target Kodak test card R 27, white, 90% reflectivity, 200 x 200 mm	Power ON delay (t_v)	≤ 300 ms
Blind zone	Max. 10 cm	Output function	Light and dark operation is switch selectable
Sensitivity	Adj. by single-turn pot. meter	Indication function	Output ON Supply ON, signal stability
Temperature drift	≤ 0.5%/°C		LED, yellow LED, green
Hysteresis (H)		Environment	
Differential travel	3-20%	Overvoltage category	II (IEC 60664/60664A; 60947-1)
Rated operational volt. (U_B)	12 to 240 VDC 24 to 240 VAC, 50 to 60 Hz	Pollution degree	3 (IEC 60664/60664A; 60947-1)
Rated operational power	≤ 2.0 VA (relay ON)	Degree of protection	IP 67 (IEC 60529; 60947-1)
Output		Temperature	
Contact ratings		Operating	-20° to +60°C (-4° to +140°F)
Resistive loads	AC 1 3 A/250 VAC DC 1 3 A/30 VDC (> 10 mA/5 VDC)	Storage	-25° to +80°C (-13° to +176°F)
Mechanical life (typical)	≥ 15 x 10 ⁶ operations	Vibration	10 to 150 Hz, 0.5 mm/7.5 g (IEC 68-2-6)
Electrical life (typical)	≥ 1 x 10 ⁵ operations at 3 A/240 VAC	Shock	2 x 1 m & 100 x 0.5 m (IEC 68-2-32)
Protection	Reverse polarity, transients	Rated insulation voltage	250 VAC (rms)
Light source	GaAlAs, LED, 880 nm	Housing material	
Light type	Infrared, modulated	Body	PC/ABS, grey, reinforced
Sensing angle	± 2° at 1/2 range	Front glass	PC black
Ambient light	Max. 5'000 lux	Mounting bracket	Steel, galvanized
Operating frequency	20 Hz	Connection	
Response time		Cable	PVC, grey, 2 m, 5 x 0.34 mm ²
OFF-ON (t _{ON})	≤ 25 ms	Weight	130 g
ON-OFF (t _{OFF})	≤ 25 ms	Approvals	UL, CSA
		CE-marking	Yes

Operation Diagram

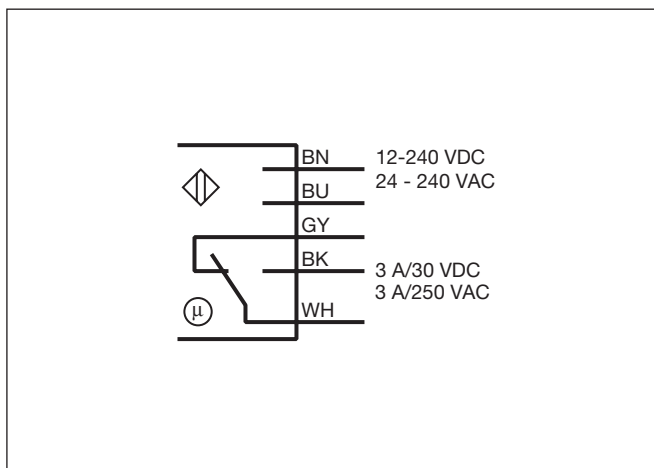
tv = Power ON delay



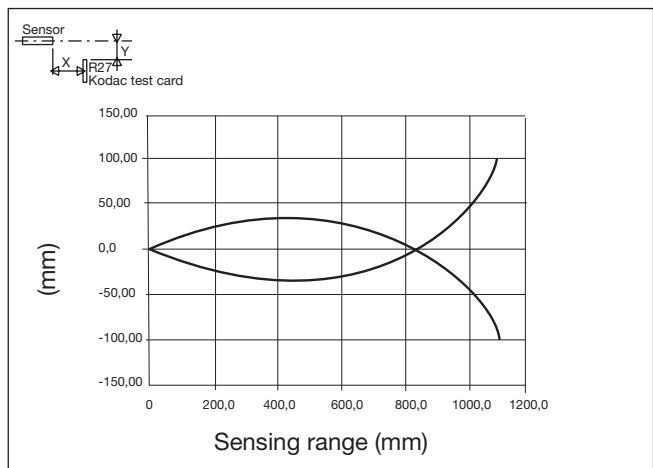
Dimensions



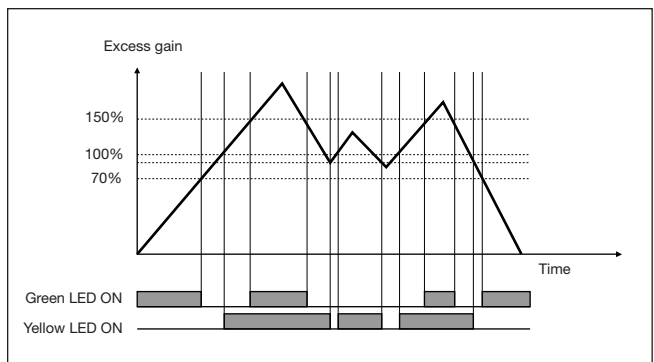
Wiring Diagram



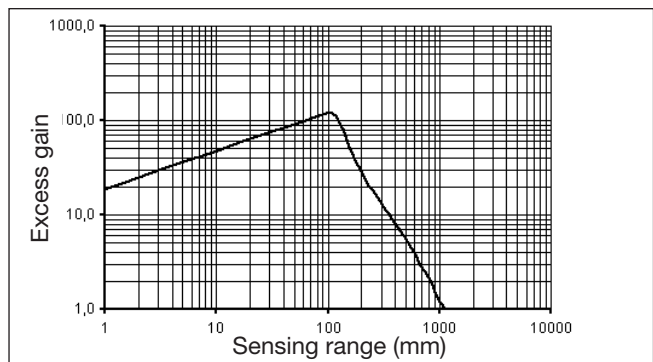
Detection Diagram



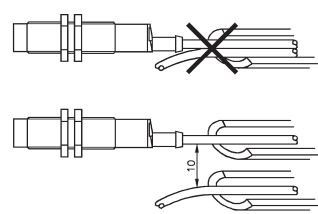
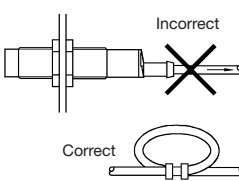
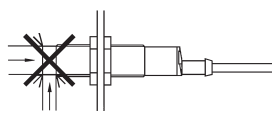
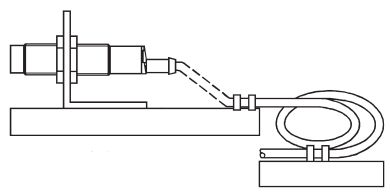
Signal Stability



Excess Gain



Installation Hints

<p>To avoid interference from inductive voltage/current peaks, separate the prox. switch power cables from any other power cables, e.g. motor, contactor or solenoid cables</p> 	<p>Relief of cable strain</p>  <p>The cable should not be pulled</p>	<p>Protection of the sensing face</p>  <p>A proximity switch should not serve as mechanical stop</p>	<p>Switch mounted on mobile carrier</p>  <p>Any repetitive flexing of the cable should be avoided</p>
---	---	--	--

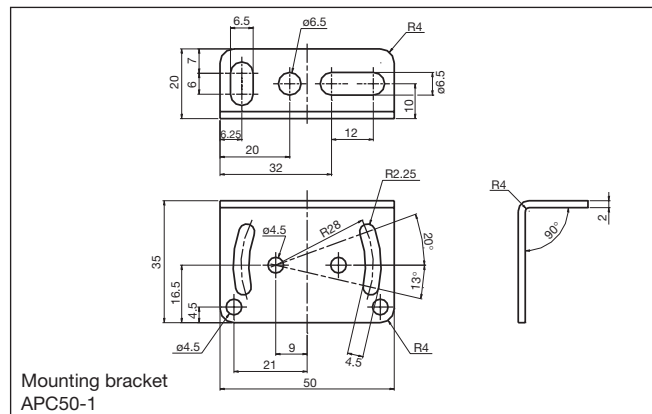
Delivery Contents

- Photoelectric switch: PC50CND..
- Installation instruction
- Mounting bracket APC50-1
- **Packaging:** Cardboard box

Accessories

- Screwdriver for adjustment: 77-001

For further information refer to "Accessories"



X-ON Electronics

Largest Supplier of Electrical and Electronic Components

Click to view similar products for [Photoelectric Sensors](#) category:

Click to view products by [Carlo Gavazzi](#) manufacturer:

Other Similar products are found below :

[7442AD2X5FRX](#) [EX-19B-LP](#) [7443AR0X5FRX](#) [7452AD4D4NNX](#) [F3WD052C5M](#) [7655AR-04-F-1-2-RX](#) [7694ADE04DS2X](#) [FE7C-FRC6S-M](#) [PM-R24-R](#) [Q45VR2FPQ](#) [13104RQD07](#) [E3JUXM4MN](#) [E3L2DC4](#) [E3S3LE21](#) [E3SCT11M1J03M](#) [E3SDS20E21](#) [E3VDS70C43S](#)
[E3XNM16](#) [BR23P](#) [HOA6563-001](#) [OJ-3307-30N8](#) [OS-311A-30](#) [P32013](#) [P34036](#) [P43004](#) [P56001](#) [P60001](#) [PB10CNT15PO](#) [S14132](#) [935286-000](#) [S52101](#) [S56258](#) [SH-21E](#) [FD-SN500](#) [FE7B-FDRB6-M](#) [SU-79](#) [T36342](#) [T40300](#) [T60001](#) [PD60CNX20BP](#) [FX2-A3R](#) [FX-302-HY](#) [FZS](#)
[PM-T64W](#) [PX-22](#) [PZ2-51P](#) [CX-491-P-J](#) [CYNUTX10](#) [UZH802](#) [UZH803](#)