

Photoelectrics Through-beam Type PD30CNT15....MU/RT

CARLO GAVAZZI



- Miniature sensor range
- Range: 15 m
- Sensitivity adjustment by Teach-In programming
- Modulated, Infrared light 880 nm
- Supply voltage: 10 to 30 VDC
- Output: 100 mA, NPN or PNP preset
- Make and break switching function programmable
- LED indication for output, stability and power ON
- Protection: reverse polarity, short circuit and transients
- Cable and plug versions
- Excellent EMC performance
- Mute function (Sensor blanking) Emitter
- Remote teach - Receiver



Product Description

The PD30CNT15 sensor family comes in a compact 10 x 30 x 20 mm reinforced PMMA/ABS housing. The sensors are useful in applications where high-accuracy detection as well as small size is required. Compact housing and high power LED for excellent performance-size ratio.

The Teach-In function for adjustment of the sensitivity makes the sensors highly flexible. The output type is preset (NPN or PNP), and the output switching function is programmable (NO or NC). The mute function can be used for testing the sensor for: Malfunctioning, disconnection, optical axis adjustment, dusty and dirty lenses.

Ordering Key

PD30CNT15NPM5RT

Type	PD30CNT15NPM5RT
Housing style	PD30CNT15NPM5RT
Housing size	PD30CNT15NPM5RT
Housing material	PD30CNT15NPM5RT
Housing length	PD30CNT15NPM5RT
Detection principle	PD30CNT15NPM5RT
Sensing distance	PD30CNT15NPM5RT
Output type	PD30CNT15NPM5RT
Output configuration	PD30CNT15NPM5RT
Connection type	PD30CNT15NPM5RT
Remote teach	PD30CNT15NPM5RT

Type Selection

Housing W x H x D	Range S _n	Connection	Ordering no. NPN Emitter	Ordering no. NPN Make or break switching	Ordering no. PNP Emitter	Ordering no. PNP Make or break switching
----------------------	-------------------------	------------	--------------------------------	--	--------------------------------	--

10 x 30 x 20 mm	15 m	Cable	PD 30 CNT 15 NMU	PD 30 CNT 15 NPRT	PD 30 CNT 15 PMU	PD 30 CNT 15 PPRT
10 x 30 x 20 mm	15 m	Plug	PD 30 CNT 15 NM5MU	PD 30 CNT 15 NPM5RT	PD 30 CNT 15 PM5MU	PD 30 CNT 15 PPM5RT

Note: Emitter, Receiver and Connector to be ordered separately.

Specifications Emitter EN 60947-5-2

Rated operational volt. (U _B)	10 to 30 VDC	Protection	Reverse polarity, transients
Ripple (U _{rpp})	≤ 10%	Indication function	LED, green
Supply current	≤ 25 mA	Power supply ON	LED, green
Light Source	GaAlAs, LED, 880 nm	Mute function	
Optical angle	± 2° at ½ range	Emitter off	0 to 3 sec
Light type	Infrared, modulated	Emitter half power	> 3 sec
Light spot	110 mm @ 1.5 m		0 to 2.5 VDC (NPN) 5 to 30 VDC (PNP) 0 to 2.5 VDC (NPN) 5 to 30 VDC (PNP)

Specifications Receiver EN 60947-5-2

Rated operating distance (S _n)	15 m, with PD30CNT15 Emitter	Adjustable range resolution	1.5 m to 15 m 3% on distance
Blind zone	None	Output current	
Sensitivity	Adjustable by Teach-In (push button or wire)	Continuous (I _c)	≤ 100 mA
		Short-time (I)	≤ 100 mA (max. load capacity 100 nF)
Temperature drift	≤ 0.3%/°C	No load supply current (I _o)	≤ 30 mA
Hysteresis (H) (differential travel)	≤ 10%	Minimum operational current (I _m)	0.5 mA
Rated operational volt. (U _B)	10 to 30 VDC	OFF-state current (I _r)	≤ 100 μA
Ripple (U _{rpp})	≤ 10%	Voltage drop (U _d)	≤ 2.5 VDC @ 100 mA



Specifications Receiver (cont.) EN 60947-5-2

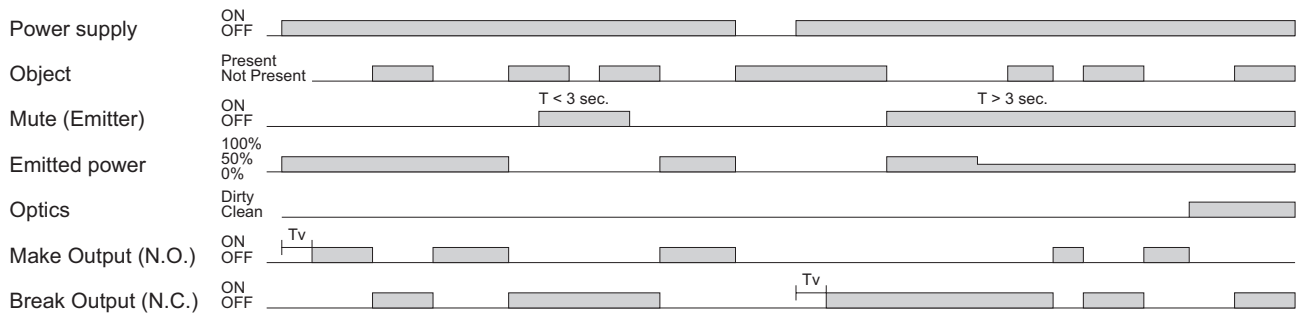
Protection	Short-circuit, reverse polarity and transients
Sensing angle	± 4°
Ambient light	10,000 lux
Operating frequency	1000 Hz
Response time	
OFF-ON (t _{ON})	≤ 0.5 ms
ON-OFF (t _{OFF})	≤ 0.5 ms
Power ON delay (t_v)	≤ 300 ms
Output function	
NPN and PNP	Preset
NO/NC switching function	Set up by button
Remote teach	
"Push button active"	0 to 2.5 VDC (NPN) 5 to 30 VDC (PNP)
Tamper proof	When activated more than 20 sec. the sensor goes into a Tamper proof mode.
Indication	
Output ON	LED, yellow
Signal stability ON and power ON	LED, green

General Specifications EN 60947-5-2

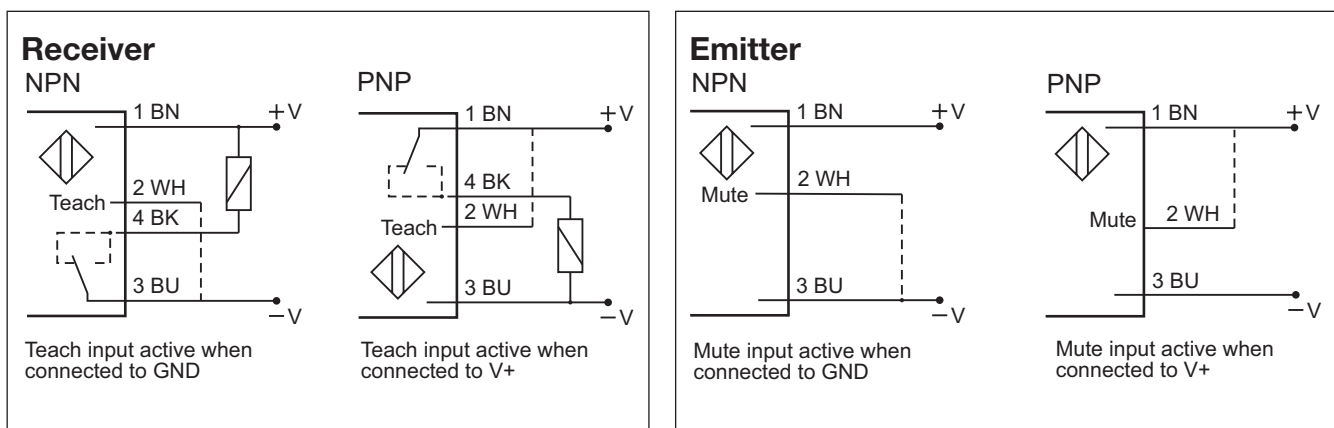
Environment	
Installation category	III (IEC 60664/60664A; 60947-1)
Pollution degree	3 (IEC 60664/60664A; 60947-1)
Degree of protection	IP 67 (IEC 60529; 60947-1)
Ambient temperature	
Operating	-25° to +55°C (-13° to +131°F)
Storage	-40° to +70°C (-40° to +158°F)
Vibration	10 to 55 Hz, 0.5 mm/7.5 g (IEC 60068-2-6)
Shock	30 g / 11ms, 3 pos, 3 neg per axis (IEC 60068-2-6, 60068-2-32)
Rated insulation voltage	500 VAC (rms)
Housing material	
Body	ABS
Front material	PMMA, red
Connection	
Cable Emitter/receiver	PVC, black, 2 m, Ø = 3.3 mm 4 x 0.14 mm ²
Plug	M8, 4-pin (CON, 54-series)
Weight (each sensor)	With cable: 40 g With plug: 10 g
CE-marking	Yes
Approvals	cULus (UL508)

Operation Diagram

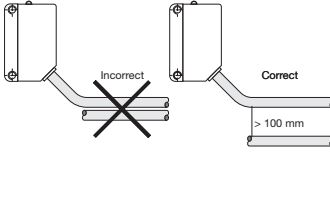
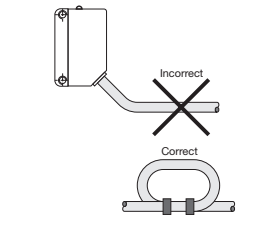
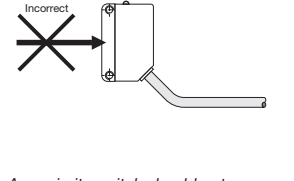
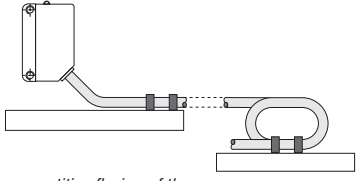
t_v = Power ON delay



Wiring Diagrams



Installation Hints

<p><i>To avoid interference from inductive voltage / current peaks, separate the proximity switch cables from any other power cables. E.g. Engine, contactor or solenoid cables</i></p>  <p>Incorrect</p> <p>Correct</p> <p>> 100 mm</p>	<p><i>Relief of the cable strain</i></p>  <p>Incorrect</p> <p>Correct</p> <p><i>The cable should not be pulled</i></p>	<p><i>Protection of the sensing face</i></p>  <p>Incorrect</p> <p>Correct</p> <p><i>A proximity switch should not serve as mechanical stop</i></p>	<p><i>Sensor mounted on a mobile carrier</i></p>  <p>Incorrect</p> <p>Correct</p> <p><i>Any repetitive flexing of the cable should be avoided</i></p>
---	---	--	--

Delivery Contents

- Photoelectric switch: PD 30 CNT 15 ...
- Installation instruction
- Mounting bracket APD30-1
- **Packaging:** Cardboard box

Accessories

- Mounting bracket APD30-2 to be purchased separately
- Connector type CONG 5A../CON. 54NF.. series.

X-ON Electronics

Largest Supplier of Electrical and Electronic Components

Click to view similar products for [Photoelectric Sensors](#) category:

Click to view products by [Carlo Gavazzi](#) manufacturer:

Other Similar products are found below :

[7442AD2X5FRX](#) [EX-19B-LP](#) [7443AR0X5FRX](#) [7452AD4D4NNX](#) [F3WD052C5M](#) [7655AR-04-F-1-2-RX](#) [7694ADE04DS2X](#) [FE7C-FRC6S-M](#) [PM-R24-R](#) [Q45VR2FPQ](#) [13104RQD07](#) [E3JUXM4MN](#) [E3L2DC4](#) [E3S3LE21](#) [E3SCT11M1J03M](#) [E3SDS20E21](#) [E3VDS70C43S](#)
[E3XNM16](#) [BR23P](#) [HOA6563-001](#) [OJ-3307-30N8](#) [OS-311A-30](#) [P32013](#) [P34036](#) [P43004](#) [P56001](#) [P60001](#) [PB10CNT15PO](#) [S14132](#) [935286-000](#) [S52101](#) [S56258](#) [SH-21E](#) [FD-SN500](#) [FE7B-FDRB6-M](#) [SU-79](#) [T36342](#) [T40300](#) [T60001](#) [PD60CNX20BP](#) [FX2-A3R](#) [FX-302-HY](#) [FZS](#)
[PM-T64W](#) [PX-22](#) [PZ2-51P](#) [CX-491-P-J](#) [CYNUTX10](#) [UZH802](#) [UZH803](#)