

# Photoelectrics Through-beam Type PD30CNT15....MU/DU

CARLO GAVAZZI



- Miniature sensor range
- Range: 15 m
- Sensitivity adjustment by Teach-In programming
- Modulated, Infrared light 880 nm
- Supply voltage: 10 to 30 VDC
- Output: 100 mA, NPN or PNP preset
- Make and break switching function programmable
- LED indication for output, stability and power ON
- Protection: reverse polarity, short circuit and transients
- Cable and plug versions
- Excellent EMC performance
- Mute function (Sensor blanking) Emitter
- Dust alarm output - Receiver



## Product Description

The PD30CNT15 sensor family comes in a compact 10 x 30 x 20 mm reinforced PMMA/ABS housing. The sensors are useful in applications where high-accuracy detection as well as small size is required. Compact housing and high power LED for excellent performance-size ratio. The Teach-In function for adjustment of the sensitivi-

ty makes the sensors highly flexible. The output type is preset (NPN or PNP), and the output switching function is programmable (NO or NC), and one dust output NO or NC.

The mute function can be used for testing the sensor for: Malfunctioning, disconnection, optical axis adjustment, dusty and dirty lenses.

## Ordering Key

PD30CNT15NPM5DU

Type	_____
Housing style	_____
Housing size	_____
Housing material	_____
Housing length	_____
Detection principle	_____
Sensing distance	_____
Output type	_____
Output configuration	_____
Connection type	_____
Dust	_____

## Type Selection

Housing W x H x D	Range S <sub>n</sub>	Connection	Ordering no. NPN Emitter	Ordering no. NPN Make or break switching	Ordering no. PNP Emitter	Ordering no. PNP Make or break switching
10 x 30 x 20 mm	15 m	Cable	PD 30 CNT 15 NMU	PD 30 CNT 15 NPDU	PD 30 CNT 15 PMU	PD 30 CNT 15 PPDU
10 x 30 x 20 mm	15 m	Plug	PD 30 CNT 15 NM5MU	PD 30 CNT 15 NPM5DU	PD 30 CNT 15 PM5MU	PD 30 CNT 15 PPM5DU

**Note:** Emitter, Receiver and Connector to be ordered separately.

## Specifications Emitter EN 60947-5-2

Rated operational volt. (U <sub>B</sub> )	10 to 30 VDC	Protection	Reverse polarity, transients
Ripple (U <sub>rpp</sub> )	≤ 10%	Indication function	LED, green
Supply current	≤ 25 mA	Power supply ON	LED, green
Light Source	GaAlAs, LED, 880 nm	Mute function	
Optical angle	± 2° at 1/2 range	Emitter off	0 to 3 sec
Light type	Infrared, modulated	Emitter half power	> 3 sec
Light spot	110 mm @ 1.5 m		0 to 2.5 VDC (NPN) 5 to 30 VDC (PNP) 0 to 2.5 VDC (NPN) 5 to 30 VDC (PNP)

## Specifications Receiver EN 60947-5-2

Rated operating distance (S <sub>n</sub> )	15 m, with PD30CNT15 Emitter	Output current	
Blind zone	None	Continuous (I <sub>e</sub> )	≤ 100 mA
Sensitivity	Adjustable by Teach-In	Short-time (I)	≤ 100 mA (max. load capacity 100 nF)
Temperature drift	≤ 0.3%/°C	Dust output current	
Hysteresis (H) (differential travel)	≤ 10%	Continuous (I <sub>e</sub> )	≤ 20 mA
Rated operational volt. (U <sub>B</sub> )	10 to 30 VDC	Short-time (I)	≤ 20 mA (max. load capacity 100 nF)
Ripple (U <sub>rpp</sub> )	≤ 10%	No load supply current (I <sub>o</sub> )	≤ 30 mA
Adjustable range resolution	1.5 m to 15 m 3% on distance	Minimum operational current (I <sub>m</sub> )	0.5 mA
		OFF-state current (I <sub>r</sub> )	≤ 100 μA

Specifications are subject to change without notice (24.08.2016)



## Specifications Receiver (cont.) EN 60947-5-2

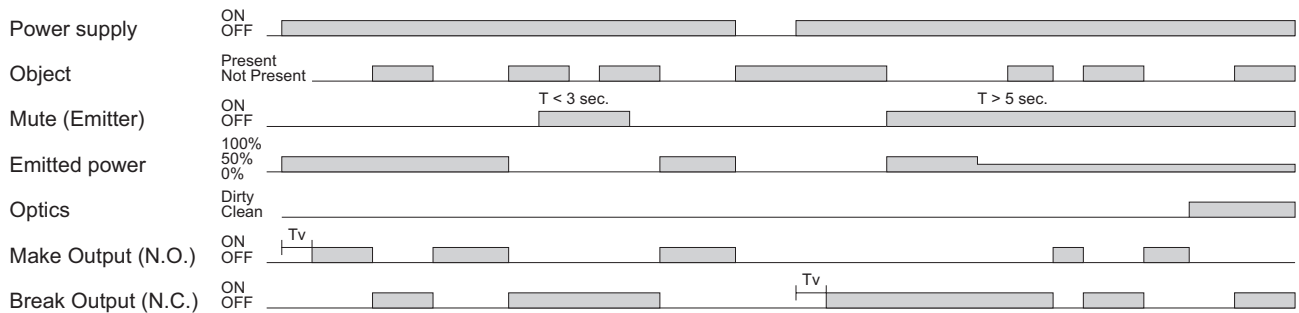
<b>Voltage drop (U<sub>d</sub>)</b>	≤ 2.5 VDC @ 100 mA
<b>Protection</b>	Short-circuit, reverse polarity and transients
<b>Sensing angle</b>	± 4°
<b>Ambient light</b>	10,000 lux
<b>Operating frequency</b>	1000 Hz
<b>Response time</b>	
OFF-ON (t <sub>ON</sub> )	≤ 0.5 ms
ON-OFF (t <sub>OFF</sub> )	≤ 0.5 ms
<b>Power ON delay (t<sub>v</sub>)</b>	≤ 300 ms
<b>Output function</b>	
NPN and PNP	Preset
NO/NC switching function	Set up by button
Programming options	
Output pin 4 black	NO or NC
Output pin 2 white	NO or NC (dust)
<b>Dust alarm output</b>	
Delay on operate	20 ms
<b>Indication</b>	
Output ON	LED, yellow
Signal stability ON and power ON	LED, green

## General Specifications EN 60947-5-2

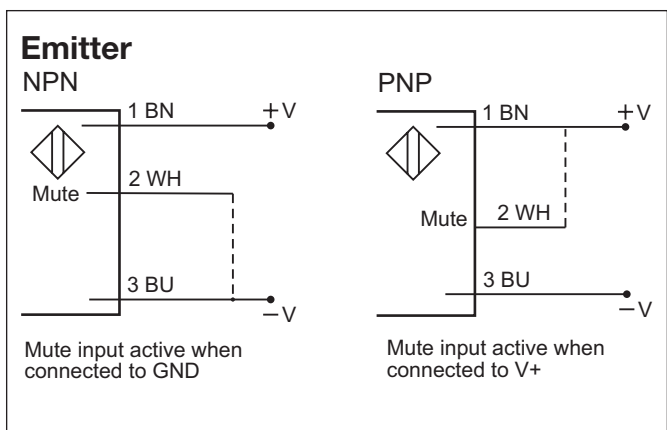
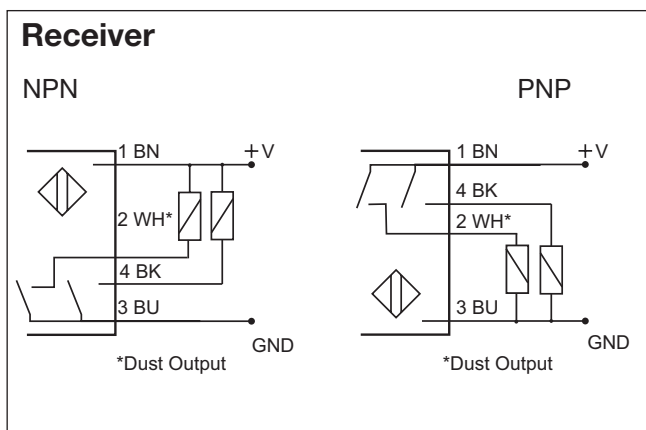
<b>Environment</b>	
Installation category	III (IEC 60664/60664A; 60947-1)
Pollution degree	3 (IEC 60664/60664A; 60947-1)
Degree of protection	IP 67 (IEC 60529; 60947-1)
<b>Ambient temperature</b>	
Operating	-25° to +55°C (-13° to +131°F)
Storage	-40° to +70°C (-40° to +158°F)
<b>Vibration</b>	10 to 55 Hz, 0.5 mm/7.5 g (IEC 60068-2-6)
<b>Shock</b>	30 g / 11ms, 3 pos, 3 neg per axis (IEC 60068-2-6, 60068-2-32)
<b>Rated insulation voltage</b>	500 VAC (rms)
<b>Housing material</b>	
Body	ABS
Front material	PMMA, red
<b>Connection</b>	
Cable Emitter/receiver	PVC, black, 2 m, Ø = 3.3 mm 4 x 0.14 mm <sup>2</sup>
Plug	M8, 4-pin (CON, 54-series)
<b>Weight (each sensor)</b>	With cable: 40 g With plug: 10 g
<b>CE-marking</b>	Yes
<b>Approvals</b>	cULus (UL508)

## Operation Diagram

t<sub>v</sub> = Power ON delay

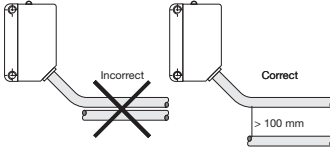
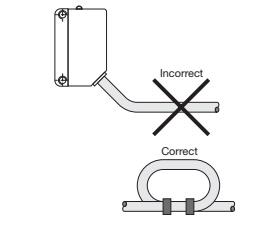
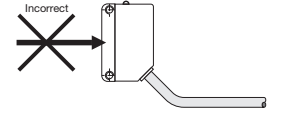
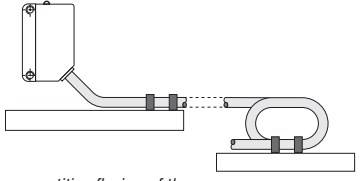


## Wiring Diagrams





## Installation Hints

<p><i>To avoid interference from inductive voltage / current peaks, separate the proximity switch cables from any other power cables. E.g. Engine, contactor or solenoid cables</i></p> 	<p><i>Relief of the cable strain</i></p>  <p><i>The cable should not be pulled</i></p>	<p><i>Protection of the sensing face</i></p>  <p><i>A proximity switch should not serve as mechanical stop</i></p>	<p><i>Sensor mounted on a mobile carrier</i></p>  <p><i>Any repetitive flexing of the cable should be avoided</i></p>
--	---	--	--

## Delivery Contents

- Photoelectric switch: PD 30 CNT 15 ...
- Installation instruction
- Mounting bracket APD30-1
- **Packaging:** Cardboard box

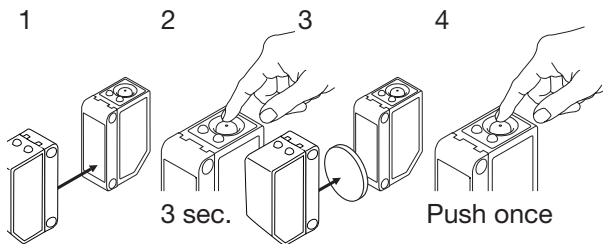
## Accessories

- Mounting bracket APD30-2 to be purchased separately
- Connector type CONG 5A../CON. 54NF.. series.

## Teach functions

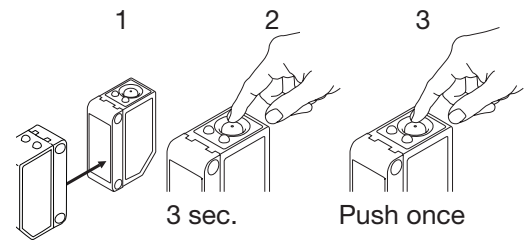
### Normal operation, optimized switching point

1. Line up the emitter and receiver. Yellow LED and Green LED are ON.
2. Press the button for 3 seconds until both LEDs flashes simultaneously.  
(The first switch point is stored)
3. Place the object between the emitter and receiver in the detection zone.
4. Press the button once and the sensor is ready to operate (Green LED ON, Yellow LED ON)  
(The second switch point is stored)



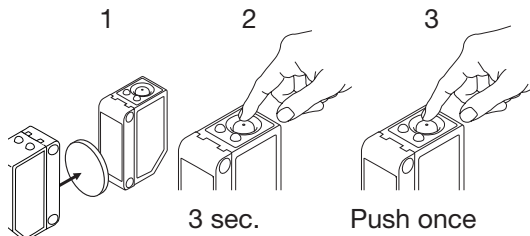
### For dynamic set-up (running process)

1. Line up the emitter and receiver. Green LED is ON, status on the yellow LED is not important.
2. Press the button for 3 second until both LEDs flashes simultaneously.  
(The first switch point is stored)
3. Press the button a second time and keep the button pressed for at least one process cycle, release the button and the sensor is ready to operate (The second switch point is stored)



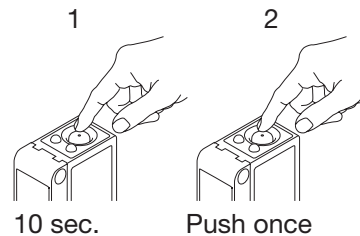
### For maximum sensing distance (default setting)

1. Line up the emitter and receiver, place the object between the emitter and receiver in the detection zone. Yellow LED is OFF and Green LED is ON.
2. Press the button for 3 seconds until both LEDs flashes simultaneously.  
(The first switch point is stored)
3. Press the button a second time and the sensor is ready to operate (Green LED ON, Yellow LED ON)  
(The second switch point is stored)



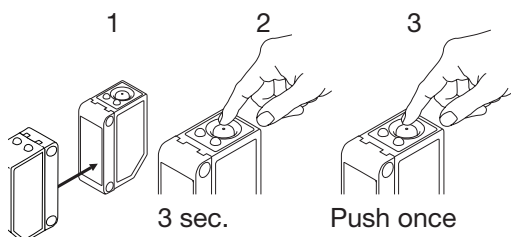
### For make or break set-up

1. Press the button for 10 seconds, until the green LEDs flashes.
2. While the green LED flashes, the output is inverted each time the button is pressed. Yellow LED indicates N.O. function selected.  
If the button is not pressed within the next 10 seconds, the current output is stored.



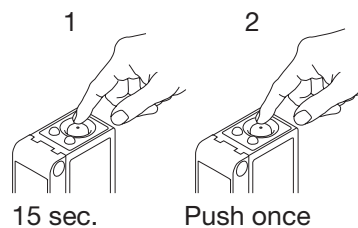
### For minimum sensing distance (Transparent or semi-transparent objects)

1. Line up the emitter and receiver. Yellow LED and Green LED are ON.
2. Press the button for 3 seconds until both LEDs flashes simultaneously.  
(The first switch point is stored)
3. Press the button a second time and the sensor is ready to operate (Green LED ON, Yellow LED ON)  
(The second switch point is stored)



### For dust output (N.O. or N.C.)

1. Press the button for 15 seconds, until the yellow LEDs flashes.
2. While the yellow LED flashes, the dust output is inverted each time the button is pressed. Green LED indicates N.O. function selected.  
If the button is not pressed within the next 10 seconds, the current output is stored.



## X-ON Electronics

Largest Supplier of Electrical and Electronic Components

*Click to view similar products for [Photoelectric Sensors](#) category:*

*Click to view products by [Carlo Gavazzi](#) manufacturer:*

Other Similar products are found below :

[7442AD2X5FRX](#) [EX-19B-LP](#) [7443AR0X5FRX](#) [7452AD4D4NNX](#) [F3WD052C5M](#) [7655AR-04-F-1-2-RX](#) [7694ADE04DS2X](#) [FE7C-FRC6S-M](#) [PM-R24-R](#) [Q45VR2FPQ](#) [13104RQD07](#) [E3JUXM4MN](#) [E3L2DC4](#) [E3S3LE21](#) [E3SCT11M1J03M](#) [E3SDS20E21](#) [E3VDS70C43S](#)  
[E3XNM16](#) [BR23P](#) [HOA6563-001](#) [OJ-3307-30N8](#) [OS-311A-30](#) [P32013](#) [P34036](#) [P43004](#) [P56001](#) [P60001](#) [PB10CNT15PO](#) [S14132](#) [935286-000](#) [S52101](#) [S56258](#) [SH-21E](#) [FD-SN500](#) [FE7B-FDRB6-M](#) [SU-79](#) [T36342](#) [T40300](#) [T60001](#) [PD60CNX20BP](#) [FX2-A3R](#) [FX-302-HY](#) [FZS](#)  
[PM-T64W](#) [PX-22](#) [PZ2-51P](#) [CX-491-P-J](#) [CYNUTX10](#) [UZH802](#) [UZH803](#)