

Photoelectrics Through-beam, Industrial Door Market Type PMT20.M, Mute Input

CARLO GAVAZZI



- Range: 20 m
- Modulated, infrared light
- LED-indication for power supply ON (emitter) and target detected (receiver)
- Multi supply voltage: 24 VDC and 24 VAC, 50/60 Hz
- 25 x 65 x 81 mm reinforced PC housing, IP 67
- CE, UL325 and UL508 approved



Product Description

Through-beam photoelectric switch. Range up to 20 m. Immune to ambient light. Precise detection through narrow beam. LED-indication. Protection degree IP 67. Screw terminal connection. 25 x 65 x 81 mm plastic

housing. PG 13.5 or 1/2" NPT cable gland. With Mute Input on the transmitter the sensor fulfill EN12978

Ordering Key

PMT20 R G M

Type _____
Receiver _____
Cable gland _____
Mute Input _____

Type Selection

Housing W x H x D	Ordering no. Receiver without timer	Ordering no. Emitter
25 x 65 x 81 PG 13.5 cable gland 1/2" NPT cable gland	PMT 20R GM PMT 20R IM	PMT 20 GM PMT 20 IM



Specifications Emitter

Rated operational volt. (U_B) AC: 45 to 65 Hz	24 VDC ± 20% 24 VAC ± 20%
Rated operational power	≤ 1 W (1.2 VA)
Light source	GaAlAs LED, 880 nm
Light type	Infrared, modulated
Optical angle	± 2°
Indication Power supply ON	LED, green
Output function	Switch selectable, make or break switching

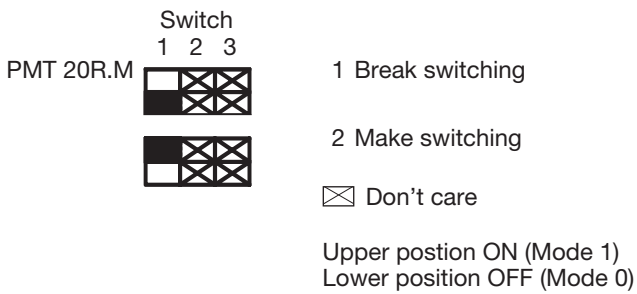
Specifications Receiver

Rated operational volt. (U_B) AC: 45 to 65 Hz	24 VDC ± 20% 24 VAC ± 20%
Rated operational power (Relay ON)	≤ 2 W (2.5 VA)
Output Contact ratings (AgCdO) Resistive loads Small inductive loads Mechanical life Electrical life	μ (micro gap) AC 1 3 A/250 VAC DC 1 3 A/30 VDC AC 15 2 A/250 VAC DC 13 3 A/30 VDC ≥ 40 x 10 ⁶ operations ≥ 5 x 10 ⁵ operations at 220 VAC - 3 A resistive load: 360 impulses/h
Dielectric voltage	2 kVAC (rms) (cont./supply)
Sensitivity	Adjustable, single turn pot.
Optical angle	± 2°
Rated operating dist. (S_n) (0 to 5,000 lux)	20 m
Operating frequency (f)	20 Hz
Response time OFF-ON (t _{ON}) ON-OFF (t _{OFF})	≤ 20 ms ≤ 20 ms
Power ON delay (t_v)	≤ 300 ms (typ. 100 ms)
Output function	Mute function

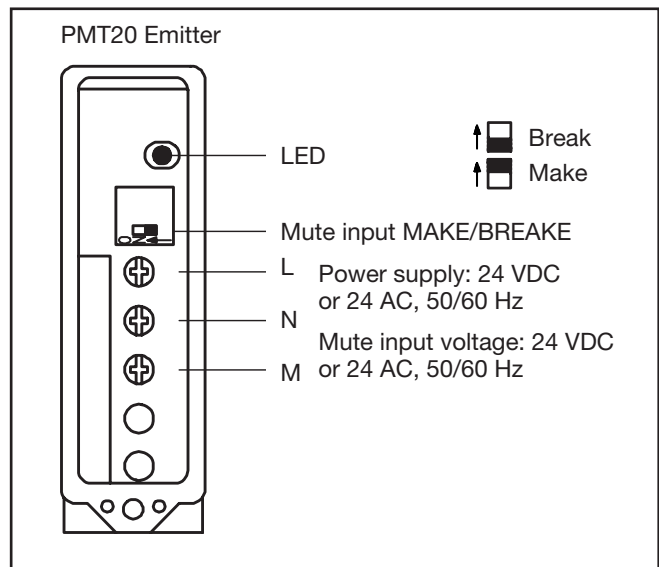
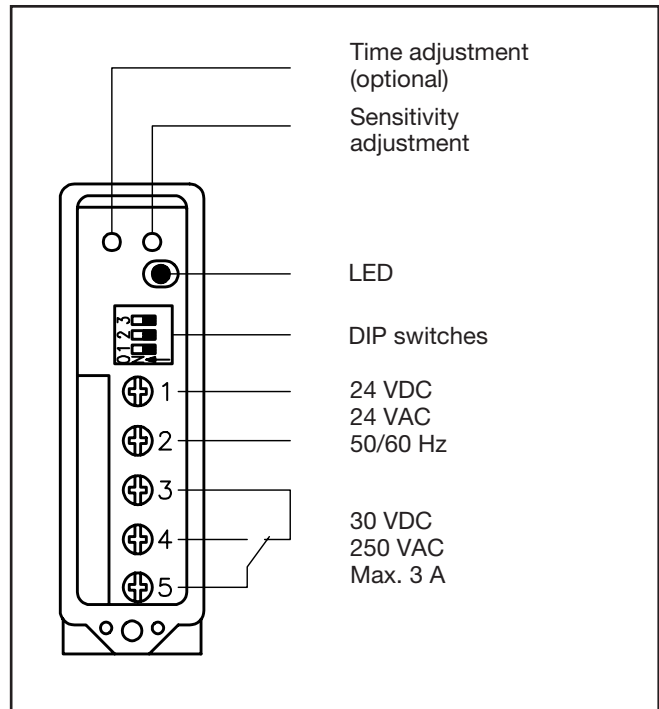
General Specifications

Environment	
Overvoltage category	III (IEC 60664/60664A, 60947-1)
Pollution degree	3 (IEC 60664/60664A, 60947-1)
Degree of protection	IP 67 (IEC 60529, 60947-1)
Temperature	
Operating	-25° to +55°C (-13° to +131°F)
Storage	-30° to +80°C (-22° to +176°F)
Vibration	10 to 150 Hz, 0.5 mm/7.5 g (IEC 60068-2-6)
Shock	2 x 1 m & 100 x 0.5 m (IEC 60068-2-32)
Housing material	
Body	PC, grey, reinforced
Front	PC, black
Cover	PC, black
Cable gland	PA, black, reinforced
Mounting bracket	Steel, black
Connection	
Screw terminal	5 x 2 x 1 mm ²
Cable gland	PG 13.5 or 1/2" NPT for cable 6 to 10 mm
Weight	
Emitter	110 g
Receiver	115 g
UL-Approval	 UL325, CSA-C22.2 No.247  UL508
CE-marking	Yes

Selection of Function

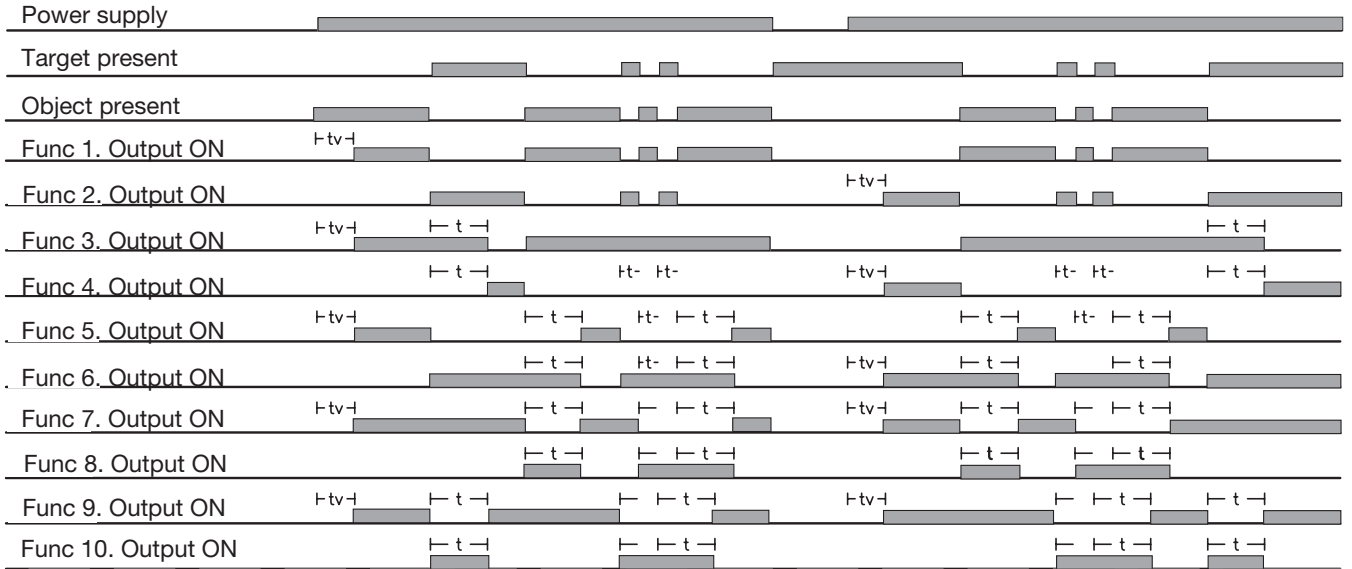


Connection Diagram

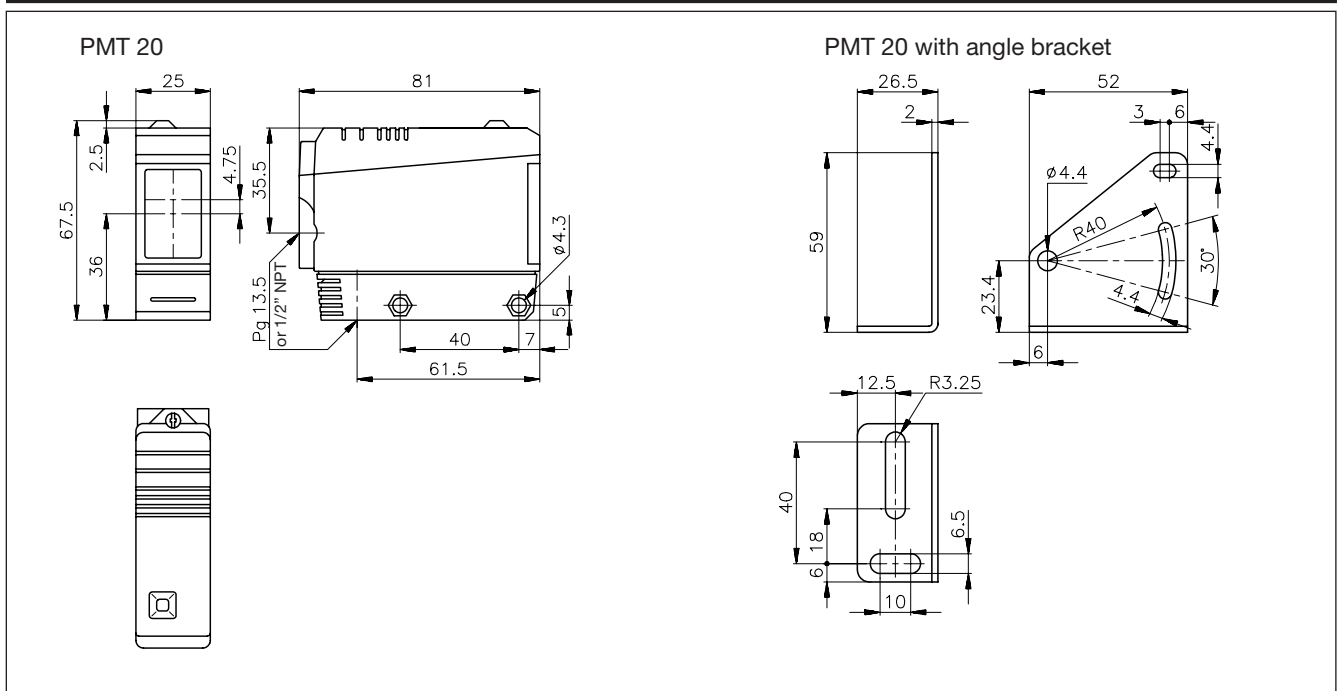


Operation Diagram

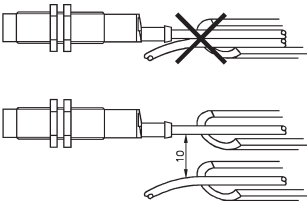
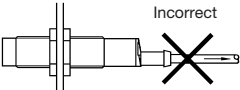
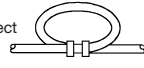
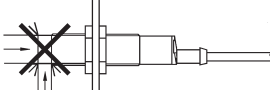
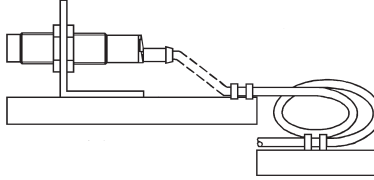
t = Time delay
tv = Power ON delay



Dimensions



Installation Hints

<p><i>To avoid interference from inductive voltage/current peaks, separate the prox. switch power cables from any other power cables, e.g. motor, contactor or solenoid cables</i></p> 	<p><i>Relief of cable strain</i></p> <p>Incorrect</p>  <p>Correct</p>  <p>The cable should not be pulled</p>	<p><i>Protection of the sensing face</i></p>  <p>A proximity switch should not serve as mechanical stop</p>	<p><i>Switch mounted on mobile carrier</i></p>  <p>Any repetitive flexing of the cable should be avoided</p>
--	--	--	---

Delivery Contents

- Photoelectric switch: PMT 20
- Cable gland
- Installation instruction
- Mounting bracket
- **Packaging:** Corrugated cardboard (environmentally friendly recycling material)

Accessories

- MB02 (longer mounting bracket)

X-ON Electronics

Largest Supplier of Electrical and Electronic Components

Click to view similar products for [Photoelectric Sensors](#) category:

Click to view products by [Carlo Gavazzi](#) manufacturer:

Other Similar products are found below :

[7442AD2X5FRX](#) [EX-19B-LP](#) [7443AR0X5FRX](#) [7452AD4D4NNX](#) [F3WD052C5M](#) [7655AR-04-F-1-2-RX](#) [7694ADE04DS2X](#) [FE7C-FRC6S-M](#) [PM-R24-R](#) [Q45VR2FPQ](#) [13104RQD07](#) [E3JUXM4MN](#) [E3L2DC4](#) [E3S3LE21](#) [E3SCT11M1J03M](#) [E3SDS20E21](#) [E3VDS70C43S](#)
[E3XNM16](#) [BR23P](#) [HOA6563-001](#) [OJ-3307-30N8](#) [OS-311A-30](#) [P32013](#) [P34036](#) [P43004](#) [P56001](#) [P60001](#) [PB10CNT15PO](#) [S14132](#) [935286-000](#) [S52101](#) [S56258](#) [SH-21E](#) [FD-SN500](#) [FE7B-FDRB6-M](#) [SU-79](#) [T36342](#) [T40300](#) [T60001](#) [PD60CNX20BP](#) [FX2-A3R](#) [FX-302-HY](#) [FZS](#)
[PM-T64W](#) [PX-22](#) [PZ2-51P](#) [CX-491-P-J](#) [CYNUTX10](#) [UZH802](#) [UZH803](#)