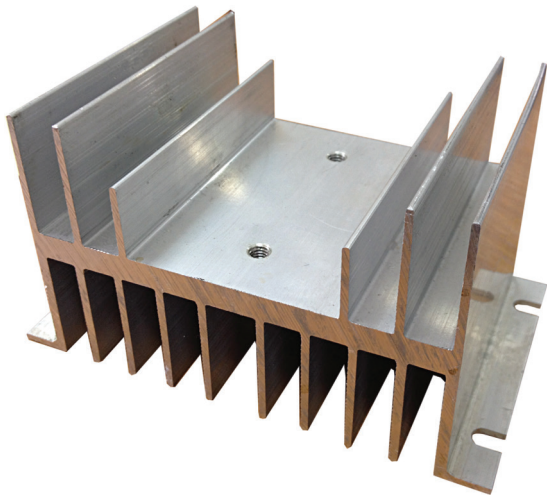


RHS10067D



Accessories: Heatsinks



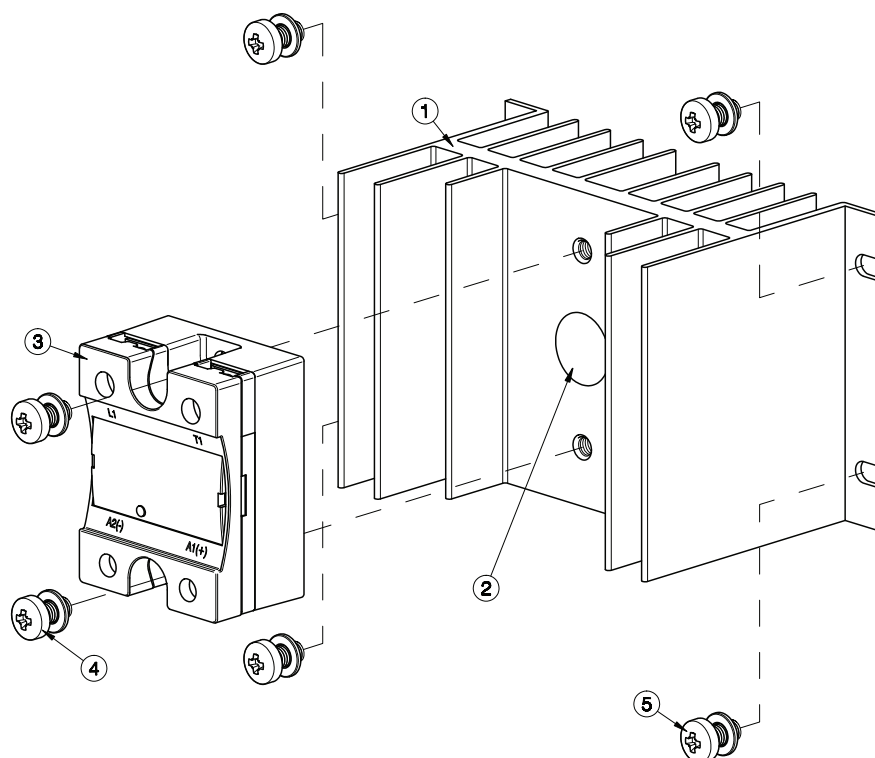
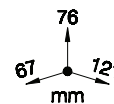
▶ Main features

- 1.7°C/W thermal resistance
- Suitable for mounting of 1-phase SSRs
- Panel mounting
- Dimensions W x H x D: 121 x 76 x 67 mm
- RoHS compliant

▶ Description

Heatsink assembly suitable for mounting of 1x 1-phase solid state relay (SSR). Suffix H58 added to SSR part no. refers to factory mounted heatsink. Conditions apply. Please ask your sales representative for further details.

Structure



Element	Component	Qty	RHS10067D
1	RHS10067D heatsink assembly	1	Provided
2	Thermal Compound or Pad	1	Not provided
3	1-phase SSR 45x59mm	1	Not provided
4	M5x10mm PZ2 + Washer	2	Provided
5	Panel Mounting Screws Ø5mm max.	4	Not provided

Note:

* 71mm for RK..C, 82mm for RK..P (including plug).

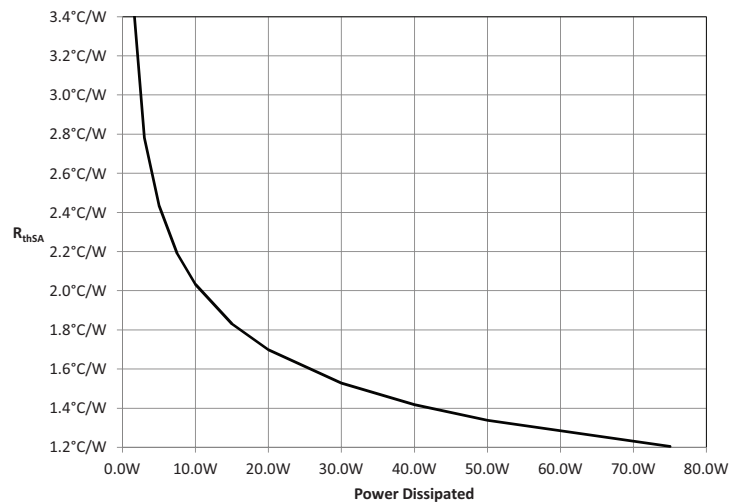
Dimensions including the SSR.

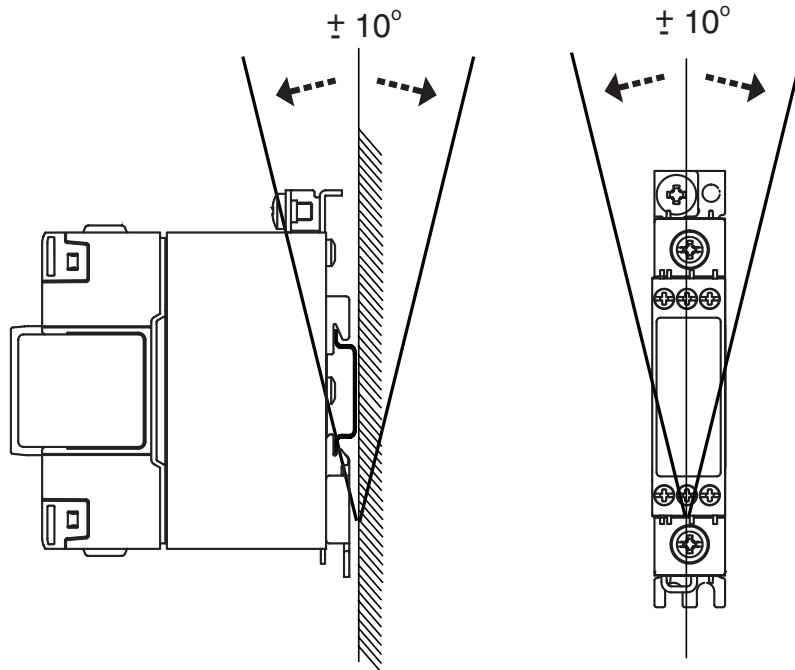
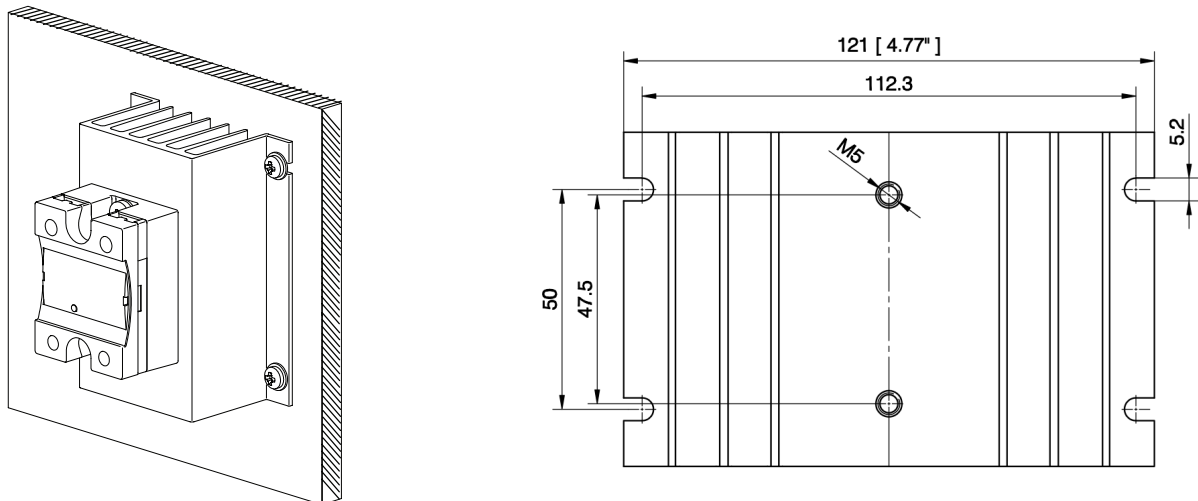
Features

General

SSR max. mounting torque	1.5Nm (13.3 lb-in)
Weight (excl. SSR)	approx. 335g
Material	Aluminium
Finish	None
Fan mounting	Not possible

Thermal resistance curve



Mounting position**Installation**

All dimensions in mm.
Illustrations are for example only.

Recommended maximum current rating (per SSR)


1. The below recommendations are only valid when the assembly (SSR + heatsink) is mounted as shown in the mounting instructions unless otherwise indicated.
2. The indicated ratings are applicable to one SSR, one pole. Please refer to the online selector tool at www.productselection.net for different load currents, surrounding temperatures or multiple units on one heatsink.
3. These recommendations are applicable only with the indicated Carlo Gavazzi thermal interface material between SSR and heatsink. In case a different thermal interface is utilised these recommendations may no longer be valid.

Pre-attached phase change paste

1x 2-pole SSR	Surrounding temperature							
	°C °F	20 68	30 86	40 104	50 122	60 140	70 158	80 176
RK 2.. (per pole)	50	36	32	28	24	20	16	12
	51	39.5	35	30.5	26	21.5	17	12.5
	75	44.5	39	34	29	24	18.5	13.5

 Thermal compound, HTS02S

1x 1-phase SSR	Surrounding temperature							
	°C °F	20 68	30 86	40 104	50 122	60 140	70 158	80 176
RA..L RA..T	10	10	10	10	10	10	10	-
	25	24.5	23.5	20.5	18	15	11.5	-
RA..	25	25	25	24.5	20.5	16.5	12.5	-
	50	40	37	32	26.5	21.5	16	-
	90	51.5	48.0	41	34	27	20	-
	110	57.5	53.5	45.5	37.5	29.5	22	-
RA60..	50	39.5	37	32	27	21.5	16.5	-
RA2A.. (per pole)	25	25	25	22.5	18	13.5	9	-
	40	30	28.5	25	19.5	14.5	9.5	-
	25M	25	25	22.5	18	13.5	9	-
	40M	30.5	29	25	19.5	14.5	9.5	-
RS1A..	10	10	10	10	9	7	5	-
	25	25	25	25	25	21	14.5	-
	40	40	40	37.5	30.5	23	15.5	-
RS1A..E	25	21	19.5	17	14.5	12	10	-
	40	24.5	23	20	17	14.5	11.5	-
RM1A.. RM1B.. RM1C..	25	25	25	25	25	21	14.5	-
	50	49	45	37.5	30.5	23	15.5	-
	75	58.5	54	45	36	27	18	-
	100	64.5	59.5	49	39	29	19.5	-
RM1A60.. RM1B60.. RM1C60.. RM1E60..	50	44	42	37.5	31	23.5	16	-
RAM1A.. RAM1B.. RM1E..	25	25	25	25	25	21	14.5	8
	50	49	45	37.5	30.5	23	15.5	8.5
	75	58.5	54	45	36	27	18	10
	100	58.5	54	45	36	27	18	10
	125	64.5	59.5	49	39	29	19.5	10.5
RM1D060	10	10	10	10	10	10	10	9
	20	20	20	20	20	20	17.5	9
	50	50	50	50	48	39	28.5	14.5
	100	100	97	86	73.5	59.5	43	21.5
RM1D200	20	20	20	20	20	17.5	15	12.5
	50	46.5	44.5	41	37	32.5	28	21.5
RM1D500	10	10	10	10	10	10	10	8

 Thermal pad, KK071CUT

1x 1-phase SSR	Surrounding temperature							
	°C °F	20 68	30 86	40 104	50 122	60 140	70 158	80 176
RA..L RA..T	10	10	10	10	10	10	10	-
	25	22	21	18.5	16	13.5	10.5	-
RA..	25	25	25	22.5	19	15.5	11.5	-
	50	36	33.5	29	24	19.5	14.5	-
	90	44	41	35.5	29.5	23.5	17.5	-
	110	49	45.5	39	32.5	25.5	19	-
RA60..	50	35.5	33.5	29	24.5	19.5	15	-
RA2A.. (per pole)	25	24.5	23	20.5	18	13.5	9	-
	40	27.5	26	23	20	15	10	-
	25M	24.5	23	20.5	18	13.5	9	-
	40M	28	26.5	23.5	20	15	10	-
RS1A..	10	10	10	10	8.5	6.5	5	-
	25	25	25	25	23.5	18	12.5	-
	40	40	38	31.5	25.5	19.5	13.5	-
RS1A..E	25	18.5	17.5	15.5	13	11	9	-
	40	21.5	20	17.5	15	12.5	10	-
RM1A.. RM1B.. RM1C..	25	25	25	25	23.5	18	12.5	-
	50	41	38	31.5	25.5	19.5	13.5	-
	75	47.5	43.5	36.5	29.5	22.5	15.5	-
	100	51.5	47.5	39.5	31.5	24	16.5	-
RM1A60.. RM1B60.. RM1C60.. RM1E60..	50	39.5	37.5	32	26	20	14	-
RAM1A.. RAM1B.. RM1E..	25	25	25	25	23.5	18	12.5	7
	50	41	38	31.5	25.5	19.5	13.5	7.5
	75	47.5	43.5	36.5	29.5	22.5	15.5	8.5
	100	47.5	43.5	36.5	29.5	22.5	15.5	8.5
	125	51.5	47.5	39.5	31.5	24	16.5	9
RM1D060	10	10	10	10	10	10	10	8.5
	20	20	20	20	20	20	16.5	8.5
	50	50	50	50	45	37	27	13.5
	100	93.5	89	79	68	55.5	40.5	20.5
RM1D200	20	20	20	20	18.5	16.5	14	11.5
	50	42	40.5	37.5	34	30	25.5	21
RM1D500	10	10	10	10	10	10	9.5	8



References

CARLO GAVAZZI compatible components

Purpose	Component name/code	Notes
Thermal pads	KK071CUT	Packing qty. 50 pcs.
Thermal compound	HTS02S	2.38 ml sachet of silicon based thermal compound
Screw Kits	SRWKITM5X10MM	Packing qty. 20 pcs.

Further reading

Information	Where to find it
Online heatsink selector tool	https://gavazziautomation.com/nsc/HQ/EN/solid_state_relays
Accessories	https://gavazziautomation.com/images/PIM/DATASHEET/ENG/SSR_Accessories.pdf

Order code



RHS10067D



COPYRIGHT ©2020
Content subject to change. Download the PDF: <https://gavazziautomation.com>

X-ON Electronics

Largest Supplier of Electrical and Electronic Components

Click to view similar products for [Heat Sinks](#) category:

Click to view products by [Carlo Gavazzi](#) manufacturer:

Other Similar products are found below :

[581102B00000G](#) [656-15ABPE](#) [657-20ABPNE](#) [7020B-TC12-MTG](#) [73452PPBA](#) [7G0011A](#) [PF720G](#) [A22-4026](#) [HAH10L](#) [1542616-1](#) [HS-2506-F1](#) [HS-87M0-F2](#) [218-40CTE3](#) [231-69PAB-15V](#) [25-7520](#) [SW50-4G](#) [231-75PAB-13V](#) [231-75PAB-15V](#) [253-122ABE-22](#) [PSC22CB](#) [CLP212SG](#) [CLP-7701G](#) [HAA083](#) [HAF10L](#) [HAQ10T](#) [D10100-28](#) [TO5-002D](#) [BDN183CBA01](#) [3-21053-4](#) [32438](#) [TX0506-1B](#) [TX1806B](#) [LAE66A3CB](#) [WA-DT2-101E](#) [511-3U](#) [73381PPBA](#) [73403PPBA](#) [7G0047C](#) [COMX-440-HSP](#) [510-12M](#) [D10650-40T5](#) [V8511 Y](#) [APF40-40-13CB/A01](#) [780653U04500G](#) [ATS-54310K-C2-R0](#) [FK 216 CB SA](#) [FK 231 SA 220](#) [648-51AB](#) [657-20ABPESC](#) [2341BG](#)