

RHS45C, RHS45CD



Accessories: Heatsinks



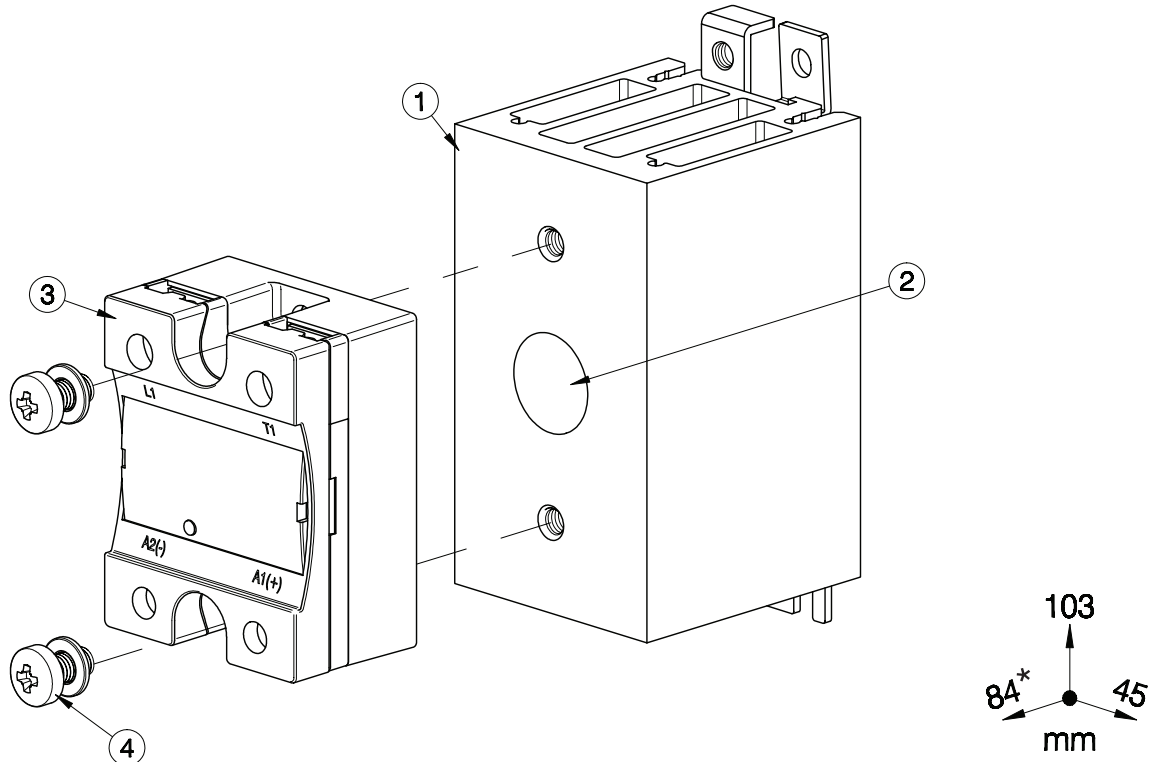
Main features

- 2.2°C/W thermal resistance
- Suitable for mounting of 1-phase SSRs
- DIN rail mounting
- Suitable for panel mounting
- Dimensions W x H x D: 45 x 103 x 55 mm
- RoHS compliant

Description

Heatsink assembly suitable for mounting of 1x 1-phase solid state relay (SSR). Suffix H15 added to SSR part no. refers to factory mounted heatsink. Conditions apply. Please ask your sales representative for further details.

Structure



| Element | Component | Qty | RHS45C | RHS45CD |
|---------|--------------------------|-----|--------------|--------------|
| 1 | RHS45C Heatsink Assembly | 1 | Provided | Provided |
| 2 | Thermal Compound HTS02S | 1 | Provided | Not provided |
| 3 | 1-phase SSR 45x59mm | 1 | Not provided | Not provided |
| 4 | M5x10mm PZ2 + Washer | 2 | Provided | Provided |

Note:

* 88mm for RK..C, 99mm for RK..P (including plug).

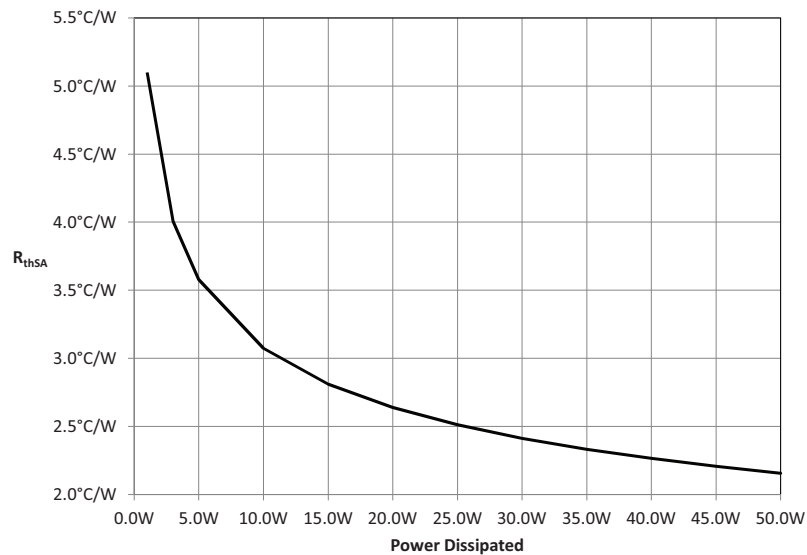
Dimensions including the SSR.

Features

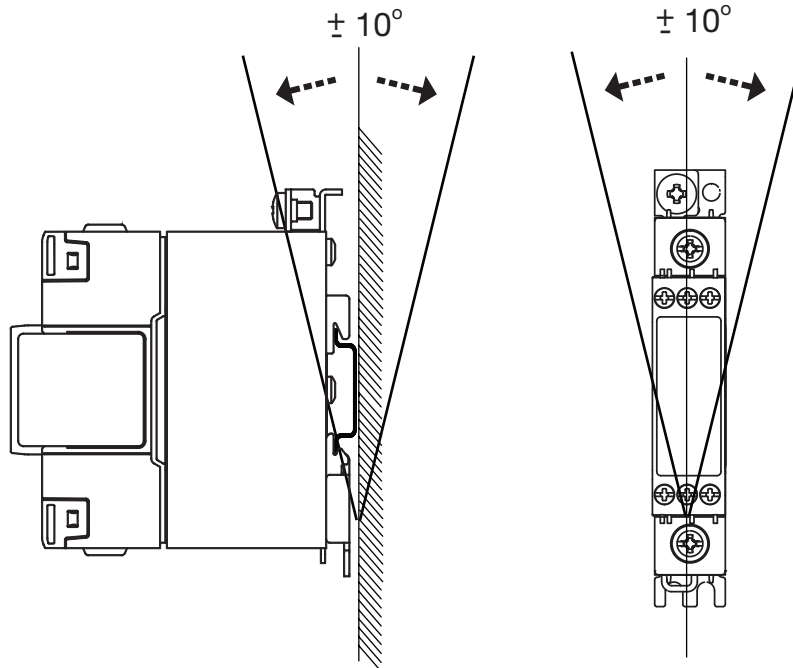
General

| | |
|---------------------------------|---------------------|
| SSR max. mounting torque | 1.5Nm (13.3 lb-in) |
| Weight (excl. SSR) | approx. 290g |
| Material | Aluminium |
| Finish | Black anodization |
| Fan mounting | Possible: RHSF40-24 |

Thermal resistance curve



Mounting position



Installation

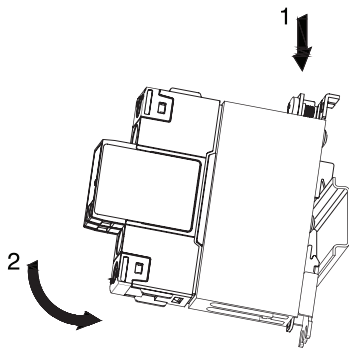


Fig. 1 Mounting on DIN rail

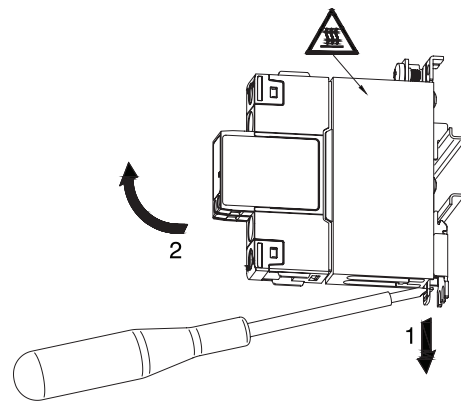


Fig. 2 Dismounting from DIN rail

Illustrations are for example only.

Recommended maximum current rating (per SSR)


1. The below recommendations are only valid when the assembly (SSR + heatsink) is mounted as shown in the mounting instructions unless otherwise indicated.
2. The indicated ratings are applicable to one SSR, one pole. Please refer to the online selector tool at www.productselection.net for different load currents, surrounding temperatures or multiple units on one heatsink.
3. These recommendations are applicable only with the indicated Carlo Gavazzi thermal interface material between SSR and heatsink. In case a different thermal interface is utilised these recommendations may no longer be valid.

Pre-attached phase change pad, RKHT

| 1x 2-pole SSR | Surrounding temperature | | | | | | | |
|---------------------|-------------------------|----------|----------|-----------|-----------|-----------|-----------|-----------|
| | °C °F | 20 68 | 30 86 | 40 104 | 50 122 | 60 140 | 70 158 | 80 176 |
| RK 2.. (per pole) | 50 | 24.5 | 22 | 19 | 16.5 | 13.5 | 11 | 8 |
| | 51 | 26.5 | 23.5 | 20.5 | 17.5 | 14.5 | 11.5 | 8.5 |
| | 75 | 29 | 26 | 22.5 | 19 | 15.5 | 12 | 9 |

 Thermal compound, HTS02S

| 1x 1-phase SSR | Surrounding temperature | | | | | | | |
|--|-------------------------|----------|----------|-----------|-----------|-----------|-----------|-----------|
| | °C °F | 20 68 | 30 86 | 40 104 | 50 122 | 60 140 | 70 158 | 80 176 |
| RD.. | 1 | 1 | 1 | 1 | 1 | 1 | 1 | - |
| | 5 | 5 | 5 | 5 | 5 | 5 | 5 | - |
| RA..L RA..T | 10 | 10 | 10 | 10 | 10 | 10 | 7.5 | - |
| | 25 | 20.5 | 19 | 17 | 14.5 | 11.5 | 7.5 | - |
| RA.. | 25 | 25 | 23.5 | 20.5 | 17 | 13.5 | 10.5 | - |
| | 50 | 31.5 | 29.5 | 25 | 21 | 16.5 | 12.5 | - |
| | 90 | 38.5 | 35.5 | 30.5 | 25 | 20 | 15 | - |
| | 110 | 42 | 39 | 33.5 | 27.5 | 21.5 | 16 | - |
| RA60.. | 50 | 31.5 | 29.5 | 25.5 | 21.5 | 17 | 13 | - |
| RA2A.. (per pole) | 25 | 19 | 17.5 | 14.5 | 11.5 | 8.5 | 6 | - |
| | 40 | 21 | 19 | 16 | 12.5 | 9.5 | 6.5 | - |
| | 25M | 19 | 17.5 | 14.5 | 11.5 | 8.5 | 6 | - |
| | 40M | 21 | 19 | 16 | 12.5 | 9.5 | 6 | - |
| RS1A.. | 10 | 10 | 10 | 9.5 | 7.5 | 6 | 4.5 | - |
| | 25 | 25 | 25 | 23.5 | 19 | 14.5 | 10 | - |
| | 40 | 33.5 | 30.5 | 25.5 | 20.5 | 15.5 | 10.5 | - |
| RS1A..E | 25 | 17 | 16 | 13.5 | 11.5 | 10 | 8 | - |
| | 40 | 19 | 18 | 15.5 | 13 | 11 | 8 | - |
| RM1A.. RM1B.. RM1C.. | 25 | 25 | 25 | 23.5 | 19 | 14.5 | 10 | - |
| | 50 | 33.5 | 30.5 | 25.5 | 20.5 | 15.5 | 10.5 | - |
| | 75 | 39.5 | 36 | 30 | 24 | 15 | 12.5 | - |
| | 100 | 42.5 | 39 | 32.5 | 26 | 19.5 | 13 | - |
| RM1A60.. RM1B60.. RM1C60.. RM1E60.. | 50 | 33.5 | 31 | 26.5 | 21.5 | 16 | 11 | - |
| RAM1A.. RAM1B.. RM1E.. | 25 | 25 | 25 | 23.5 | 19 | 14.5 | 10 | 5.5 |
| | 50 | 33.5 | 30.5 | 25.5 | 20.5 | 15.5 | 10.5 | 6 |
| | 75 | 39.5 | 36 | 30 | 24 | 15 | 12.5 | 7 |
| | 100 | 39.5 | 36 | 30 | 24 | 15 | 12.5 | 7 |
| | 125 | 42.5 | 39 | 32.5 | 26 | 19.5 | 13 | 7 |

 Thermal pad, KK071CUT

| 1x 1-phase SSR | Surrounding temperature | | | | | | | |
|--|-------------------------|----------|----------|-----------|-----------|-----------|-----------|-----------|
| | °C °F | 20 68 | 30 86 | 40 104 | 50 122 | 60 140 | 70 158 | 80 176 |
| RD.. | 1 | 1 | 1 | 1 | 1 | 1 | 1 | - |
| | 5 | 5 | 5 | 5 | 5 | 5 | 5 | - |
| RA..L RA..T | 10 | 10 | 10 | 10 | 10 | 10 | 7.5 | - |
| | 25 | 18.5 | 17.5 | 15.5 | 13.5 | 11 | 7.5 | - |
| RA.. | 25 | 24 | 22.5 | 19 | 16 | 13 | 10 | - |
| | 50 | 29.5 | 27.5 | 23.5 | 19.5 | 15.5 | 11.5 | - |
| | 90 | 35 | 32.5 | 28 | 23 | 18.5 | 13.5 | - |
| | 110 | 38 | 35.5 | 30.5 | 25 | 20 | 14.5 | - |
| RA60.. | 50 | 29.5 | 27.5 | 24 | 20 | 16 | 12 | - |
| RA2A.. (per pole) | 25 | 19 | 17.5 | 15 | 12 | 9 | 6 | - |
| | 40 | 21.5 | 19.5 | 16 | 13 | 9.5 | 6.5 | - |
| | 25M | 19 | 17.5 | 15 | 12 | 9 | 6 | - |
| | 40M | 21.5 | 19.5 | 16 | 13 | 9.5 | 6.5 | - |
| RS1A.. | 10 | 10 | 10 | 9 | 7.5 | 6 | 4 | - |
| | 25 | 25 | 25 | 24.5 | 17.5 | 13.5 | 9 | - |
| | 40 | 30 | 27.5 | 23 | 18.5 | 14 | 9.5 | - |
| RS1A..E | 25 | 15.5 | 14.5 | 12.5 | 11 | 9 | 7.5 | - |
| | 40 | 17 | 16 | 14 | 12 | 10 | 8 | - |
| RM1A.. RM1B.. RM1C.. | 25 | 25 | 25 | 24.5 | 17.5 | 13.5 | 9 | - |
| | 50 | 30 | 27.5 | 23 | 18.5 | 14 | 9.5 | - |
| | 75 | 35 | 32 | 27 | 21.5 | 16.5 | 11 | - |
| | 100 | 37.5 | 35 | 29 | 23 | 17.5 | 12 | - |
| RM1A60.. RM1B60.. RM1C60.. RM1E60.. | 50 | 30.5 | 28.5 | 24 | 19.5 | 15 | 10.5 | - |
| RAM1A.. RAM1B.. RM1E.. | 25 | 25 | 25 | 24.5 | 17.5 | 13.5 | 9 | 5 |
| | 50 | 30 | 27.5 | 23 | 18.5 | 14 | 9.5 | 5.5 |
| | 75 | 35 | 32 | 27 | 21.5 | 16.5 | 11 | 6 |
| | 100 | 35 | 32 | 27 | 21.5 | 16.5 | 11 | 6 |
| | 125 | 37.5 | 35 | 29 | 23 | 17.5 | 12 | 6.5 |



References

CARLO GAVAZZI compatible components

| Purpose | Component name/code | Notes |
|--------------------------|---------------------|--|
| Thermal pads | KK071CUT | Packing qty. 50 pcs. |
| Phase change thermal pad | RKHT | Packing qty. 10 pcs. |
| Thermal compound | HTS02S | 2ml syringe of silicone based thermal compound |
| Screw Kits | SRWKITM5X10MM | Packing qty. 20 pcs. |
| Fans | RHSF40-24 | 40x40mm, 24VDC |

Further reading

| Information | Where to find it |
|-------------------------------|---|
| Online heatsink selector tool | http://www.productselection.net/heatsink/heatsinkSelector.php?LANG=UK |
| Accessories | http://www.productselection.net/Pdf/UK/SSR_Accessories.pdf |

Order code



RHS45C

Enter the code entering the corresponding option instead of

| Code | Option | Description |
|--------------------------|--------|-------------------------------|
| R | - | |
| H | - | |
| S | - | |
| 4 | - | |
| 5 | - | |
| C | - | |
| <input type="checkbox"/> | | With thermal compound |
| | D | Thermal compound not included |



COPYRIGHT ©2016
Content subject to change. Download the PDF: www.productselection.net

X-ON Electronics

Largest Supplier of Electrical and Electronic Components

Click to view similar products for [Heat Sinks](#) category:

Click to view products by [Carlo Gavazzi](#) manufacturer:

Other Similar products are found below :

[581102B00000G](#) [630-35ABT3](#) [656-15ABPE](#) [657-20ABPNE](#) [7020B-TC12-MTG](#) [73452PPBA](#) [7721-13NG](#) [7G0011A](#) [FI306/SE](#) [PF720G](#)
[A22-4026](#) [120-1873-007](#) [HAH10L](#) [HF20](#) [1542256-2](#) [1542026-1](#) [1542616-1](#) [HS-2506-F1](#) [HS-87M0-F2](#) [218-40CTE3](#) [25-7520](#)
[188854F00000G](#) [F-QB-F1](#) [APA501-60-003](#) [253-122ABE-22](#) [PSC22CB](#) [CLP-201](#) [CLP212SG](#) [CLP-7701G](#) [HAA072](#) [HAA083](#) [HAF10L](#)
[HAQ10T](#) [D10100-28](#) [TO5-002D](#) [513101B02500G](#) [BDN183CBA01](#) [531202B0000](#) [HS-56M0-C1](#) [3-21053-4](#) [TX0506-1B](#) [TX1806B](#)
[336614B-00000](#) [V2004X](#) [LAE66A3CB](#) [WA-DT2-101E](#) [511-3U](#) [017177](#) [530510B00000G](#) [6110BG](#)