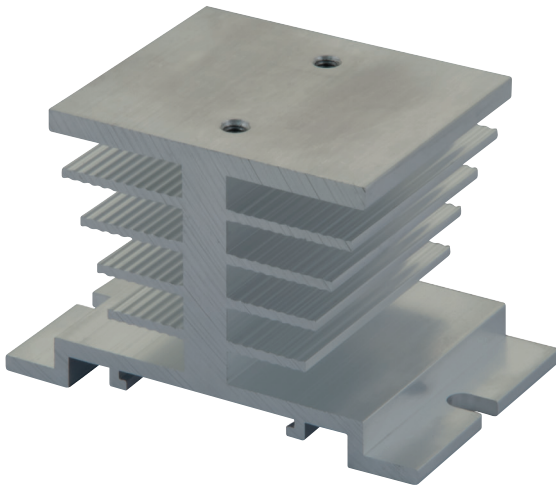


RHS5050D, RHS5050RFD



Accessories: Heatsinks



Main features

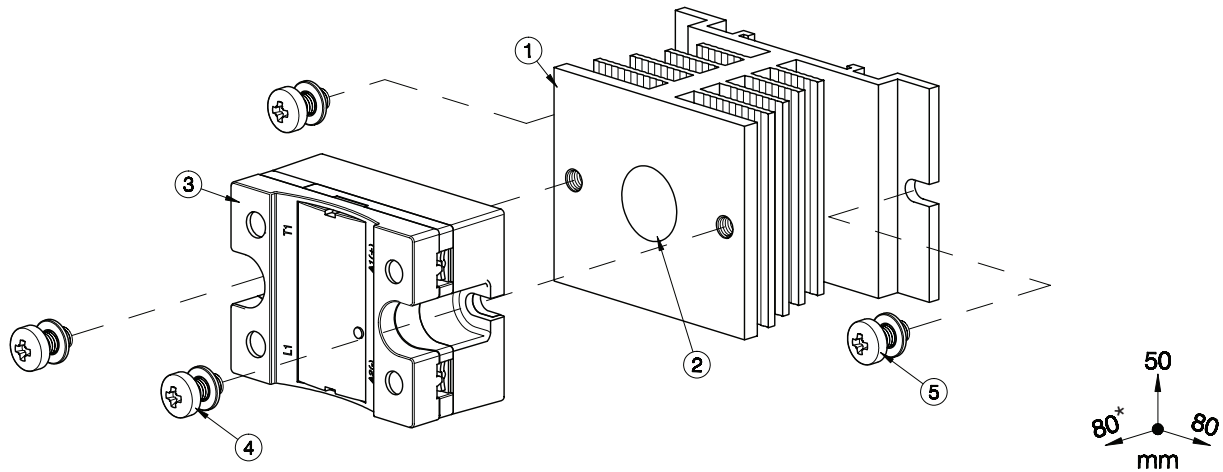
- 3.5°C/W thermal resistance
- Suitable for mounting of 1-phase SSRs
- Panel mounting
- Dimensions W x H x D: 80 x 50 x 51 mm
- RoHS compliant

Description

Heatsink assembly suitable for mounting of 1x 1-phase solid state relay (SSR). Suffix H60 added to SSR part no. refers to factory mounted heatsink. Conditions apply. Please ask your sales representative for further details.

Structure

RHS5050D



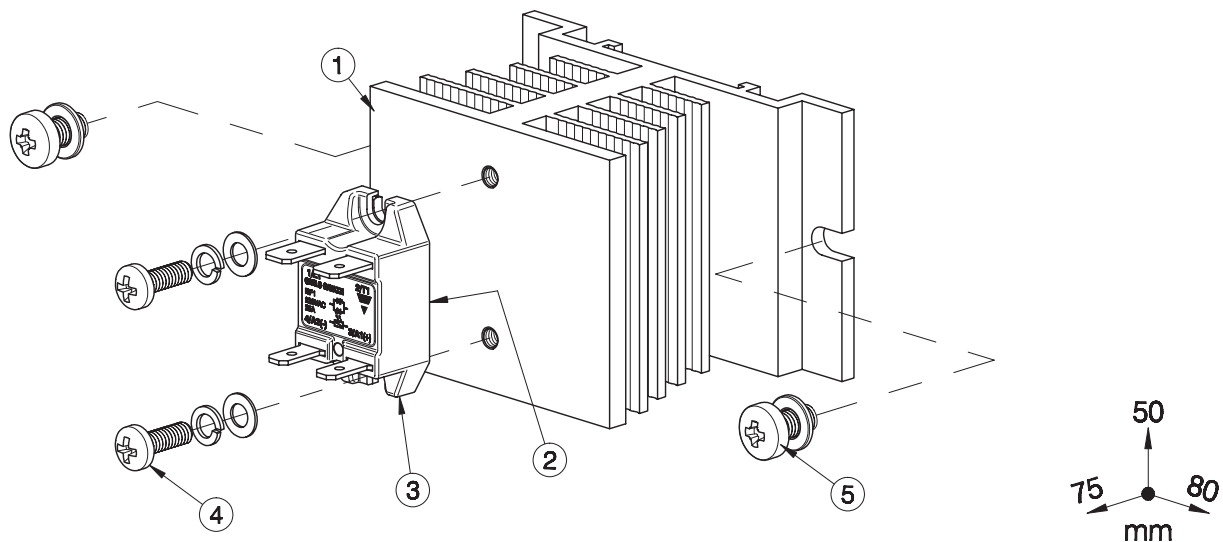
Element	Component	Qty	RHS5050D
1	RHS5050D heatsink assembly	1	Provided
2	Thermal Compound or Pad	1	Not provided
3	1-phase SSR 45x59mm	1	Not provided
4	M5x10mm PZ2 + Washer	2	Provided
5	Panel Mounting Screws Ø5mm max.	2	Not provided

Note:

* 84mm for RK..C, 95mm for RK..P (including plug).

Dimensions including the SSR.

RHS5050RFD



Element	Component	Qty	RHS5050RFD
1	RHS5050RFD heatsink assembly	1	Provided
2	Phase change thermal pad	1	Pre-attached to RF1
3	1-phase SSR 21x36mm	1	Not provided
4	M4x12mm PZ2 + Washer	2	Provided
5	Panel Mounting Screws Ø5mm max.	2	Not provided

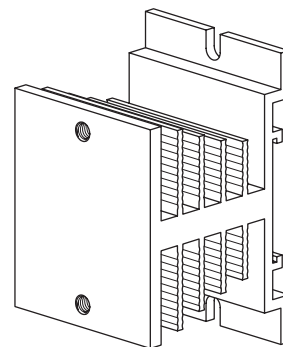
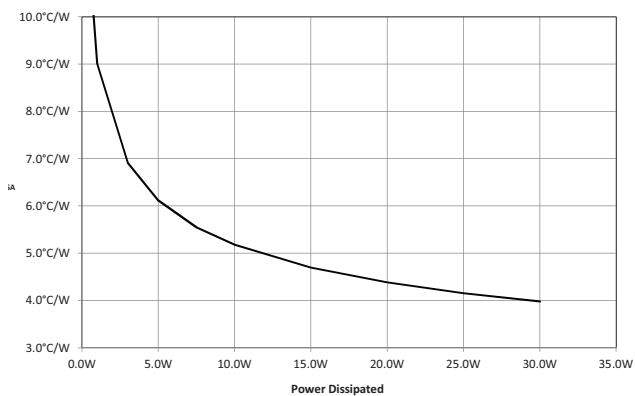
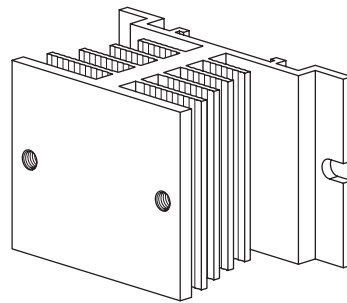
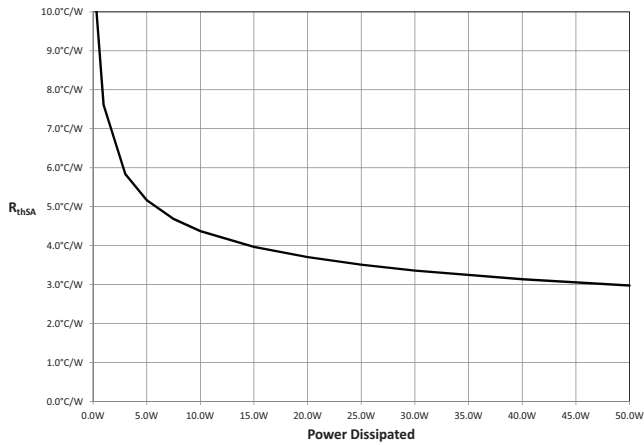
Dimensions including the SSR.

Features

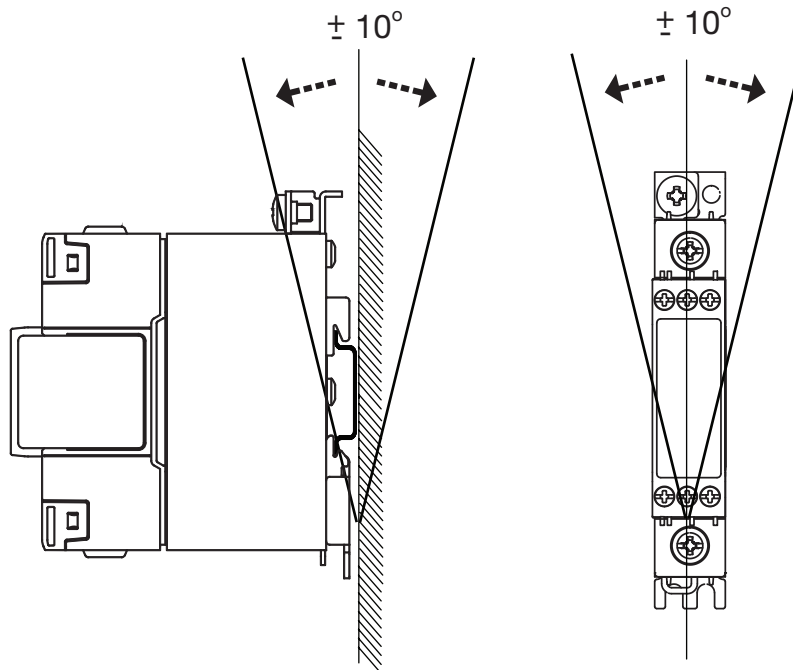
General

SSR max. mounting torque	1.5Nm (13.3 lb-in)
Weight (excl. SSR)	approx. 165g
Material	Aluminium
Finish	None
Fan mounting	Not possible

Thermal resistance curve

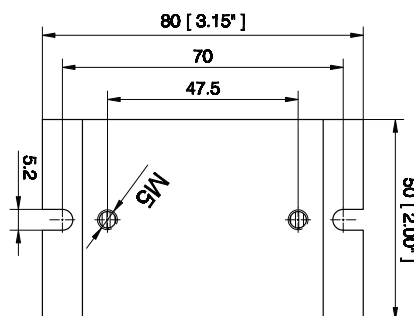
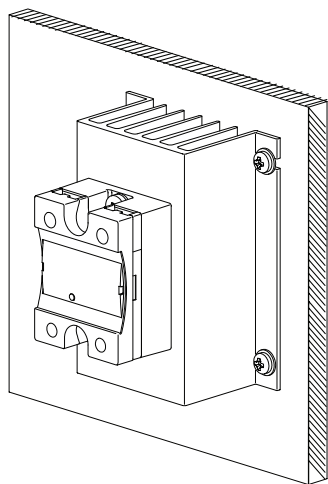


▶ Mounting position

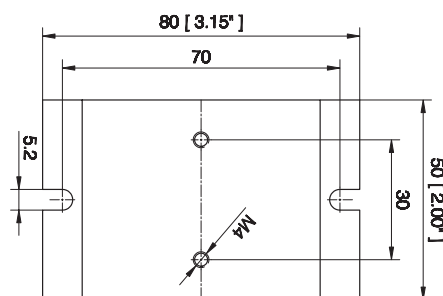


Installation

RHS5050D



RHS5050RFD



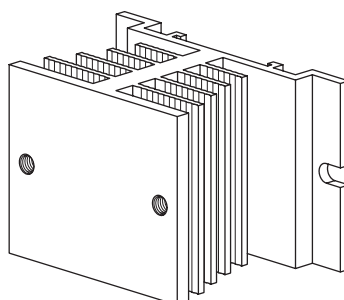
All dimensions in mm.
Illustrations are for example only.



Recommended maximum current rating (per SSR)

1. The below recommendations are only valid when the assembly (SSR + heatsink) is mounted as shown in the mounting instructions unless otherwise indicated.
2. The indicated ratings are applicable to one SSR, one pole. Please refer to the online selector tool at www.productselection.net for different load currents, surrounding temperatures or multiple units on one heatsink.
3. These recommendations are applicable only with the indicated Carlo Gavazzi thermal interface material between SSR and heatsink. In case a different thermal interface is utilised these recommendations may no longer be valid.

The results indicated below apply when heatsink is mounted in the indicated orientation:



Pre-attached phase change pad, RKHT


1x 2-pole SSR	Surrounding temperature							
	°C	20	30	40	50	60	70	80
	°F	68	86	104	122	140	158	176
RK 2.. (per pole)	50	19	17	14.5	12.5	10	8	6
	51	20	17.5	15.5	13	10.5	8.5	6
	75	22	19	16.5	14	11.5	9	6.5

Pre-attached phase change pad, RFHT

1x 1-phase SSR	Surrounding temperature							
	°C	20	30	40	50	60	70	80
	°F	68	86	104	122	140	158	176
RF1	25	20	17.5	15	12.5	9.5	6	3


 Thermal compound, HTS02S

1x 1-phase SSR	Surrounding temperature							
	°C °F	20 68	30 86	40 104	50 122	60 140	70 158	80 176
RD..	1	1	1	1	1	1	1	-
	5	5	5	5	5	5	4.5	-
RA..L RA..T	10	10	10	10	10	8	4.5	-
	25	17	16	14	11	8	4.5	-
RA..	25	21.5	20	17	14.5	11.5	8.5	-
	50	26	24	20.5	17	13.5	10	-
	90	31	28.5	24.5	20	15.5	11.5	-
	110	33.5	31	26.5	21.5	17	12.5	-
RA60..	50	26.5	24.5	21	17.5	14	10.5	-
RA2A.. (per pole)	25	14	13	10.5	8.5	6	4	-
	40	15.5	14	11.5	9	6.5	4.5	-
	25M	14	13	10.5	8.5	6.0	4	-
	40M	15.5	14	11.5	9	6.5	4.5	-
RS1A..	10	10	9.5	8	6.5	5	3.5	-
	25	23	21.5	18	14.5	11	7.5	-
	40	25	23	19	15	11.5	7.5	-
RS1A..E	25	13.5	13	11	9.5	8	5.5	-
	40	15	14	12	10.5	7.5	5	-
RM1A.. RM1B.. RM1C..	25	23	21.5	18	14.5	11	7.5	-
	50	25	23	19	15.0	11.5	7.5	-
	75	30	27.5	22.5	18	13.5	9	-
	100	32	29.5	24.5	19.5	14.5	9.5	-
RM1A60.. RM1B60.. RM1C60.. RM1E60..	50	25.5	23.5	20	16	12	8	-
RAM1A.. RAM1B.. RM1E..	25	23	21.5	18	14.5	11	7.5	4
	50	25	23	19	15	11.5	7.5	4
	75	30	27.5	22.5	18	13.5	9	5
	100	30	27.5	22.5	18	13.5	9	5
	125	32	29.5	24.5	19.5	14.5	9.5	5

 Thermal pad, KK071CUT

1x 1-phase SSR	Surrounding temperature							
	°C °F	20 68	30 86	40 104	50 122	60 140	70 158	80 176
RD..	1	1	1	1	1	1	1	-
	5	5	5	5	5	5	4.5	-
RA..L RA..T	10	10	10	10	10	8	5	-
	25	15.5	15	13	11	8	5	-
RA..	25	20.5	19.5	16.5	14	11	8	-
	50	25	23	19.5	16.5	13	9.5	-
	90	29	27	23	19	15	11	-
	110	31.5	29	24.5	20.5	16	11.5	-
RA60..	50	25	23.5	20	16.5	13.5	10	-
RA2A.. (per pole)	25	14	13	11	8.5	6.5	4	-
	40	15.5	14.5	12	9	7	4.5	-
	25M	14	13	11	8.5	6.5	4	-
	40M	15.5	14.5	11.5	9	7	4.5	-
RS1A..	10	10	9	8	6.5	5	3.5	-
	25	22	20	17	13.5	10.5	7	-
	40	23.5	21.5	18	14.5	10.5	7	-
RS1A..E	25	12.5	12	10.5	9	7.5	5.5	-
	40	14	13	11	9.5	8	5	-
RM1A.. RM1B.. RM1C..	25	22	20	17	13.5	10.5	7	-
	50	23.5	21.5	18	14.5	10.5	7	-
	75	27.5	25.5	21	17	12.5	8.5	-
	100	30	27.5	22.5	18	13.5	9	-
RM1A60.. RM1B60.. RM1C60.. RM1E60..	50	24	22	18.5	15	11.5	7.5	-
RAM1A.. RAM1B.. RM1E..	25	22	20	17	13.5	10.5	7	4
	50	23.5	21.5	18	14.5	10.5	7	4
	75	27.5	25.5	21	17	12.5	8.5	4.5
	100	27.5	25.5	21	17	12.5	8.5	4.5
	125	30	27.5	22.5	18	13.5	9	5



References

CARLO GAVAZZI compatible components

Purpose	Component name/code	Notes
Thermal pads	KK071CUT	Packing qty. 50 pcs.
Phase change thermal pad	RKHT, RFHT	Packing qty. 10 pcs.
Thermal compound	HTS02S	2ml syringe of silicone based thermal compound
Screw Kits	SRWKITM5X10MM	Packing qty. 20 pcs.

Further reading

Information	Where to find it
Online heatsink selector tool	http://www.productselection.net/heatsink/heatsinkSelector.php?LANG=UK
Accessories	http://www.productselection.net/Pdf/UK/SSR_Accessories.pdf

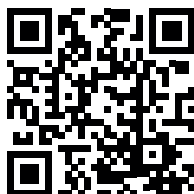
Order code



RHS5050

Enter the code entering the corresponding option instead of

Code	Option	Description
R	-	
H	-	
S	-	
5	-	
0	-	
5	-	
0	-	
<input type="checkbox"/>	D	Suitable only for SSRs with a mounting pitch of 47.5mm such as the RA, RK, RD, RS, RM and RAM series
	RFD	Suitable only for SSRs with a mounting pitch of 30mm such as the RF1 series



COPYRIGHT ©2016
Content subject to change. Download the PDF: www.productselection.net

X-ON Electronics

Largest Supplier of Electrical and Electronic Components

Click to view similar products for [Heat Sinks](#) category:

Click to view products by [Carlo Gavazzi](#) manufacturer:

Other Similar products are found below :

[581102B00000G](#) [630-35ABT3](#) [656-15ABPE](#) [657-20ABPNE](#) [7020B-TC12-MTG](#) [73452PPBA](#) [7721-13NG](#) [7G0011A](#) [FI306/SE](#) [PF720G](#)
[A22-4026](#) [120-1873-007](#) [HAH10L](#) [HF20](#) [1542256-2](#) [1542026-1](#) [1542616-1](#) [HS-2506-F1](#) [HS-87M0-F2](#) [218-40CTE3](#) [25-7520](#)
[188854F00000G](#) [F-QB-F1](#) [APA501-60-003](#) [253-122ABE-22](#) [PSC22CB](#) [CLP-201](#) [CLP212SG](#) [CLP-7701G](#) [HAA072](#) [HAA083](#) [HAF10L](#)
[HAQ10T](#) [D10100-28](#) [TO5-002D](#) [513101B02500G](#) [BDN183CBA01](#) [531202B0000](#) [HS-56M0-C1](#) [3-21053-4](#) [TX0506-1B](#) [TX1806B](#)
[336614B-00000](#) [V2004X](#) [LAE66A3CB](#) [WA-DT2-101E](#) [511-3U](#) [017177](#) [530510B00000G](#) [6110BG](#)