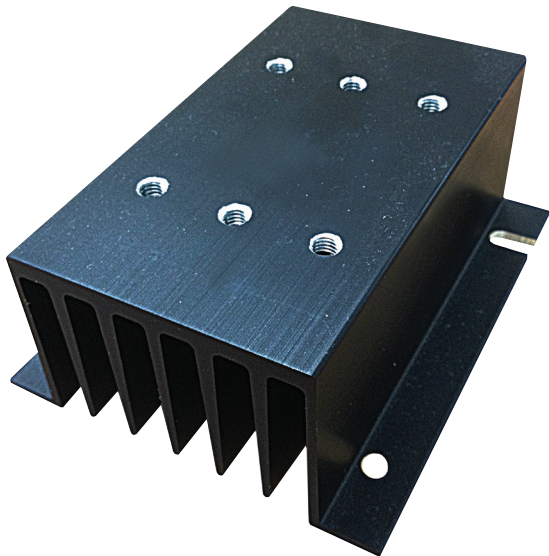


RHS5840D



Accessories: Heatsinks



Main features

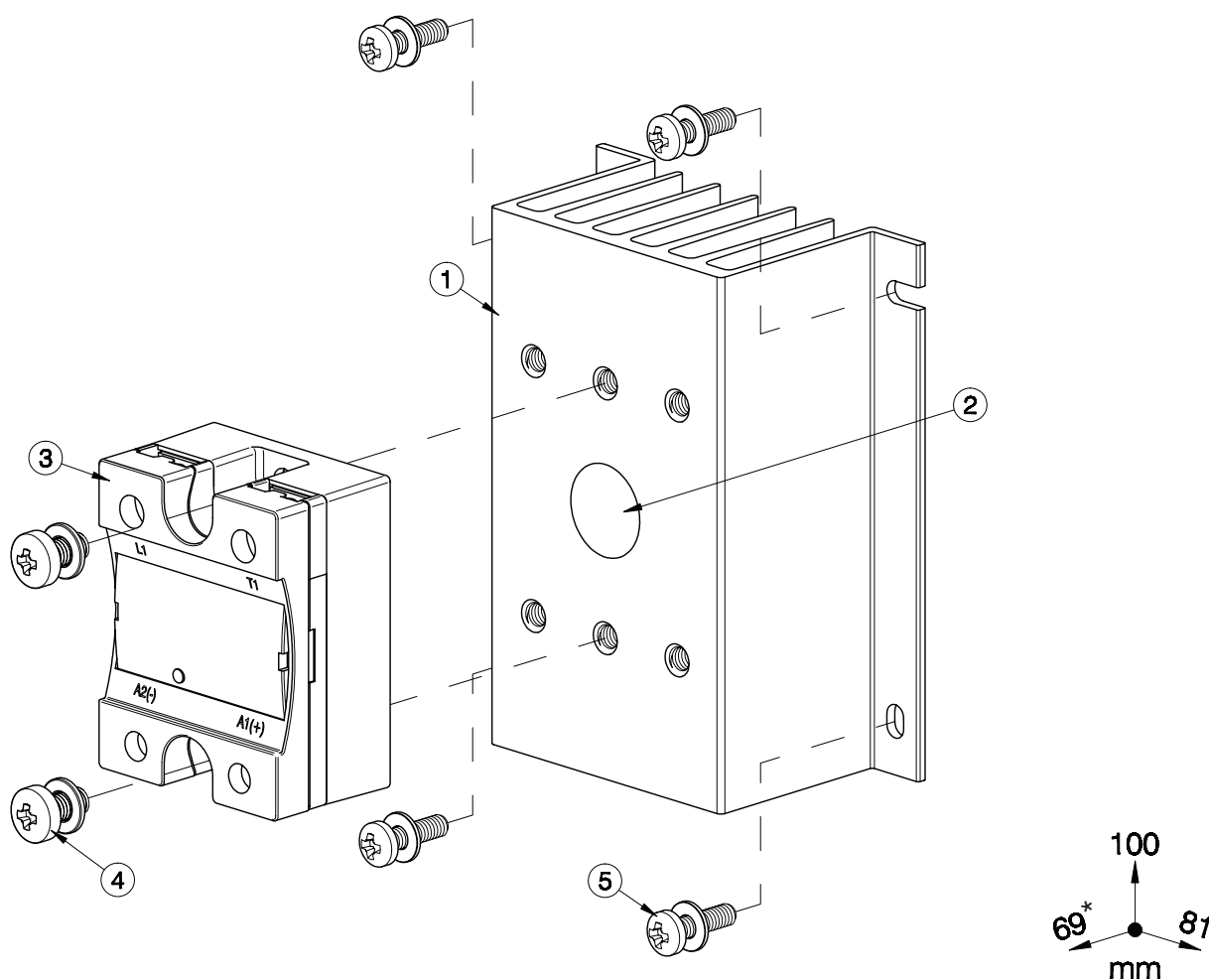
- 1.8°C/W thermal resistance
- Suitable for mounting of 3x 1-phase SSRs
- Panel mounting
- Dimensions W x H x D: 81 x 100 x 40 mm
- RoHS compliant

Description

Heatsink assembly suitable for mounting of maximum 3x 1- phase solid state relay (SSRs). Suffix H48 added to SSR part no. refers to factory mounted heatsink. Conditions apply. Please ask your sales representative for further details.

Structure

1-phase SSR

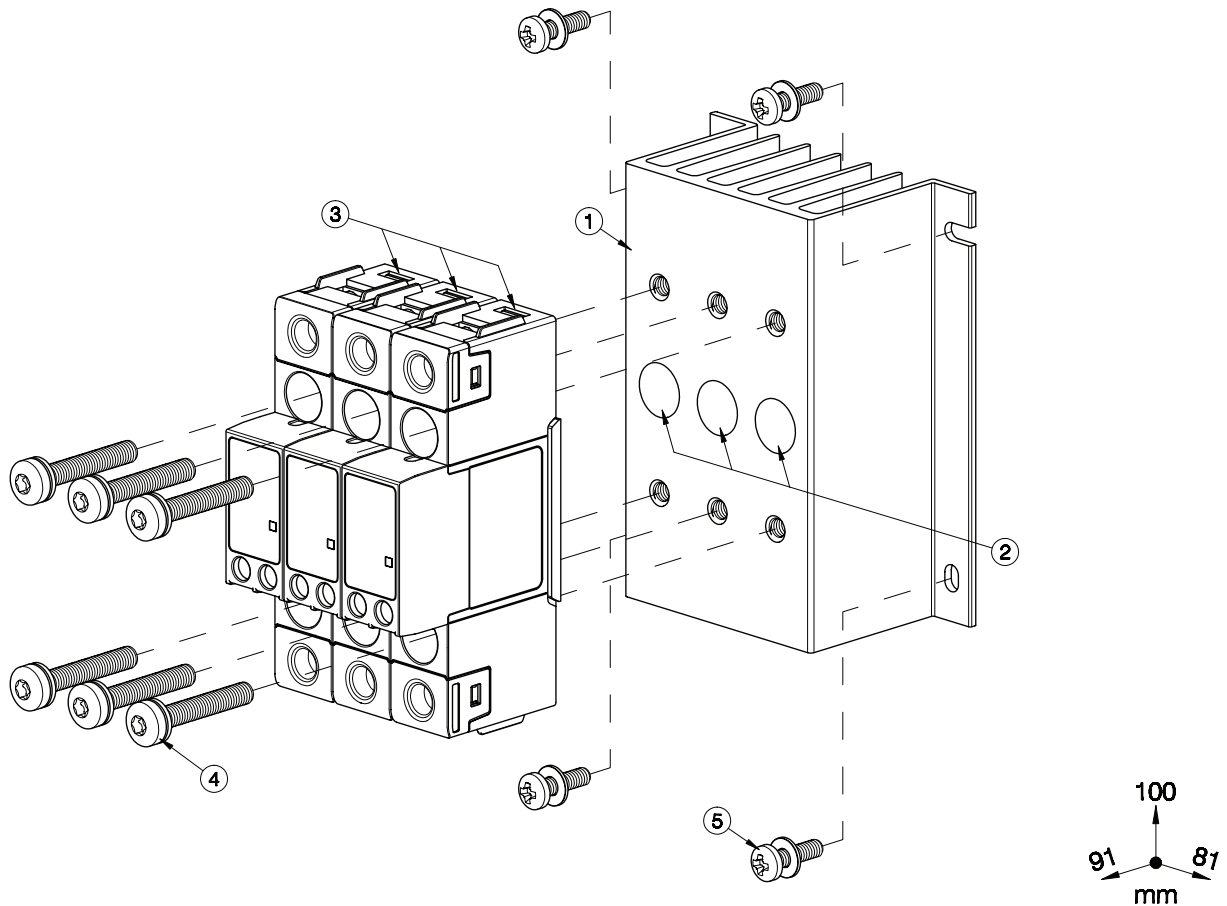


| Element | Component | Qty | RHS5840D |
|---------|---------------------------------|-----|--------------|
| 1 | RHS5840D heatsink assembly | 1 | Provided |
| 2 | Thermal Compound or Pad | 1 | Not provided |
| 3 | 1-phase SSR 45x59mm | 1 | Not provided |
| 4 | M5x10mm PZ2 + Washer | 2 | Not provided |
| 5 | Panel Mounting Screws Ø4mm max. | 4 | Not provided |

Note:

* 73mm for RK..C, 84mm for RK..P (including plug).

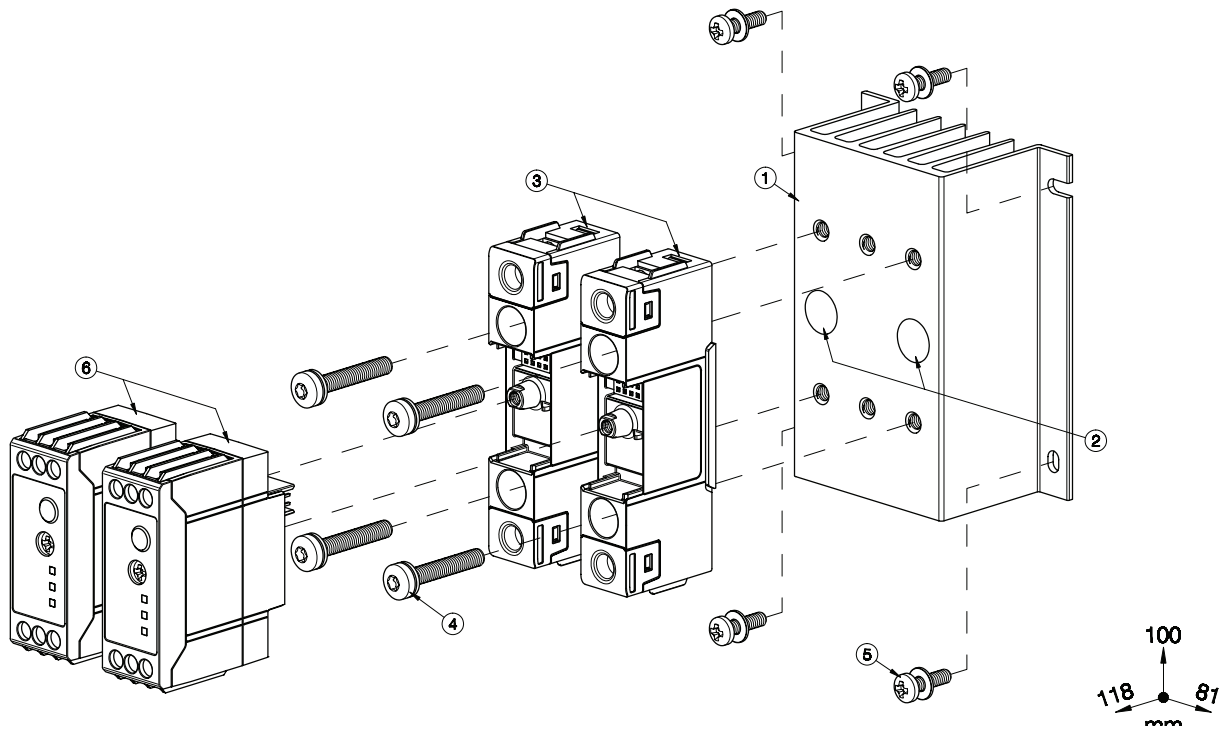
Dimensions including the SSR.


RGS1 18mm Module


| Element | Component | Qty | RHS5840D |
|---------|-------------------------------------|-----|--------------|
| 1 | RHS5840D heatsink assembly | 1 | Provided |
| 2 | Thermal Compound or Pad | 1 | Not provided |
| 3 | RGS1 SSR 18x90mm (max.) | 3 | Not provided |
| 4 | M5x30mm Torx T20 + Washer (per SSR) | 2 | Not provided |
| 5 | Panel Mounting Screws Ø4mm max. | 4 | Not provided |

Note:
Dimensions including the SSR.

RGS1 22.5mm Module


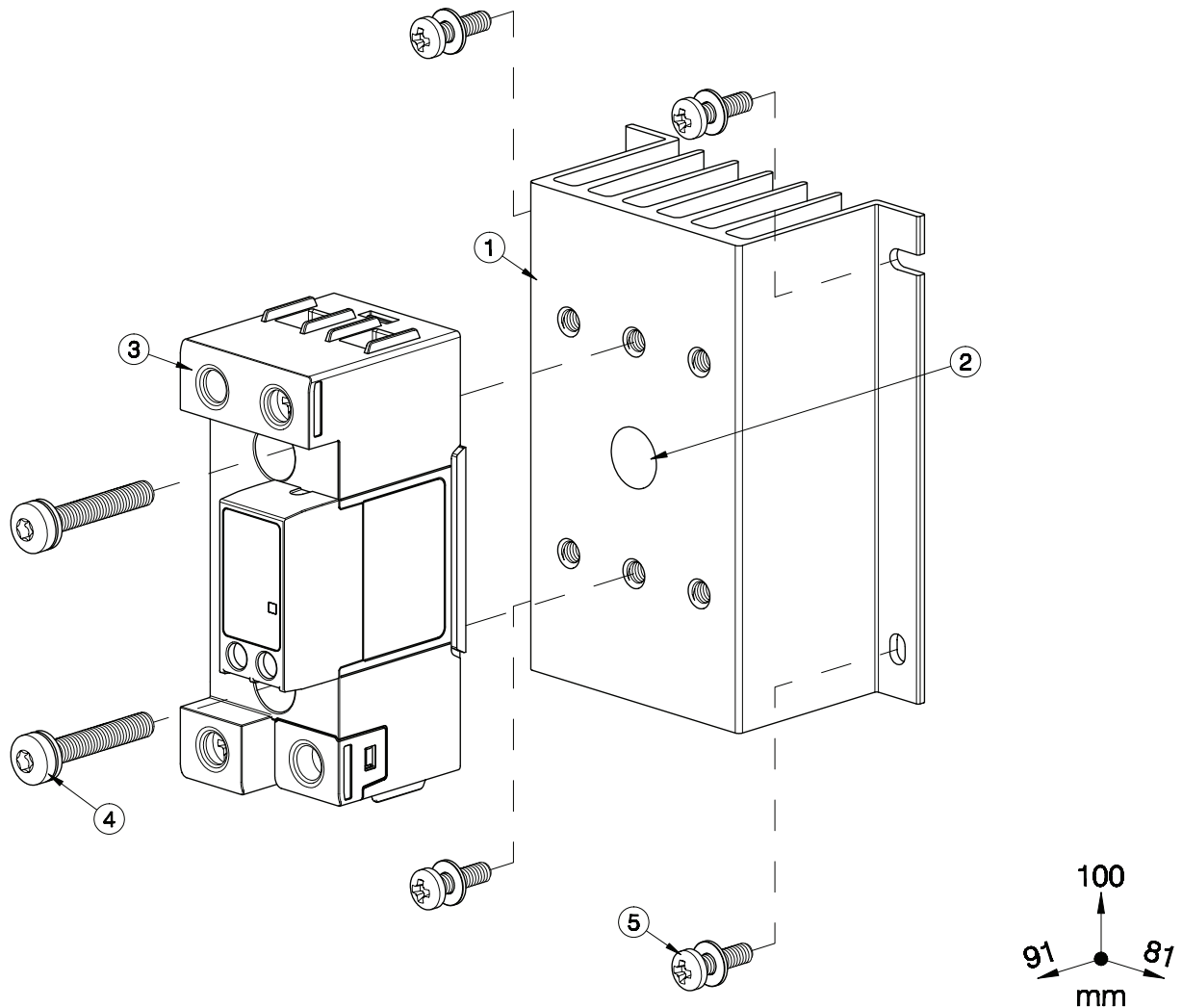


| Element | Component | Qty | RHS5840D |
|---------|---------------------------------------|-----|--------------|
| 1 | RHS5840D heatsink assembly | 1 | Provided |
| 2 | Thermal Compound or Pad | 1 | Not provided |
| 3 | RGS1 Power Module 18x90mm (max.) | 2 | Not provided |
| 4 | M5x30mm Torx T20 + Washer (per SSR) | 2 | Not provided |
| 5 | Panel Mounting Screws Ø4mm max. | 4 | Not provided |
| 6 | RGS1S Control Module 22.5x65mm (max.) | 2 | Not provided |

Note:

Dimensions including the SSR.

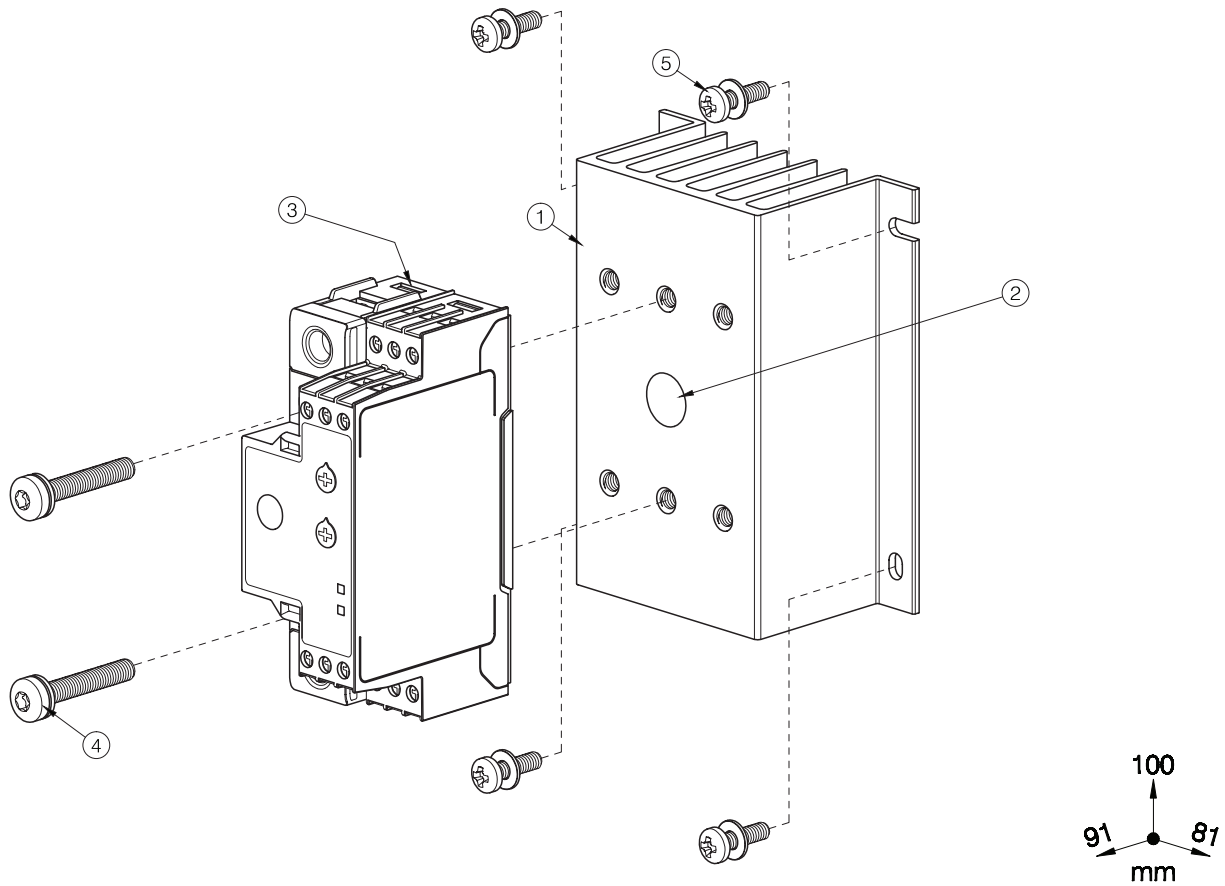
When only 1 SSR is utilized it shall be mounted at the centre of the heatsink.


RGS1 35mm Module


| Element | Component | Qty | RHS5840D |
|---------|---------------------------------|-----|--------------|
| 1 | RHS5840D heatsink assembly | 1 | Provided |
| 2 | Thermal Compound or Pad | 1 | Not provided |
| 3 | RGS1 or RGS1S SSR 36x90mm | 1 | Not provided |
| 4 | M5x30mm Torx T20 + Washer | 2 | Not provided |
| 5 | Panel Mounting Screws Ø4mm max. | 4 | Not provided |

Note:
Dimensions including the SSR.

RGS1P 35mm Module



| Element | Component | Qty | RHS5840D |
|---------|---------------------------------|-----|--------------|
| 1 | RHS5840D heatsink assembly | 1 | Provided |
| 2 | Thermal Compound or Pad | 1 | Not provided |
| 3 | RGS1P SSR 35x90mm | 1 | Not provided |
| 4 | M5x30mm Torx T20 + Washer | 2 | Not provided |
| 5 | Panel Mounting Screws Ø4mm max. | 4 | Not provided |

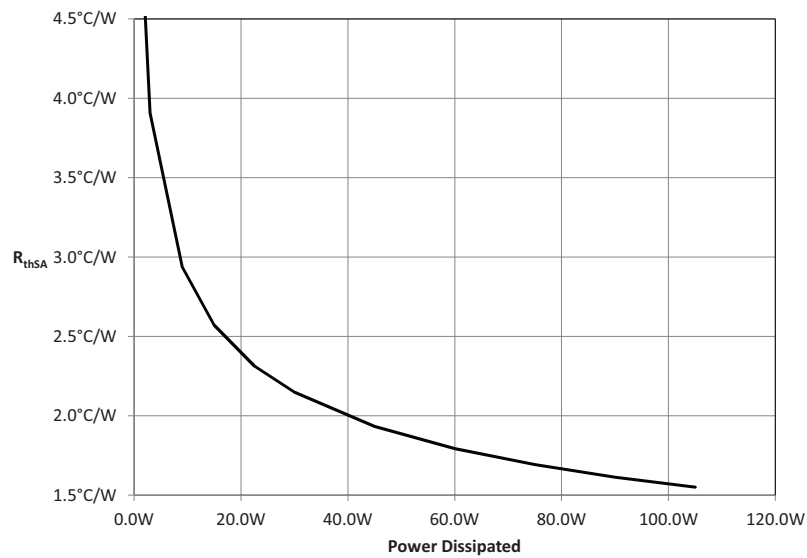
Note:
Dimensions including the SSR.

Features

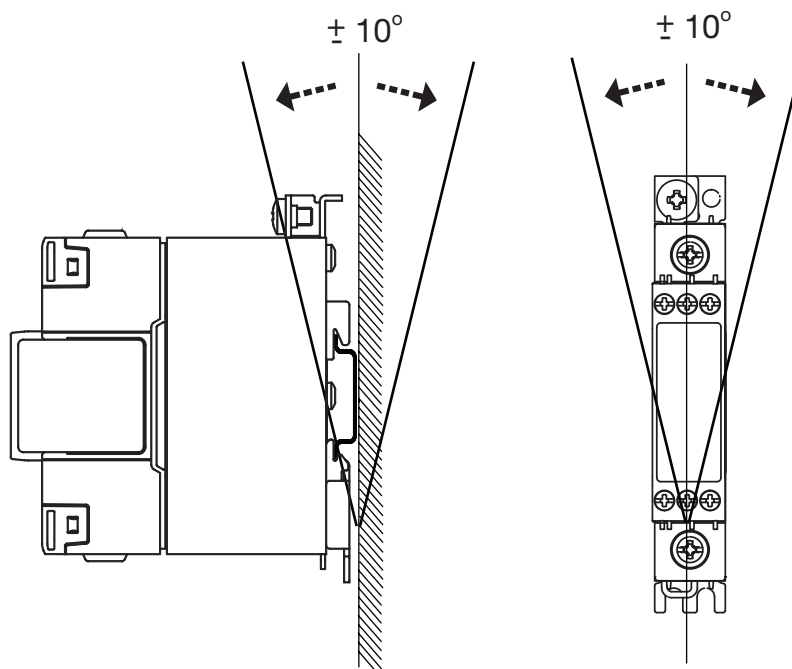
General

| | |
|--------------------------|--------------------|
| SSR max. mounting torque | 1.5Nm (13.3 lb-in) |
| Weight (excl. SSR) | approx 225g |
| Material | Aluminium |
| Finish | Black anodization |
| Fan mounting | Not possible |

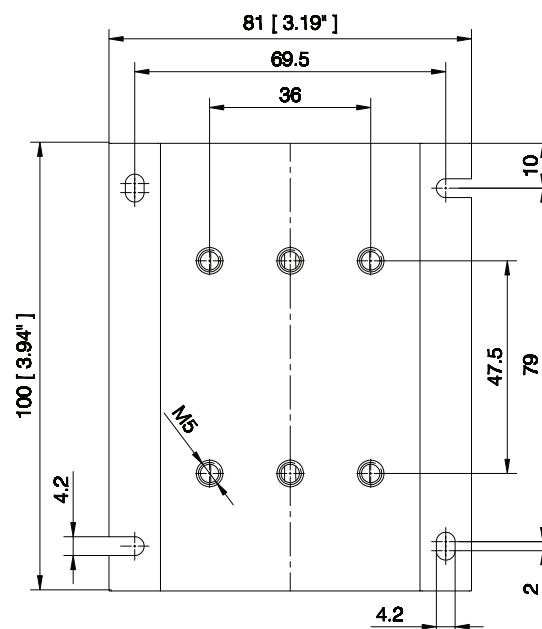
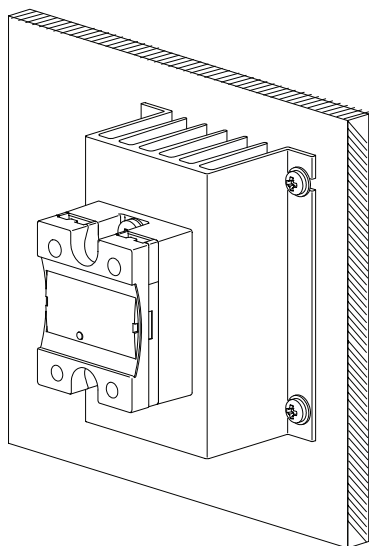
Thermal resistance curve



Mounting position



Installation



All dimensions in mm.
Illustrations are for example only.

Recommended maximum current rating (per SSR)

1. The below recommendations are only valid when the assembly (SSR + heatsink) is mounted as shown in the mounting instructions unless otherwise indicated.
2. The indicated ratings are applicable to one SSR, one pole. Please refer to the online selector tool at www.productselection.net for different load currents, surrounding temperatures or multiple units on one heatsink.
3. These recommendations are applicable only with the indicated Carlo Gavazzi thermal interface material between SSR and heatsink. In case a different thermal interface is utilised these recommendations may no longer be valid.

Pre-attached phase change pad, RKHT

| 1x 2-pole SSR | Surrounding temperature | | | | | | | |
|---------------------|-------------------------|----------|----------|-----------|-----------|-----------|-----------|-----------|
| | °C °F | 20 68 | 30 86 | 40 104 | 50 122 | 60 140 | 70 158 | 80 176 |
| RK 2.. (per pole) | 50 | 27.5 | 24 | 21 | 18 | 15 | 11.5 | 8.5 |
| | 51 | 29.5 | 26 | 22.5 | 19 | 15.5 | 12.5 | 9 |
| | 75 | 33 | 29 | 25 | 21 | 17 | 13.5 | 9.5 |

 Thermal compound, HTS02S

| 1x 1-phase SSR | Surrounding temperature | | | | | | | |
|--|-------------------------|----------|----------|-----------|-----------|-----------|-----------|-----------|
| | °C °F | 20 68 | 30 86 | 40 104 | 50 122 | 60 140 | 70 158 | 80 176 |
| RD.. | 1 | 1 | 1 | 1 | 1 | 1 | 1 | - |
| | 5 | 5 | 5 | 5 | 5 | 5 | 5 | - |
| RA..L RA..T | 10 | 10 | 10 | 10 | 10 | 10 | 8 | - |
| | 25 | 21.5 | 20 | 17.5 | 15 | 12.5 | 8 | - |
| RA.. | 25 | 25 | 24.5 | 21 | 17.5 | 14 | 10.5 | - |
| | 50 | 33.5 | 31 | 26.5 | 22 | 17.5 | 13 | - |
| | 90 | 41 | 38.5 | 32.5 | 27 | 21 | 15.5 | - |
| | 110 | 45.5 | 42.5 | 36 | 29.5 | 23 | 17 | - |
| RA60.. | 50 | 33 | 31 | 27 | 22.5 | 18 | 13.5 | - |
| RA2A.. (per pole) | 25 | 21 | 19.5 | 16 | 12.5 | 9.5 | 6.5 | - |
| | 40 | 23.5 | 21.5 | 17.5 | 14 | 10 | 6.5 | - |
| | 25M | 21 | 19.5 | 16 | 12.5 | 9.5 | 6.5 | - |
| | 40M | 23.5 | 21.5 | 17.5 | 13.5 | 10 | 6.5 | - |
| RS1A.. | 10 | 10 | 10 | 9.5 | 8 | 6 | 4.5 | - |
| | 25 | 25 | 25 | 25 | 20.5 | 15.5 | 10.5 | - |
| | 40 | 36.5 | 33.5 | 28 | 22.5 | 16.5 | 11 | - |
| RS1A..E | 25 | 17.5 | 16.5 | 14.5 | 12.5 | 10 | 8 | - |
| | 40 | 20 | 19 | 16.5 | 14 | 11.5 | 9 | - |
| RM1A.. RM1B.. RM1C.. | 25 | 25 | 25 | 25 | 20.5 | 15.5 | 10.5 | - |
| | 50 | 36.5 | 33.5 | 28 | 22.5 | 16.5 | 11 | - |
| | 75 | 43.5 | 40 | 33 | 26 | 19.5 | 13 | - |
| | 100 | 47 | 43.5 | 35.5 | 28 | 21 | 14 | - |
| RM1A60.. RM1B60.. RM1C60.. RM1E60.. | 50 | 37 | 34 | 28.5 | 23 | 17.5 | 12 | - |
| RAM1A.. RAM1B.. RM1E.. | 25 | 25 | 25 | 25 | 20.5 | 15.5 | 10.5 | 6 |
| | 50 | 36.5 | 33.5 | 28 | 22.5 | 16.5 | 11 | 6 |
| | 75 | 43.5 | 40 | 33 | 26 | 19.5 | 13 | 7 |
| | 100 | 43.5 | 40 | 33 | 26 | 19.5 | 13 | 7 |
| | 125 | 47 | 43.5 | 35.5 | 28 | 21 | 14 | 7.5 |
| RGS1..E RGS1P..E* | 25 | 25 | 25 | 25 | 25 | 22.5 | 18.5 | 14.5 |
| | 50 | 42 | 39.5 | 35 | 30.5 | 26 | 21 | 16.5 |
| | 51 | 41 | 39 | 34.5 | 30.5 | 26 | 21.5 | 17 |
| | 75 | 46.5 | 44 | 38.5 | 33.5 | 28.5 | 23 | 18 |
| | 90 91 92 | 49.5 | 46.5 | 41 | 35.5 | 30 | 24.5 | 19 |
| RGS1..U | 20 | 20 | 20 | 20 | 20 | 20 | 18.5 | 14.5 |
| | 30 | 30 | 30 | 30 | 30 | 26 | 21 | 16.5 |
| RGS1S..E | 20 | 23 | 23 | 23 | 23 | 22.5 | 18.5 | - |
| | 30 | 30 | 30 | 30 | 30 | 26 | 21 | - |
| | 31 | 30 | 30 | 30 | 30 | 30 | 24.5 | - |
| | 92 | 49.5 | 46.5 | 41 | 35.5 | 30 | 24.5 | - |
| RGS1S..U | 61 | 49.5 | 46.5 | 41 | 35.5 | 30 | 24.5 | - |
| RGS1D.. | 15 | 15 | 15 | 15 | 15 | 15 | 12.5 | 10 |
| | 25 | 23 | 22 | 20 | 17.5 | 15 | 12.5 | 10 |

* max. 70 °C / 158 °F for RGS1P..E

 Thermal pad KK071CUT for 1-phase SSRs, RGHT for RG SSRs

| 1x 1-phase SSR | Surrounding temperature | | | | | | | |
|--|-------------------------|----------|----------|-----------|-----------|-----------|-----------|-----------|
| | °C °F | 20 68 | 30 86 | 40 104 | 50 122 | 60 140 | 70 158 | 80 176 |
| RD.. | 1 | 1 | 1 | 1 | 1 | 1 | 1 | - |
| | 5 | 5 | 5 | 5 | 5 | 5 | 5 | - |
| RA..L RA..T | 10 | 10 | 10 | 10 | 10 | 10 | 8 | - |
| | 25 | 19.5 | 18.5 | 16 | 14 | 11.5 | 8 | - |
| RA.. | 25 | 24.5 | 23 | 20 | 16.5 | 13.5 | 10 | - |
| | 50 | 31 | 29 | 24.5 | 20.5 | 16 | 12 | - |
| | 90 | 37 | 34.5 | 29.5 | 24.5 | 19 | 14 | - |
| | 110 | 40.5 | 38 | 32 | 26.5 | 21 | 15.5 | - |
| RA60.. | 50 | 31 | 29 | 25 | 21.0 | 16.5 | 12.5 | - |
| RA2A.. (per pole) | 25 | 20.5 | 19.5 | 16.5 | 13 | 9.5 | 6.5 | - |
| | 40 | 23 | 21.5 | 18 | 14 | 10.5 | 7 | - |
| | 25M | 20.5 | 19.5 | 16.5 | 13 | 9.5 | 6.5 | - |
| | 40M | 23 | 22 | 18 | 14 | 10.5 | 7 | - |
| RS1A.. | 10 | 10 | 10 | 9 | 7.5 | 6 | 4 | - |
| | 25 | 25 | 25 | 23 | 18.5 | 14 | 9.5 | - |
| | 40 | 32.5 | 30 | 25 | 20 | 15 | 10 | - |
| RS1A..E | 25 | 16 | 15 | 13 | 11.5 | 9.5 | 7.5 | - |
| | 40 | 18 | 17 | 15 | 12.5 | 10.5 | 8.5 | - |
| RM1A.. RM1B.. RM1C.. | 25 | 25 | 25 | 23 | 18.5 | 14 | 9.5 | - |
| | 50 | 32.5 | 30 | 25 | 20 | 15 | 10 | - |
| | 75 | 37.5 | 34.5 | 29 | 23 | 17.5 | 11.5 | - |
| | 100 | 40.5 | 37.5 | 31 | 24.5 | 18.5 | 12.5 | - |
| RM1A60.. RM1B60.. RM1C60.. RM1E60.. | 50 | 33 | 30.5 | 25.5 | 20.5 | 15.5 | 10.5 | - |
| RAM1A.. RAM1B.. RM1E.. | 25 | 25 | 25 | 23 | 18.5 | 14 | 9.5 | 5.5 |
| | 50 | 32.5 | 30 | 25 | 20 | 15 | 10 | 5.5 |
| | 75 | 37.5 | 34.5 | 29 | 23 | 17.5 | 11.5 | 6.5 |
| | 100 | 37.5 | 34.5 | 29 | 23 | 17.5 | 11.5 | 6.5 |
| | 125 | 40.5 | 37.5 | 31 | 24.5 | 18.5 | 12.5 | 7 |
| RGS1..E RGS1P..E* | 25 | 25 | 25 | 25 | 22.5 | 19 | 16 | 12.5 |
| | 50 | 35 | 33.5 | 29.5 | 25.5 | 22 | 18 | 14 |
| | 51 | 35 | 33 | 29.5 | 26 | 22 | 18.5 | 14.5 |
| | 75 | 39.5 | 37.5 | 33 | 28.5 | 24.5 | 20 | 15.5 |
| | 90 91 92 | 42 | 39.5 | 35 | 30.5 | 26 | 21 | 16.5 |
| RGS1..U | 20 | 20 | 20 | 20 | 20 | 19 | 16 | 12.5 |
| | 30 | 30 | 30 | 29.5 | 25.5 | 22 | 18 | 14 |
| RGS1S..E | 20 | 23 | 23 | 23 | 22.5 | 19 | 16 | - |
| | 30 | 30 | 30 | 29.5 | 25.5 | 22 | 18 | - |
| | 31 | 30 | 30 | 30 | 30 | 26 | 21 | - |
| | 92 | 42 | 39.5 | 35 | 30.5 | 26 | 21 | - |
| RGS1S..U | 61 | 42 | 39.5 | 35 | 30.5 | 26 | 21 | - |
| RGS1D.. | 15 | 15 | 15 | 15 | 15 | 15 | 12.5 | 10 |
| | 25 | 18.5 | 22 | 20 | 17.5 | 15 | 12.5 | 10 |

* max. 70 °C / 158 °F for RGS1P..E



References

CARLO GAVAZZI compatible components

| Purpose | Component name/code | Notes |
|--------------------------|---------------------|--|
| Thermal pads | KK071CUT | Packing qty. 50 pcs, suitable for 1-phase SSRs |
| | RGHT | Packing qty. 10 pcs, suitable for RG SSRs |
| Phase change thermal pad | RKHT | Packing qty. 10 pcs, suitable for RK series |
| Thermal compound | HTS02S | 2ml syringe of silicone based thermal compound |
| Screw Kits | SRWKITM5X10MM | Packing qty. 20 pcs. |
| | SRWKITM5X30MM | Packing qty. 20 pcs. |

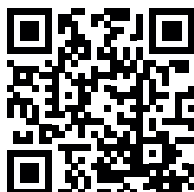
Further reading

| Information | Where to find it |
|-------------------------------|---|
| Online heatsink selector tool | http://www.productselection.net/heatsink/heatsinkSelector.php?LANG=UK |
| Accessories | http://www.productselection.net/Pdf/UK/SSR_Accessories.pdf |

Order code



RHS5840D



COPYRIGHT ©2016
Content subject to change. Download the PDF: www.productselection.net

X-ON Electronics

Largest Supplier of Electrical and Electronic Components

Click to view similar products for [Heat Sinks](#) category:

Click to view products by [Carlo Gavazzi](#) manufacturer:

Other Similar products are found below :

[581102B00000G](#) [630-35ABT3](#) [656-15ABPE](#) [657-20ABPNE](#) [7020B-TC12-MTG](#) [73452PPBA](#) [7721-13NG](#) [7G0011A](#) [FI306/SE](#) [PF720G](#)
[A22-4026](#) [120-1873-007](#) [HAH10L](#) [HF20](#) [1542256-2](#) [1542026-1](#) [1542616-1](#) [HS-2506-F1](#) [HS-87M0-F2](#) [218-40CTE3](#) [25-7520](#)
[188854F00000G](#) [F-QB-F1](#) [APA501-60-003](#) [253-122ABE-22](#) [PSC22CB](#) [CLP-201](#) [CLP212SG](#) [CLP-7701G](#) [HAA072](#) [HAA083](#) [HAF10L](#)
[HAQ10T](#) [D10100-28](#) [TO5-002D](#) [513101B02500G](#) [BDN183CBA01](#) [531202B0000](#) [HS-56M0-C1](#) [3-21053-4](#) [TX0506-1B](#) [TX1806B](#)
[336614B-00000](#) [V2004X](#) [LAE66A3CB](#) [WA-DT2-101E](#) [511-3U](#) [017177](#) [530510B00000G](#) [6110BG](#)