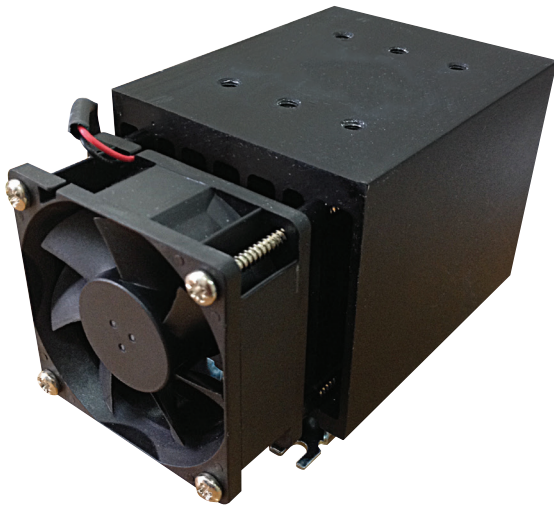


RHS703F



Accessories: Heatsinks



Main features

- 0.37°C/W thermal resistance
- Suitable for mounting of 1-phase SSRs
- DIN rail mounting
- Suitable for panel mounting
- Dimensions W x H x D: 72 x 141 x 75 mm
- RoHS compliant

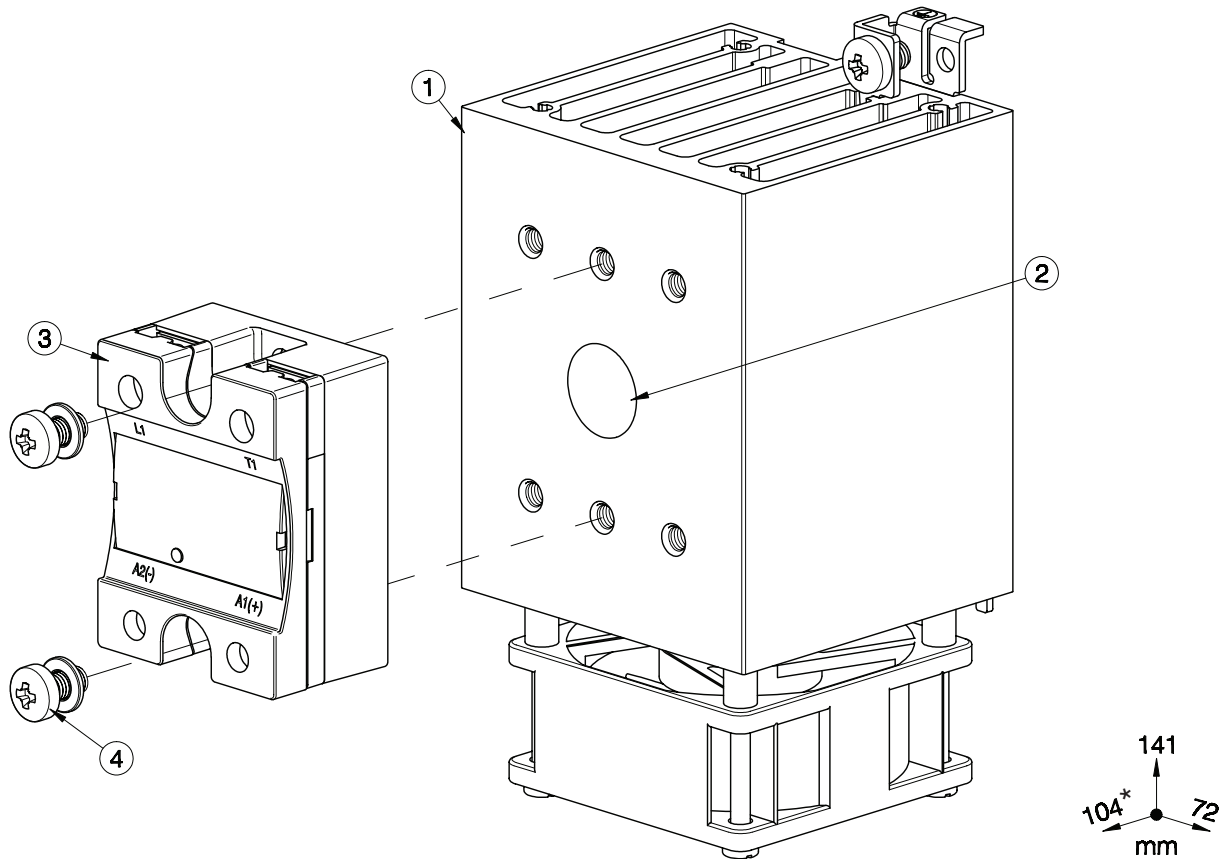
Description

Heatsink assembly, including fan, suitable for mounting of maximum 3x 1-phase solid state relay (SSRs).

Suffix H76 or H77 (for 24VDC or 240VAC fans respectively) added to SSR part no. refers to factory mounted heatsink. Conditions apply. Please ask your sales representative for further details.

Structure

1-phase SSR



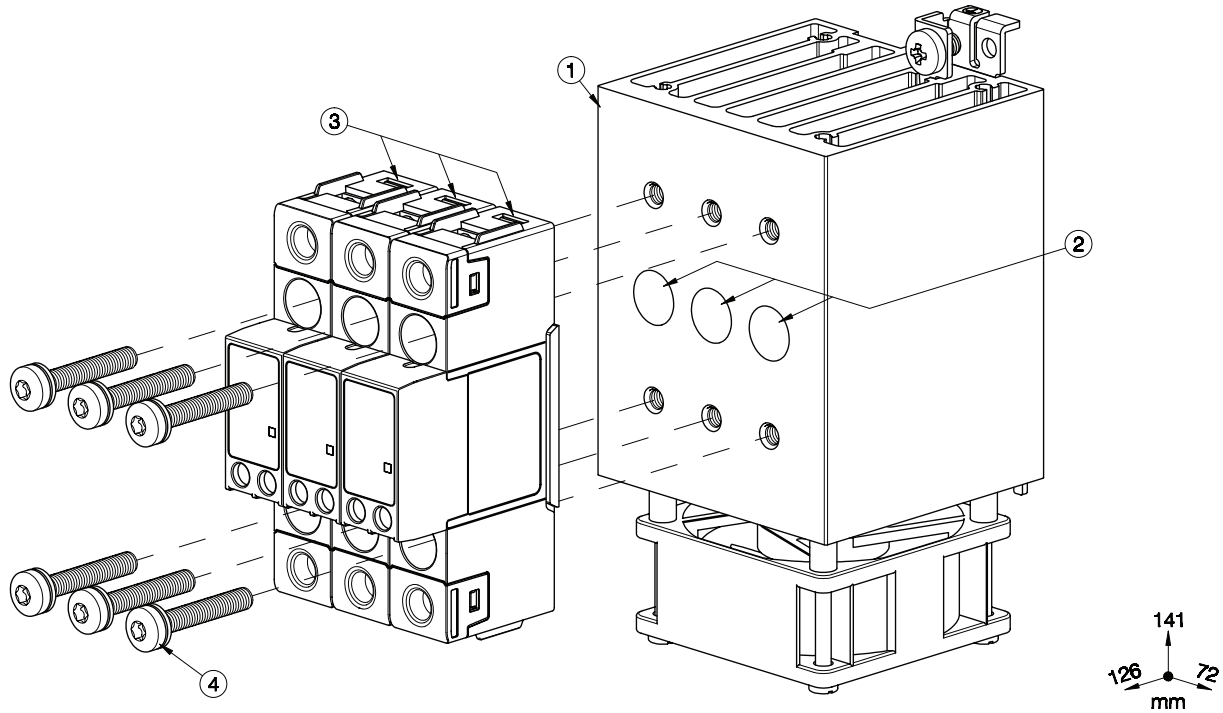
Element	Component	Qty	RHS703F
1	RHS703F heatsink assembly	1	Provided
2	Thermal Compound HTS02S	1	Provided
3	1-phase SSR 45x59mm	1	Not provided
4	M5x10mm PZ2 + Washer	2	Provided

Note:

* 108mm for RK..C, 119mm for RK..P (including plug).

Dimensions including the SSR.

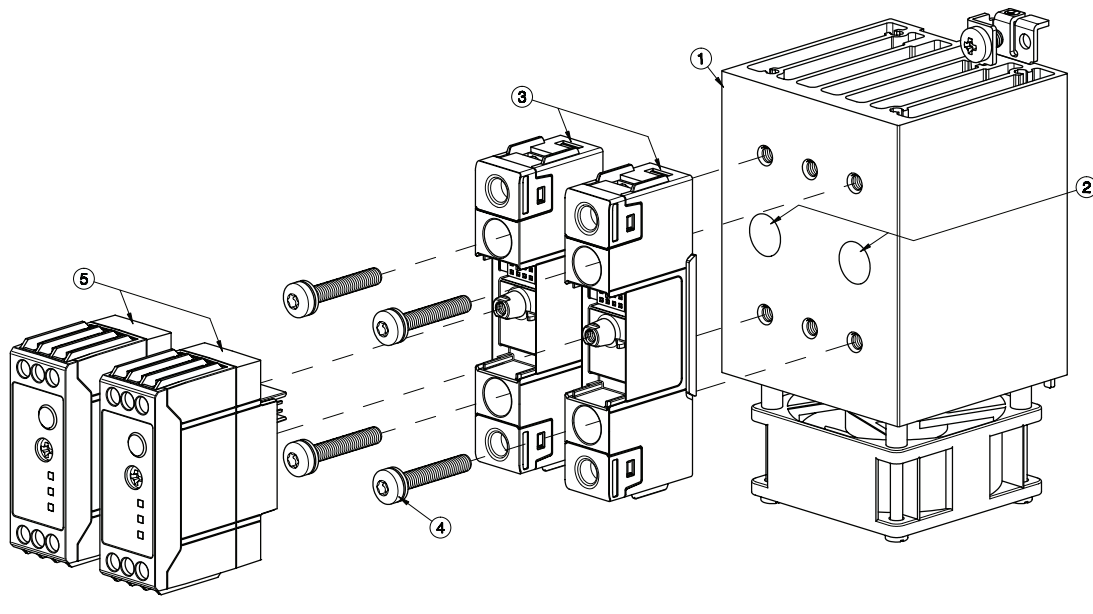
RGS1 18mm Module



Element	Component	Qty	RHS703F
1	RHS703F heatsink assembly	1	Provided
2	Thermal Compound HTS02S	1	Provided
3	RGS1 SSR 18x90mm (max.)	3	Not provided
4	M5x30mm Torx T20 + Washer (per SSR)	2	Provided (x6)

Note:
Dimensions including the SSR.

RGS1 22.5mm Module



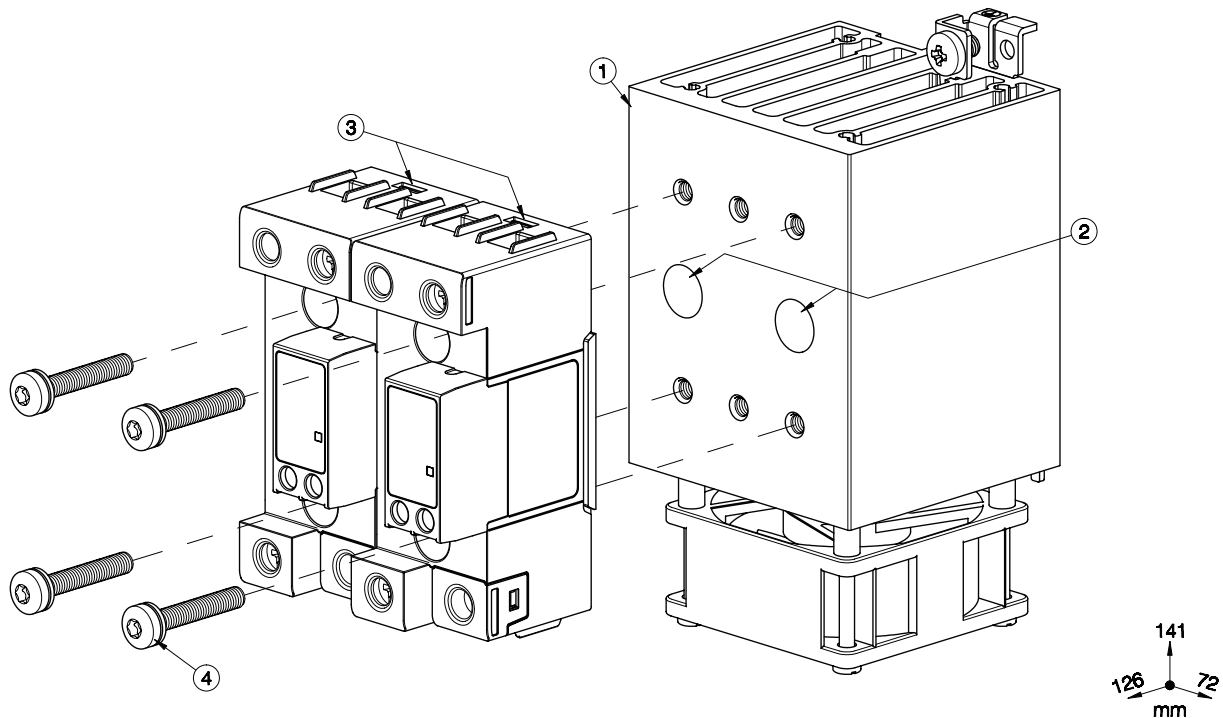
Element	Component	Qty	RHS703F
1	RHS703F heatsink assembly	1	Provided
2	Thermal Compound HTS02S	1	Provided
3	RGS1 Power Module 18x90mm (max.)	2	Not provided
4	M5x30mm Torx T20 + Washer (per SSR)	2	Provided (x6)
5	RGS1S Control Module 22.5x65mm (max.)	2	Not provided

Note:

Dimensions including the SSR.

When only 1 SSR is utilized it shall be mounted at the centre of the heatsink.

RGS1 35mm Module



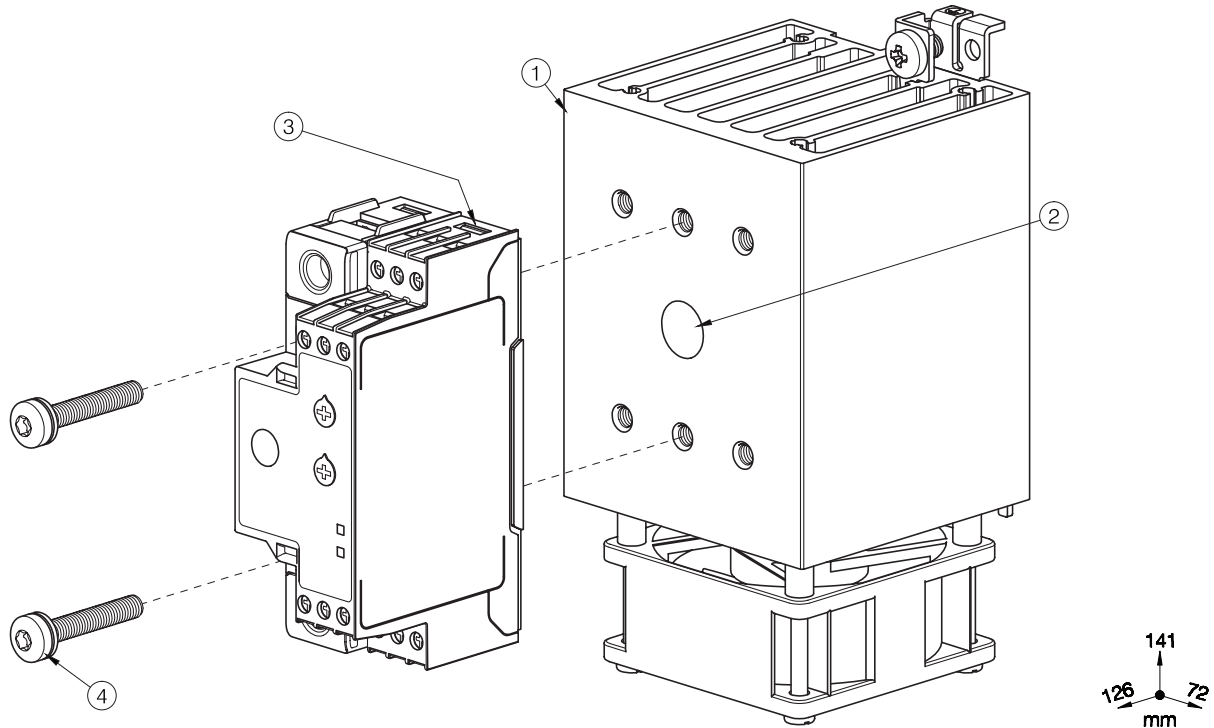
Element	Component	Qty	RHS703F
1	RHS703F heatsink assembly	1	Provided
2	Thermal Compound HTS02S	1	Provided
3	RGS1 or RGS1S SSR 36x90mm (max.)	2	Not provided
4	M5x30mm Torx T20 + Washer (per SSR)	2	Provided (x6)

Note:

Dimensions including the SSR.

When only 1 SSR is utilized it shall be mounted at the centre of the heatsink.

RGS1P 35mm Module



Element	Component	Qty	RHS703F
1	RHS703F heatsink assembly	1	Provided
2	Thermal Compound HTS02S	1	Provided
3	RGS1P SSR 35x90mm	1	Not provided
4	M5x30mm Torx T20 + Washer (per SSR)	2	Provided (x6)

Note:

Dimensions including the SSR.

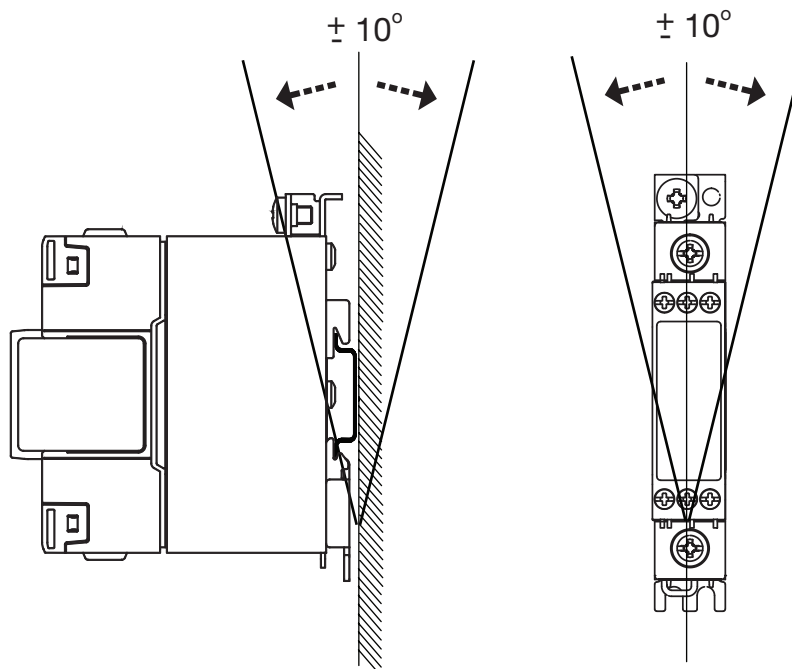
When only 1 SSR is utilized it shall be mounted at the centre of the heatsink.

Features

General

SSR max. mounting torque	1.5Nm (13.3 lb-in)
PE screw (Not provided with assembly)	M5, max. 1.5Nm (13.3 lb-in)
Weight (excl. SSR)	approx. 710g
Material	Aluminium
Finish	Black anodization
Fan mounting	Integrated
Fan supply voltage	
RHS703F60-24	24 VDC
RHS703F60-230	220 - 240VAC, 50/60Hz
Power consumption:	
RHS703F60-24	1.8 Watts
RHS703F60-230	4.1/4.4 Watts
Current consumption:	
RHS703F60-24	75 mA
RHS703F60-230	198 mA

Mounting position



Installation

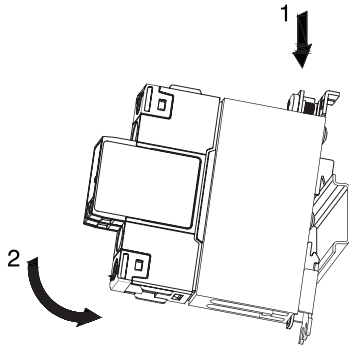


Fig. 1 Mounting on DIN rail

Illustrations are for example only.

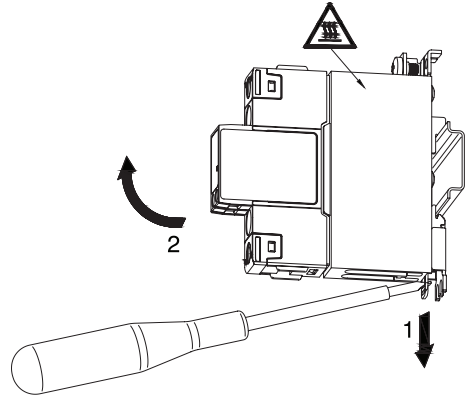


Fig. 2 Dismounting from DIN rail



Recommended maximum current rating (per SSR)


1. The below recommendations are only valid when the assembly (SSR + heatsink) is mounted as shown in the mounting instructions unless otherwise indicated.
2. The indicated ratings are applicable to one SSR, one pole. Please refer to the online selector tool at www.productselection.net for different load currents, surrounding temperatures or multiple units on one heatsink.
3. These recommendations are applicable only with the indicated Carlo Gavazzi thermal interface material between SSR and heatsink. In case a different thermal interface is utilised these recommendations may no longer be valid.

Pre-attached phase change pad, RKHT

1x 2-pole SSR	Surrounding temperature							
	°C °F	20 68	30 86	40 104	50 122	60 140	70 158	80 176
RK 2.. (per pole)	50	50	50	50	50	44.5	38	30.5
	51	50	50	50	50	50	43	34.5
	75	75	75	75	68	59	50	40.5

 Thermal compound, HTS02S

1x 1-phase SSR	Surrounding temperature						
	°C °F	20 68	30 86	40 104	50 122	60 140	70 158
RD..	1	1	1	1	1	1	1
	5	5	5	5	5	5	5
RA..L RA..T	10	10	10	10	10	10	10
	25	25	25	25	25	22.5	18.5
RA..	25	25	25	25	25	25	20
	50	50	50	50	44	37	29
	90	89	84.5	74.5	64.5	54	43
	110	104.5	98.5	87	75	62	49
RA60..	50	50	50	50	43.5	36.5	29.5
RA2A.. (per pole)	25	25	25	25	25	25	25
	40	40	40	40	37.5	33	28.5
	25M	25	25	25	25	25	25
	40M	40	40	40	39	34	29
RS1A..	10	10	10	10	10	9.5	7.5
	25	25	25	25	25	25	25
	40	40	40	40	40	40	40
RS1A..E	25	25	25	25	21.5	18.5	15.5
	40	37	35	31	27.5	23.5	19.5
RM1A.. RM1B.. RM1C..	25	25	25	25	25	25	25
	50	50	50	50	50	50	45.5
	75	75	75	75	75	72.5	58
	100	100	100	100	97.5	85	64
RM1A60.. RM1B60.. RM1C60.. RM1E60..	50	50	50	50	50	45	39
RAM1A.. RAM1B.. RM1E..	25	25	25	25	25	25	25
	50	50	50	50	50	50	45.5
	75	75	75	75	75	72.5	58
	100	100	100	92.5	82.5	72.5	58
	125	125	120.5	109	97.5	85	64
RGS1..E RGS1P..E (per pole)	25	25	25	25	25	25	25
	50	50	50	50	50	50	50
	51	50	50	50	50	50	50
	75	75	75	75	75	69	59.5
	90 91 92	90	90	90	84.5	74.5	64.5
RGS1..U	20	20	20	20	20	20	20
	30	30	30	30	30	30	30
RGS1S..E	20	23	23	23	23	23	23
	30	30	30	30	30	30	30
	31	30	30	30	30	30	30
	92	90	90	90	84.5	74.5	64.5
RGS1S..U	61	65	65	65	65	65	64.5
RGS1D..	15	15	15	15	15	15	15
	25	25	25	25	25	25	25

 Thermal pad KK071CUT for 1-phase SSRs, RGHT for RG SSRs

1x 1-phase SSR	Surrounding temperature						
	°C °F	20 68	30 86	40 104	50 122	60 140	70 158
RD..	1	1	1	1	1	1	1
	5	5	5	5	5	5	5
RA..L RA..T	10	10	10	10	10	10	10
	25	25	25	25	22.5	19	16
RA..	25	25	25	25	25	22	17.5
	50	50	49	43	37	31	24
	90	68	64.5	57	49	40.5	32
	110	78	73.5	64.5	55	45.5	35.5
RA60..	50	50	48	42.5	37	31	24.5
RA2A.. (per pole)	25	25	25	25	25	25	22
	40	40	40	36.5	32.5	28.5	24.5
	25M	25	25	25	25	25	22
	40M	40	40	37.5	33.5	29	25
RS1A..	10	10	10	10	10	9	6.5
	25	25	25	25	25	25	25
	40	40	40	40	40	38	31.5
RS1A..E	25	25	24.5	21.5	18.5	16	13
	40	31	29.5	26	22.5	19.5	16
RM1A.. RM1B.. RM1C..	25	25	25	25	25	25	25
	50	50	50	48.5	43.5	38	31.5
	75	75	75	69.5	59	47.5	35.5
	100	93	89	77	65	52	38.5
RM1A60.. RM1B60.. RM1C60.. RM1E60..	50	50	50	48.5	43.5	38	31.5
RAM1A.. RAM1B.. RM1E..	25	25	25	25	25	25	25
	50	50	50	50	49	41	31
	75	75	75	69.5	59	47.5	35.5
	100	80.5	77	69.5	59	47.5	35.5
	125	93	89	77	65	52	38.5
RGS1..E RGS1P..E (per pole)	25	25	25	25	25	25	25
	50	50	50	50	47.5	42	36
	51	50	50	50	46.5	41	35.5
	75	70	67	60.5	54.5	47.5	40.5
	90						
	91 92	74.5	71	64.5	58	51	43.5
RGS1..U	20	20	20	20	20	20	20
	30	30	30	30	30	30	30
RGS1S..E	20	23	23	23	23	23	23
	30	30	30	30	30	30	30
	31	30	30	30	30	30	30
	92	74.5	71	64.5	58	51	43.5
RGS1S..U	61	65	65	64.5	58	51	43.5
RGS1D..	15	15	15	15	15	15	15
	25	25	25	25	24	21	18



References

CARLO GAVAZZI compatible components

Purpose	Component name/code	Notes
Thermal pads	KK071CUT	Packing qty. 50 pcs, suitable for 1-phase SSRs
	RGHT	Packing qty. 10 pcs, suitable for RG SSRs
Phase change thermal pad	RKHT	Packing qty. 10 pcs, suitable for RK series
Thermal compound	HTS02S	2ml syringe of silicone based thermal compound
Fans	RHSF60-24	24 VDC, 60x60mm
	RHSF60-230	240 VAC, 60x60mm
Screw Kits	SRWKITM5X10MM	Packing qty. 20 pcs.
	SRWKITM5X30MM	Packing qty. 20 pcs.

Further reading

Information	Where to find it
Online heatsink selector tool	http://www.productselection.net/heatsink/heatsinkSelector.php?LANG=UK
Accessories	http://www.productselection.net/Pdf/UK/SSR_Accessories.pdf

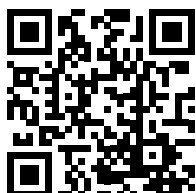
Order code



RHS703F60-

Enter the code entering the corresponding option instead of

Code	Option	Description
R	-	
H	-	
S	-	
7	-	
0	-	
3	-	
F	-	
6	-	
0	-	
-	-	
<input type="checkbox"/>	24	For 24VDC fan
	230	For 240VAC fan



COPYRIGHT ©2016
Content subject to change. Download the PDF: www.productselection.net

X-ON Electronics

Largest Supplier of Electrical and Electronic Components

Click to view similar products for [Heat Sinks](#) category:

Click to view products by [Carlo Gavazzi](#) manufacturer:

Other Similar products are found below :

[581102B00000G](#) [630-35ABT3](#) [656-15ABPE](#) [657-20ABPNE](#) [7020B-TC12-MTG](#) [73452PPBA](#) [7721-13NG](#) [7G0011A](#) [FI306/SE](#) [PF720G](#)
[A22-4026](#) [120-1873-007](#) [HAH10L](#) [HF20](#) [1542256-2](#) [1542026-1](#) [1542616-1](#) [HS-2506-F1](#) [HS-87M0-F2](#) [218-40CTE3](#) [25-7520](#)
[188854F00000G](#) [F-QB-F1](#) [APA501-60-003](#) [253-122ABE-22](#) [PSC22CB](#) [CLP-201](#) [CLP212SG](#) [CLP-7701G](#) [HAA072](#) [HAA083](#) [HAF10L](#)
[HAQ10T](#) [D10100-28](#) [TO5-002D](#) [513101B02500G](#) [BDN183CBA01](#) [531202B0000](#) [HS-56M0-C1](#) [3-21053-4](#) [TX0506-1B](#) [TX1806B](#)
[336614B-00000](#) [V2004X](#) [LAE66A3CB](#) [WA-DT2-101E](#) [511-3U](#) [017177](#) [530510B00000G](#) [6110BG](#)