

Timers

Two-state Relay

Type SG 125

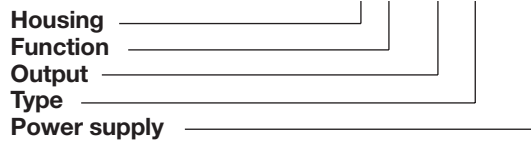


- Two-state relay with built-in memory
- Time ranges: 0.15 s to 3 s
- Switches, with a preset delay, to opposite contact position at power supply interruption
- Repeatability deviation: $\leq 1\%$
- Output: 8 A SPDT relay
- Plug-in type module
- S-housing
- LED-indication for relay on
- AC or DC power supply

Product Description

Two-state, plug-in time relays with built-in memory and timer up to 3 s. When interrupting power supply, the contact switches after an adjustable delay to the opposite position where it remains. Often used in applications with two pumps in order to prevent the same pump from always starting first.

Ordering Key **SG 125 024**



Type Selection

Plug	Output	Time range	Supply: 24 VAC	Supply: 115 VAC	Supply: 230 VAC	Supply: 24 VDC
Circular	SPDT	0.15 - 3 s	SG 125 024	SG 125 115	SG 125 230	SG 125 724

Time Specifications

Time ranges	0.15 - 3 s
Time range accuracy	0 to +20% on max. min. actual time \leq min. set time
Repeatability deviation	$\leq 1\%$
Time variation	
Within rated power supply and ambient temperature	$\leq 0.2\%/^{\circ}\text{C}$ $\leq 0.05\%/V$
Reset	\geq set delay

Output Specifications

SPDT relay	
Basic electrical insulation	250 VAC (rms) (contact/electronics)
Contact ratings (AgCdO) μ (micro gap)	
Resistive loads	AC 1 10 A/250 VAC (2000 VA) DC 1 1 A/250 VDC (100 W) or 4 A/25 VDC (100 W)
Small inductive loads	AC 15 2.5 A/230 VAC DC 13 5 A/24 VDC
Mechanical life	$\geq 30 \times 10^6$ operations
Electrical life	
AC 1	$\geq 2.5 \times 10^5$ operations (at max. load)
Operating frequency	≤ 7200 operations/h
Insulation voltages	
Rated insulation voltage	≥ 2.0 kVAC (rms) (cont./elec.)
Rated transient protection volt. (IEC 664)	4 kV (1.2/50 μs) (cont./elec.)



Supply Specifications

Power supply AC types	Installation cat. III (IEC 664)	
Rated operational voltage through pins 2 & 10	230	230 VAC ± 15%, 45 to 65 Hz
	115	115 VAC ± 15%, 45 to 65 Hz
	024	24 VAC ± 15%, 45 to 65 Hz
Drop-out tolerance	≥ 40 ms	
Rated insulation voltage	≥ 2.0 kVAC (RMS) (supply/elec.)	
Rated transient protection volt.	4 kV (1.2/50 μs) (line/neutral)	
Power supply DC type	Installation cat. III (IEC 664)	
Rated operational volt.	724	24 VDC ± 15% (pin 2 pos.)
Rated insulation voltage	None	
Rated transient protection volt.	800 V (1.2/50 μs)	
Consumption	AC supply	2.5 VA
	DC supply	1.5 W

General Specifications

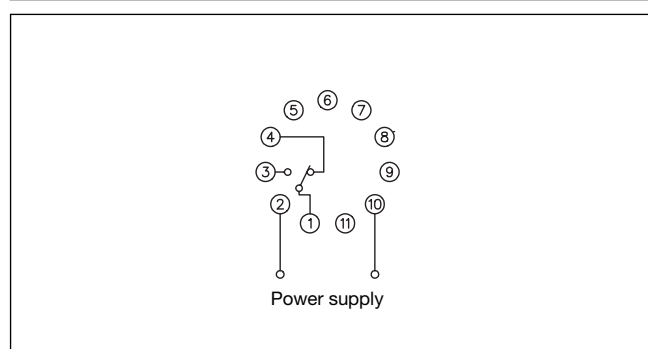
Power ON time	≥ 1 s	
Power OFF delay	≥ set delay	
Indication for Output ON	LED. red	
Environment		
Degree of protection	IP 20 B	
Pollution degree	2 (IEC 664)	
Operating temperature	-20° to +50°C (-4° to +122°F)	
Storage temperature	-50° to +85°C (-58° to +185°F)	
Weight	AC types	200 g
	DC types	125 g
Approvals	UL, CSA, SEV	

Mode of Operation

The relay contact remains in its present position (pins 1 and 4 or pins 1 and 3) when power supply is applied.

When interrupting power supply, however, after a delay of 0.15 - 3 s set on the potentiometer the contact switches to the opposite position where it remains.

Wiring Diagram



Accessories

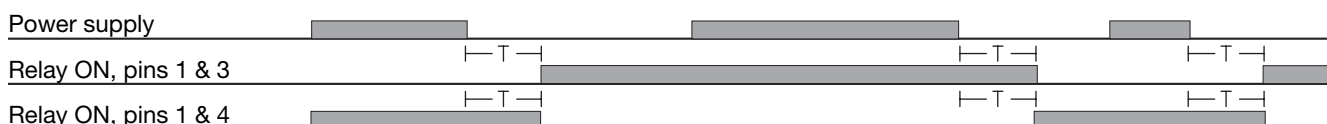
Socket◇	S 411
Hold down spring◇	HF
Mounting rack	SM 13
Socket cover	BB 4
Front mounting bezel	FRS2
Potentiometer lock	PL

For further information refer to "Accessories".
For other AC/DC voltages refer to "General Information".

Time Setting

0.15 - 3 s.
Knob-adjustable on relative scale.

Operation Diagram



X-ON Electronics

Largest Supplier of Electrical and Electronic Components

Click to view similar products for [Time Delay & Timing Relays](#) category:

Click to view products by [Carlo Gavazzi](#) manufacturer:

Other Similar products are found below :

[7012GD](#) [7012L10BN](#) [7012L10DY1N](#) [7012L10FN](#) [7012L10HN](#) [7012L26K](#) [7012L8AI2LLSN](#) [7012L8BN](#) [7012L8KN](#) [7012OBILM](#)
[7012OIT](#) [7012PALL](#) [7012PDM](#) [7012PFX](#) [7022L10DN](#) [7022L8BN](#) [7022L8EN](#) [7022L8HN](#) [7022X3D](#) [7024NB](#) [7024SCT](#) [88256455](#) [H3BG-](#)
[N8H](#) [AC110V](#) [H3CRF8AC2448DC1248](#) [1423151-3](#) [1423154-8](#) [1423462-7](#) [1423618-6](#) [1423151-5](#) [1423156-7](#) [1423618-4](#) [2112AH1SDC947](#)
[2122DH1NJC467](#) [2122DH1PE](#) [2-1617805-2](#) [2-1617805-6](#) [K61C-08](#) [286XCXC-300-24D](#) [SCBRX022XXACXAC991](#) [SHS10S110A](#)
[SHS20M220A](#) [1755074-5](#) [SSC12AKA](#) [FAASPRING2](#) [2112DH3NDC50-13](#) [2122DH34NDC629](#) [2-1437479-8](#) [2-1617805-1](#) [2-1617805-3](#) [2-](#)
[1617805-7](#)