

Energy Management Accessories Type SIU TCP 2



- Virtual COM port serial device server
- RS485 (2/4 wires) serial port available
- Auto detecting 10/100 Mbps Ethernet interface
- Real COM drivers for Windows
- Easy-to-use configuration software suite
- Cigarette pack size
- Wall and DIN-rail mounting
- Built-in default key to restore factory default settings

Product Description

The SIU TCP2 is a gateway between Ethernet TCP/IP and RS485/RS422 serial communications. Data coming from the Ethernet (TCP/IP) is sent to the designated RS485/RS422 port and data being received from RS485/RS422 port is

sent to the Ethernet (TCP/IP) transparently. With the SIU TCP2 it is possible to communicate with a remote device both in the Intranet and Internet environment so the communication distance is increased. You can configure SIU TCP2 as a

How to order

SIU TCP 2

Model _____
Power supply adapter _____

TCP server or as a TCP client. Although it connects through the virtual link of Ethernet, the port on SIU TCP2 is recognised as a real COM port by Windows.

SIU TCP2 is supplied with an utility program (Serial Manager) providing a simple step-by-step installation allowing to configure the network parameters of SIU TCP2.

Supply specification

DC supply	9 to 30VDC	AC/DC power supply adapter	Not Included (see type selection)
Power-on indication	LED	AD5V1A (US): American adapter	on request
Power consumption	300mA @ 9V (max) 2,8 Watt max	AD5V1A (EU): European adapter	on request

Input/Output specifications

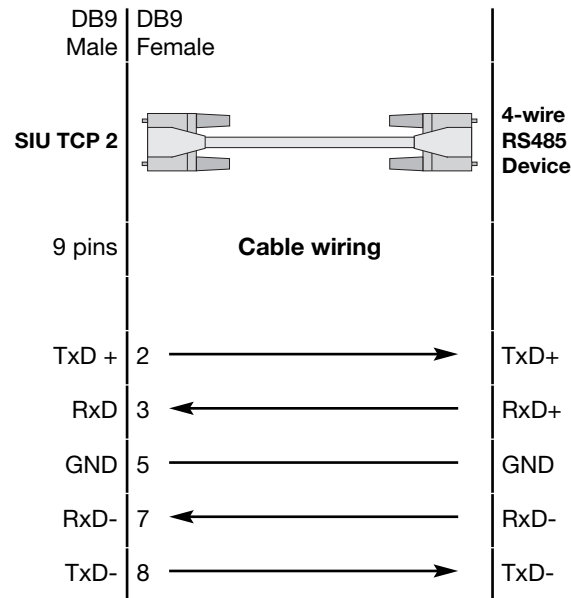
LAN		RS485 (2/4-wires) signals Protection	Data+, Data-, GND 15kV ESD for all signals
Ethernet Connector	10/100 Mbps RJ45	Serial communication parameter	
"Link" indication	LED	Parity	None, even, odd, space, mark 7, 8
Off:	Ethernet disconnected	Data Bits	1, 2
Blinking with green:	Data is transmitting on Ethernet for 100Mbps	Stop Bits	RTS/CTS, XON/XOFF, NONE, DTR/DSR
Protection	Built-in 1.5kV magnetic isolation	Flow control	1200bps to 230kbps
Ports	TCP port 23 (Telnet) TCP port 4000 (firmware updating) TCP ports 950 and 966 (hostbased/driver mode) UDP port 1029 (broadcast, monitor, real COM installer)	Baud rate	
		Nodes and max distance	up to 32 (1000m)
		Protocols	TCP/IP, UDP, SNMP, HTTP, Telnet, ARP, BOOTP, DHCP, ICMP
Serial COM		Windows compatibility	Windows, XP, Vista
Blinking with Orange:	Data is transmitting on Ethernet for 10Mbps	Run LED	Red LED
Connector	Male DB9	ON: jumper JP1 pin1 and pin2 are shorted to disable.	
"Ready" indication	LED, green	Blinking (rate 0.5sec): ΔP firmware running normally.	
	Off: no data is transmitting on COM port, Blinking: data is transmitting on COM port.		



General specifications

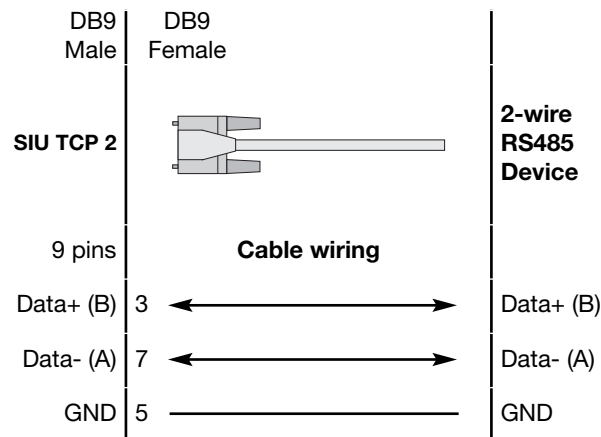
Operating temperature	0°C to +60°C (32°F to 140°F) 5 to 95% RH (non-condensing)	Housing Dimensions (LxWxH) Material	65 x 78 x 28mm Varnished over iron
Storage temperature	-20°C to +70°C (-4°F to 158°F) 20% to 90% RH (non-condensing)	Protection degree Weight	IP30 Approx. 363 g (packing included)
EMC Immunity emissions	EN61000-6-1 EN61000-6-4	Standard accessories	DIN-rail mounting kit 9-pole serial cable Configuration software Hardware and software manuals. Quick installation guide
Standard compliance Safety Medical	EN60950 EN55022, class A		
Approvals	CE		

Wiring diagrams



4-wire RS485 Wiring

Fig. 1



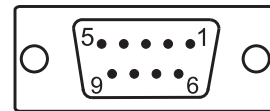
2-wire RS485 wiring

Fig. 2

Pin Assignment

PIN	RS232	RS485 (2W)
1	DCD	-----
2	TxD	-----
3	RxD	Data+ (B)
4	DSR	Data- (A)
5	GND	GND
6	DTR	-----
7	CTS	-----
8	RTS	-----
9	-----	-----

Note: the table is referred to the SIU TCP2 side of the 9-pole connector.



X-ON Electronics

Largest Supplier of Electrical and Electronic Components

Click to view similar products for [Ethernet Modules](#) category:

Click to view products by [Carlo Gavazzi](#) manufacturer:

Other Similar products are found below :

[TDKEZW3](#) [V23993-USB1029A](#) [100-POE4](#) [FC6A-PH1](#) [W4S105C](#) [GX-ID1611](#) [X520QDA1](#) [BCM84794A1KFSBG](#) [X520DA2OCP](#) [854-19722](#) [808-38157](#) [7506GX2](#) [105FX-SC-MDR](#) [110FX2-SC](#) [BCM54291B0IQLEG](#) [RBMTXLITE-L4X2.X.X.X.X.](#) [WEBSSENS COMBO](#) [USR-TCP232-T2](#) [EKI-7708E-4F-AE](#) [EKI-7708E-4FP-AE](#) [EKI-7708G-4FP-AE](#) [2352903-2](#) [SW-125](#) [SW-525](#) [SW-725](#) [1005957](#) [1006191](#) [304TX-N](#) [WIZ107SR_TTL](#) [ES-320](#) [TDKEZW5](#) [24030060000](#) [24030082110](#) [70002039](#) [EQCO-FASTECOAX7501.2](#) [2702236](#) [2702324](#) [2702969](#) [2891042](#) [24030061100](#) [24030061110](#) [24020030000](#) [24020061200](#) [24020062100](#) [X92000001-01](#) [EKI-9316-C0ID42E](#) [2902660](#) [2702652](#) [2702323](#) [24034160010](#)