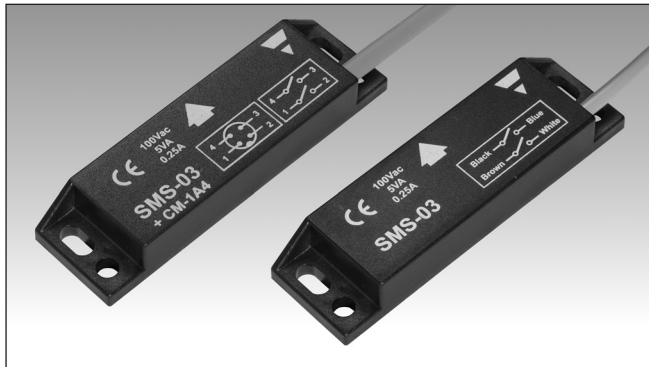


Safety Magnetic Sensors

Rectangular Safety Magnetic Sensors

Type SMS03



- Suitable for applications in safety category 4 in accordance with EN ISO13849-1:2015 when connected to appropriate safety devices
- 2 NO outputs
- 1 NC auxiliary output (SMS03NC and SMSAP20AG02M)
- Cable or M12 pig tail output connection (SMS03+CM1A4/03MT and SMSAP20AF03DCP)
- Rectangular housing
- Multiple flux coding
- In compliance with CEI EN 60947-5-3:2000

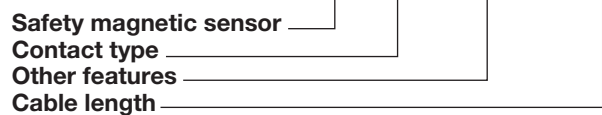
Product Description

The SMS03 series of safety magnetic sensors is characterized by multiple flux coding with 2 NO safety outputs. The SMS03+CM-1A4/03MT SMSAP20AF03DCP and models are provided

with a pig tail output connection ended with a 4-pole M12 connector, while the SMS03NC and SMSAP20AG02M models are provided by 1 auxiliary NC output contact for signalling.

Ordering Key

SMS 03+CM1A4/03MT



Type Selection

Outputs	Auxiliary output	Connection	Item code (CE)	Item code (CE, UL)
2 NO	-	PVC cable	SMS 03	SMS AP 20 AF 02M
2 NO	-	M12 4-pole connector	SMS 03+CM1A4/03MT	SMS AP 20 AF 03D CP
2 NO	1 NC	PVC cable	SMS 03 NC	SMS AP 20 AG 02M

Output Specifications

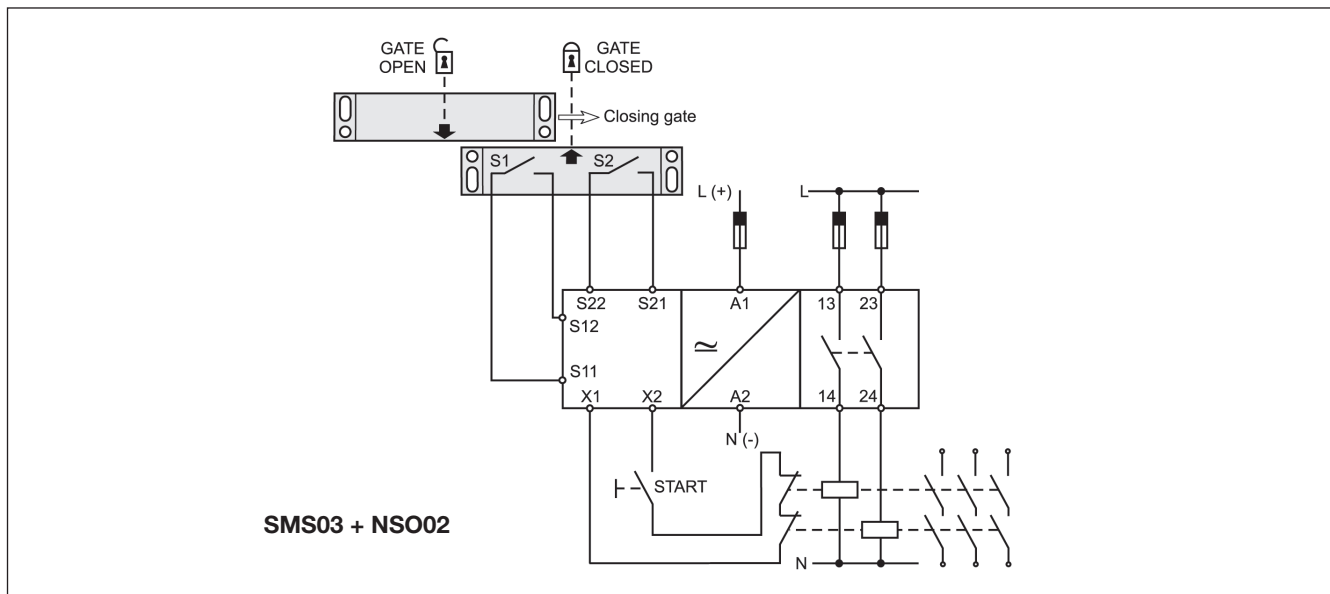
Outputs	Category 4 (EN ISO13849-1:2015)	Contact ratings (CE version only)
2 NO	2 NO	Max Switching Voltage: 100 VAC Max Switching Current: 0.25 A Max Switching Power: 5 VA
Auxiliary output SMS03NC, SMSAP20AG02M	1 NC	
Output connection	Contact ratings (UL version only)	
SMS03	Rating AC Max switching Voltage: 120 VAC Max switching Current: 0.1 A g.p. Max switching Power: 12 VA	
SMS03 + CM1A4/03MT	Rating AC (NC contact of SMSAP20AG02M only) Max switching Voltage: 125 VAC Max switching Current: 0.35 A g.p. Max switching Power: 10 VA	
SMS03NC	Rating DC Max switching Voltage: 50 VDC Max switching Current: 0.25 A Max switching Power: 12.5 W	
SMSAP20AF02M	Rating DC (NC contact of SMSAP20AG02M only) Max switching Voltage: 175 VDC Max switching Current: 0.35 A Max switching Power: 10 W	
SMSAP20AF03DCP		
SMSAP20AG02M		



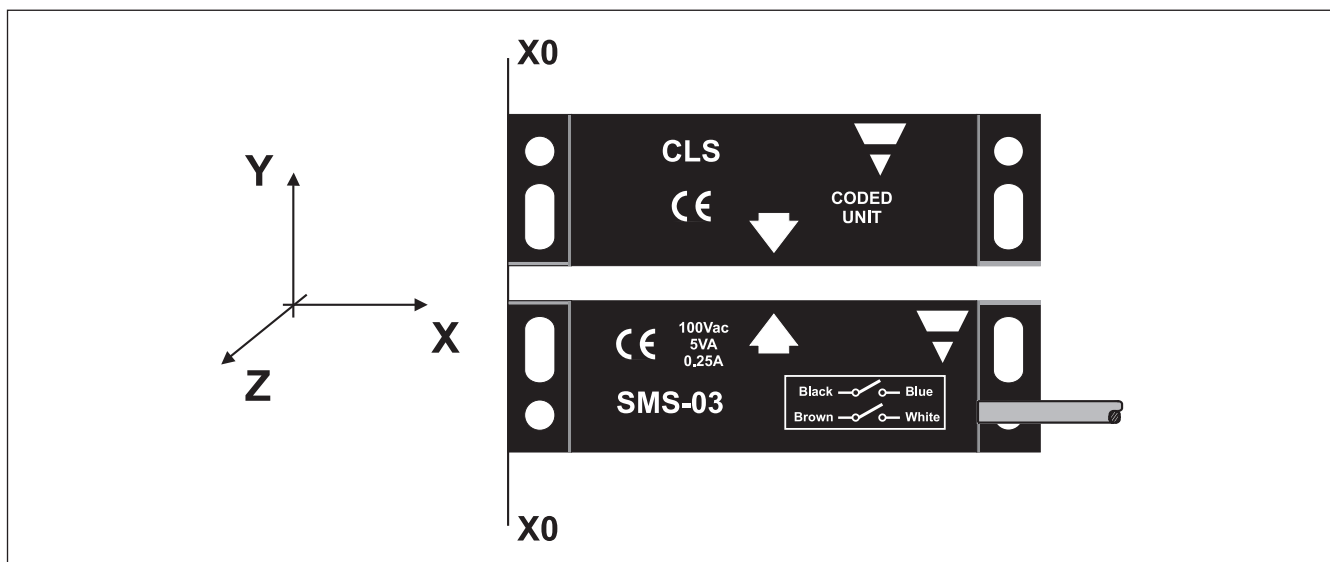
General Specifications

Operating distance ON	20 ± 3 mm	Weight	Approx. 70 g
Release distance OFF	22 ± 5 mm	Environment	Degree of protection IP 67
Reset distance	22 ± 5 mm	Operating temperature	-25 to +70 °C
Suitable magnetic unit	CLS CLSD88PM0 (cULus listed)	Storage temperature	-25 to +70 °C
Misalignment	max± 4 mm	Approvals	SMSAP20
Housing		CE-marking	Yes
Dimensions	88 x 25 x 13 mm		
Material	SMS03 (all) ABS SMSAP20 (all) PBT		

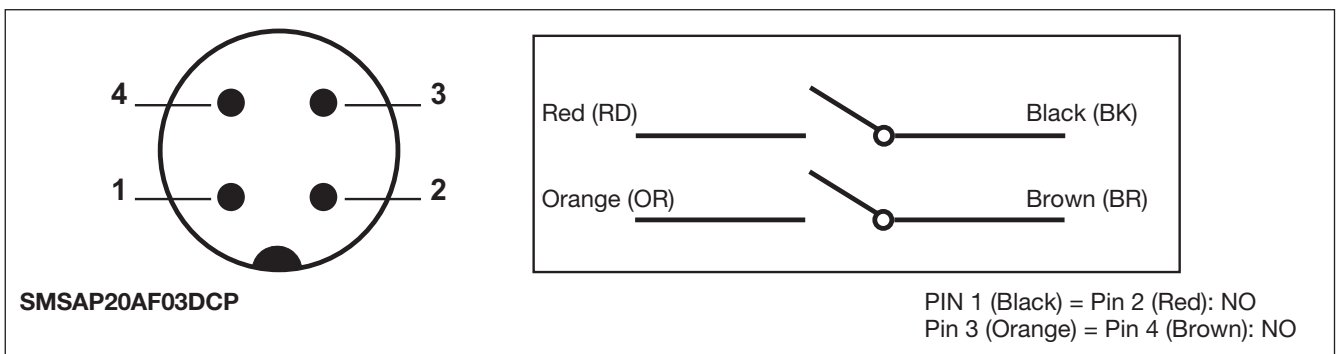
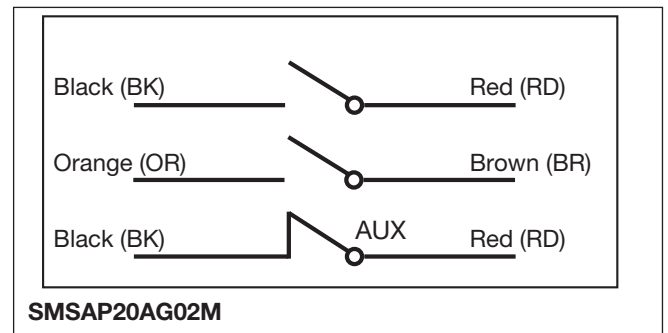
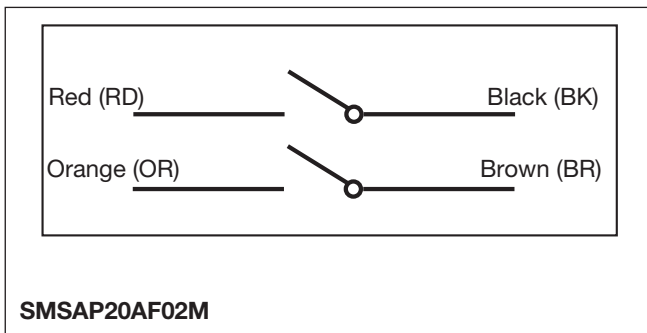
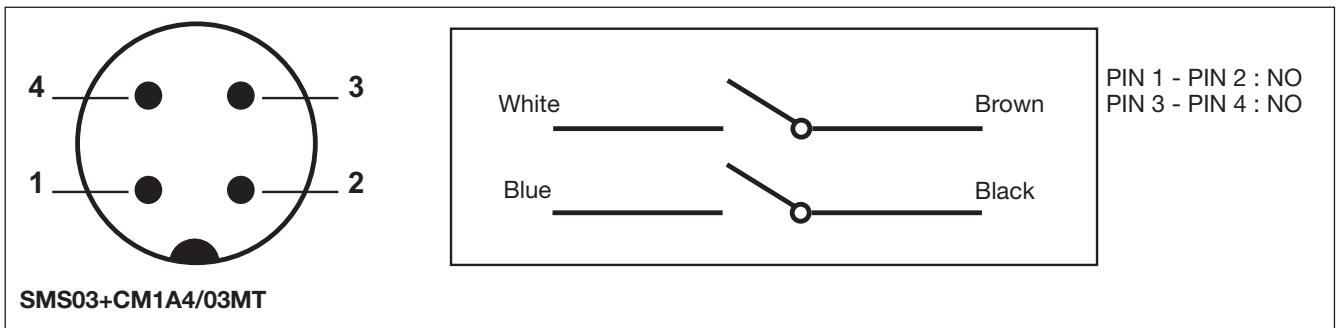
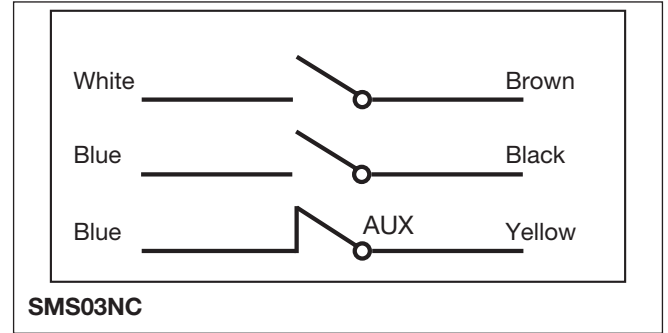
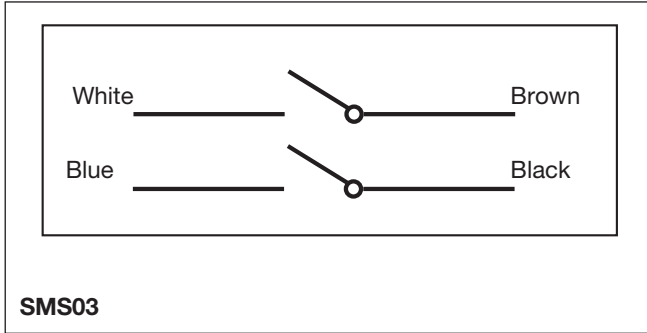
Application



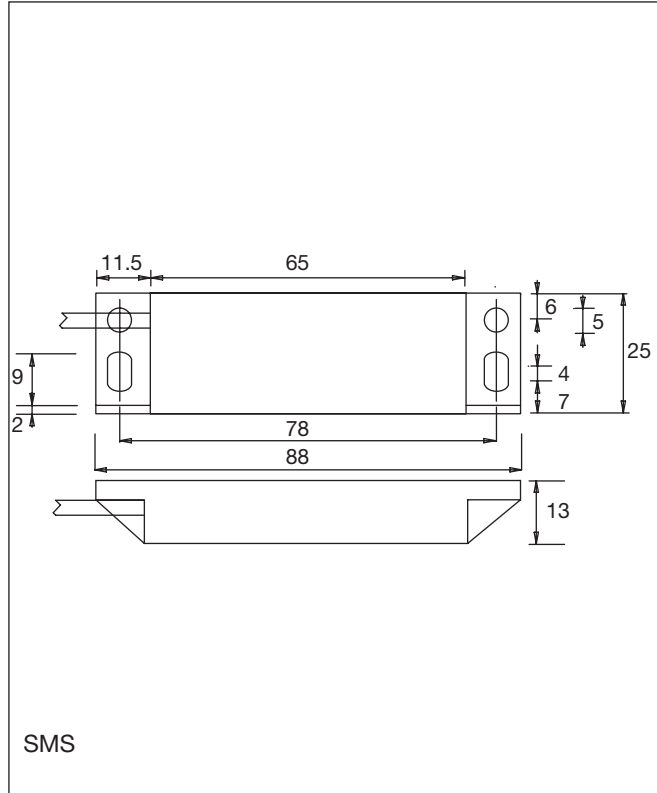
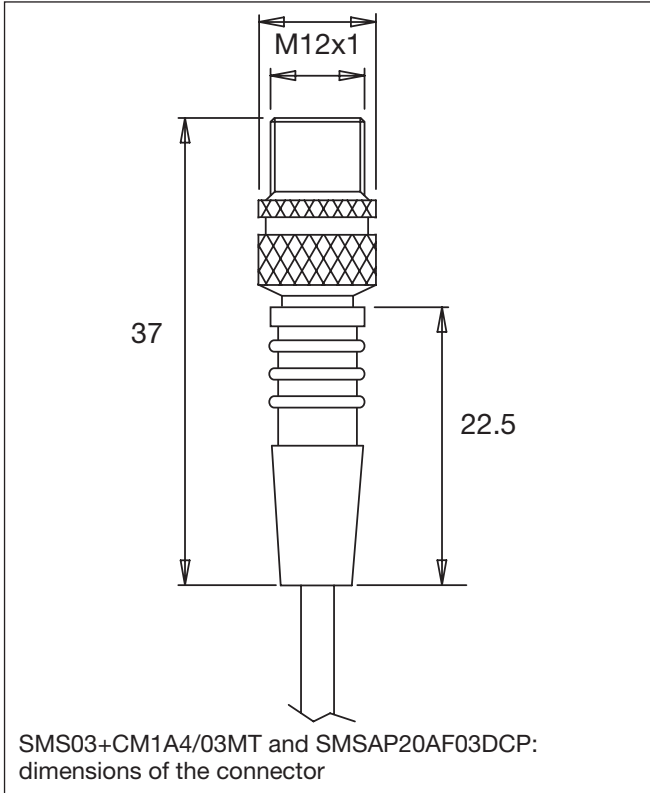
Operating Directions



Wiring Diagrams



Dimensions



X-ON Electronics

Largest Supplier of Electrical and Electronic Components

Click to view similar products for [Industrial Hall Effect/Magnetic Sensors](#) category:

Click to view products by [Carlo Gavazzi](#) manufacturer:

Other Similar products are found below :

[GT-13013](#) [GT-13040](#) [GT-14114](#) [DRR-129\(62-68\)](#) [ATS682LSHTN-T](#) [SR4P2-C7](#) [GT-12076](#) [GT-13012](#) [GT-14049](#) [GT-14067](#) [GT-14132](#)
[GT-18030](#) [103FW12-R3](#) [A1155LLHLT-T](#) [SMSA2P30CG](#) [P2D-000](#) [GN 55.2-SC-15-3](#) [GN 55.2-SC-5-3](#) [MZA70175](#) [103FW41-R1](#) [KJR-](#)
[D100AN-DNA-VE](#) [KJR-D100AN-DNIA-V2](#) [SR-10018](#) [115L 14E 502 W06017](#) [ATS128LSETN-T](#) [TLE4906LHALA1](#) [TLE49452LHALA1](#)
[BU52013HFV-TR](#) [MRMS591A](#) [103SR14A-1](#) [MZT7-03VPS-KR0](#) [MZT7-03VPS-KW0](#) [MZT8-03VPS-KW0](#) [MZT8-28VPS-KP0](#)
[A1326LLHLT-T](#) [A1156LLHLT-T](#) [ACS770LCB-100U-PFF-T](#) [ATS617LSGTN-T](#) [AH49ENTR-G1](#) [SS360PT](#) [SS311PT](#) [GN 55.2-ND-15-3](#)
[GN 55.2-ND-18-3](#) [GN 55.2-ND-8-3](#) [GN 55.2-SC-10-3](#) [GN 55.4-ND-10-7,5-2](#) [GN 55.4-ND-12-9,5-2,5](#) [GN 55.4-ND-26-20,3-5](#) [GN 55.4-ND-](#)
[7,5-4-1,5](#) [101MG7-BP](#)