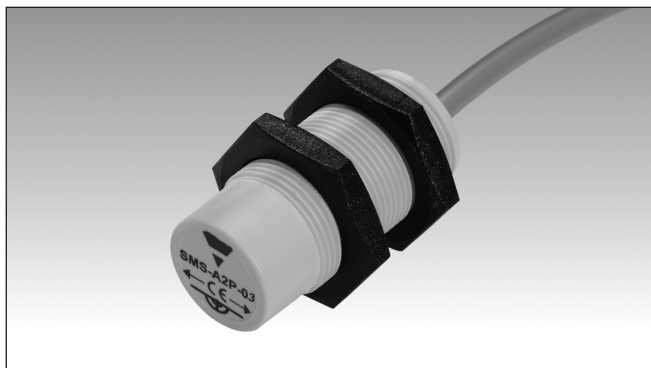


Safety Magnetic Sensors

Cylindrical Safety Magnetic Sensors

Types SMSA2P03, SMSA3P03

CARLO GAVAZZI



- Suitable for applications in safety category 4 in accordance with EN ISO13849-1:2015 when connected to appropriate safety devices
- 2 NO outputs
- Cable output connection
- Cylindrical housing
- Multiple flux coding
- In compliance with CEI EN 60947-5-3:2000

Product Description

The SMSAXP03 series is designed in conformity with EN ISO 12100:2010, EN 60204-1 and EN 1088. It is characterised by multiple flux coding and is suited for applications up to safety Category 4, in accordance with EN ISO13849-1:2015 when connected to appropriate safety devices.

Ordering Key

SMS A2 P 03

Safety magnetic sensor
 Diameter
 Housing material
 Contact type

Type Selection

Output	Operating distance	Safety category	Item code
2 NO	16 mm	4	SMSA2P03
2 NO	16 mm	4	SMSA3P03

Output Specifications

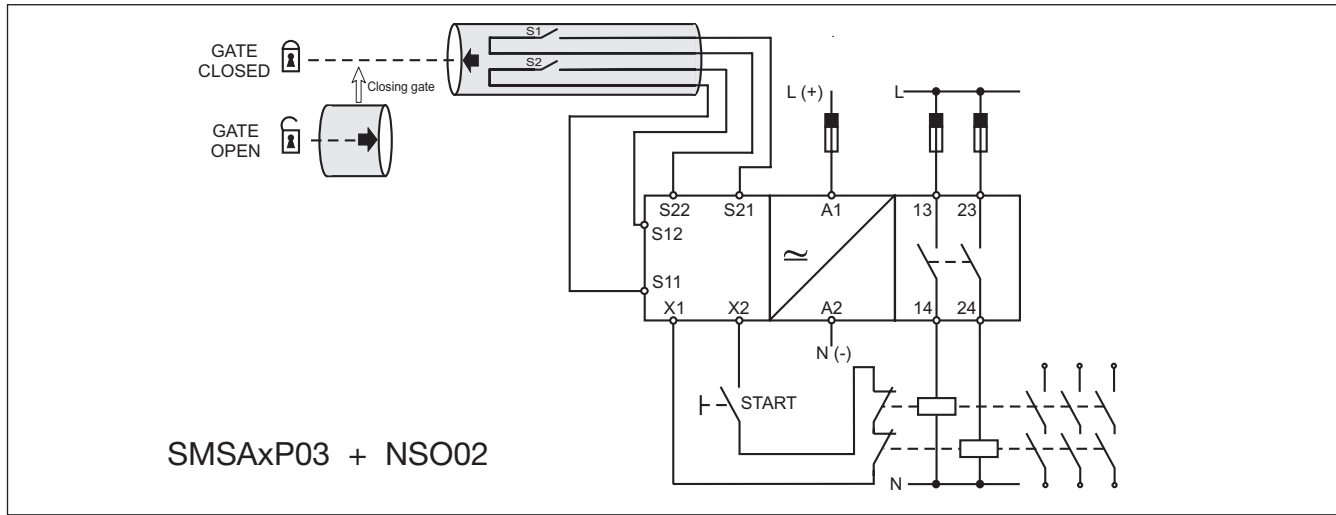
Output	Category 4 (EN ISO13849-1:2015) 2 NO
Output connection	Cable (PVC, AWG 26, L = 2 m, 4 x 0.15 mm ²)
Contact ratings Max Switching Voltage Max Switching Current Max Switching Power	100 VAC 0.25 A 5 VA

General Specifications

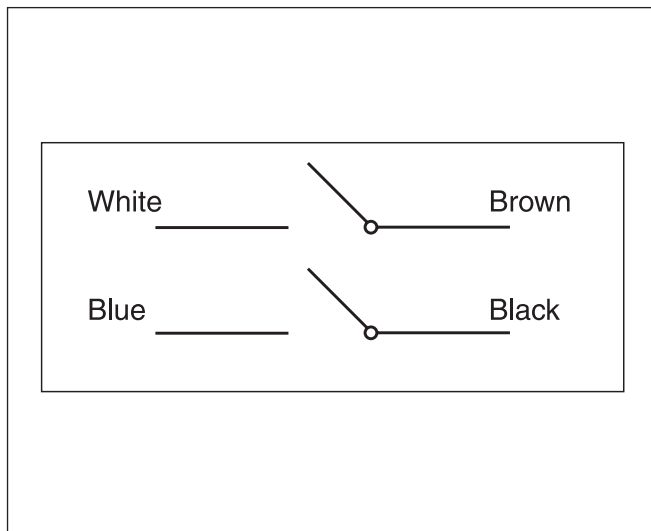
Operating distance ON	16 ± 5 mm
Release distance OFF	20 ± 6 mm
Reset distance	20 ± 6 mm
Suitable magnetic unit SMSA2P03 SMSA3P03	CLSA2 CLSA3
Misalignment	max ± 2 mm
Housing Dimensions SMSA2P03 SMSA3P03 Material	M18x1 M30x1.5 Plastic
Weight	Approx. 70 g
Environment Degree of protection Operating temperature Storage temperature	IP 67 -25 ÷ +70 °C -25 ÷ +70 °C
CE-marking	Yes



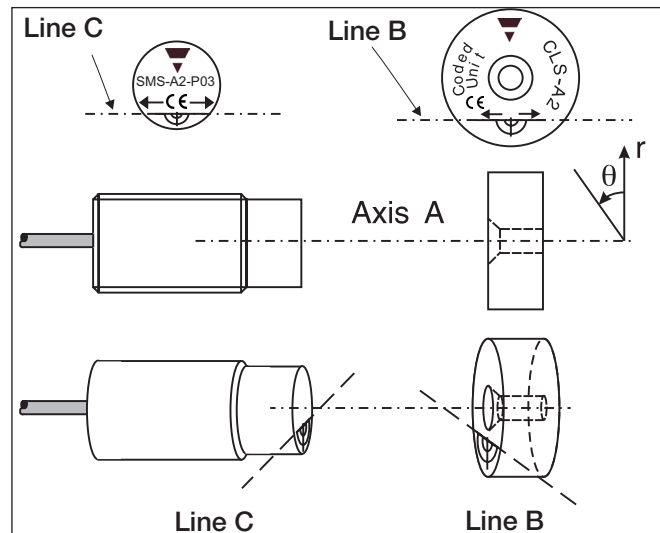
Application



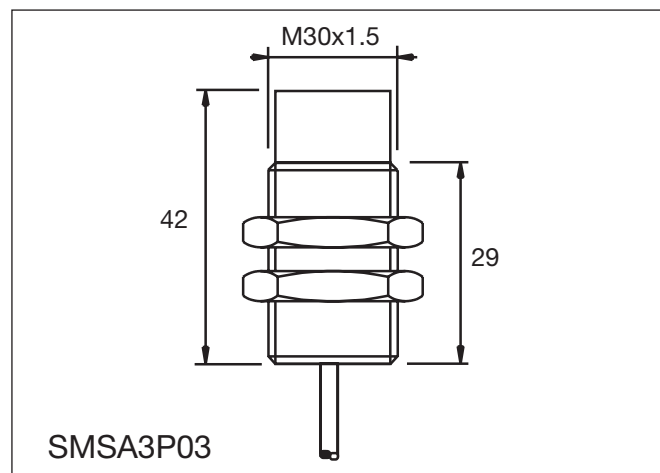
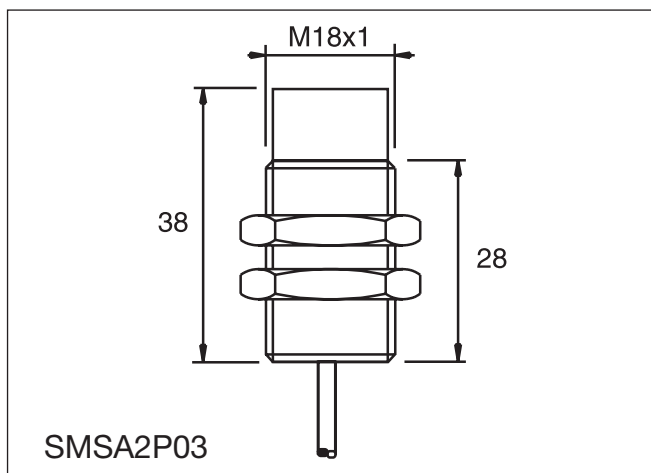
Wiring Diagrams



Operating Directions



Dimensions



X-ON Electronics

Largest Supplier of Electrical and Electronic Components

Click to view similar products for [Industrial Hall Effect/Magnetic Sensors](#) category:

Click to view products by [Carlo Gavazzi](#) manufacturer:

Other Similar products are found below :

[GT-13013](#) [GT-13040](#) [GT-14114](#) [GT-14123](#) [SR4P2-C7](#) [GT-12076](#) [GT-13012](#) [GT-14049](#) [GT-14067](#) [GT-14132](#) [GT-18030](#) [103FW12-R3](#)
[SMSA2P30CG](#) [103FW41-R1](#) [SR-10018](#) [PST360G2-1S-C0000-ERA360-05K](#) [103SR14A-1](#) [101MG7-BP](#) [A1389LUA-9-T](#) [MXM1120KIT](#)
[MXM1120SOKIT](#) [A1220LLHLT-T](#) [AA006-02E](#) [ACX04-F99-I-V15](#) [PW520000](#) [ADH025-00E](#) [RZT7-03ZRS-KP0](#) [PSC360G2-F1A-C0000-](#)
[ERA360-RE-K](#) [PSC360G2-F2AA-C0002-ERA360-05K](#) [PST360G2-2AA-C0002-ERA360-05K](#) [SM451RT](#) [AA005-02E](#) [ACW400-0360-002](#)
[M9105/K06](#) [PS2P-CON-CE-M001-1A0-C0007-ERA180-05](#) [PS2P-CON-CE-M001-1A0-C0007-ERA360](#) [PSC360G2-F1A-C0000-ERA360-](#)
[05K](#) [PSC360G2-F1A-C0000-ERA360-RE](#) [PSC360G2-F1A-C0007-ERA180-05K](#) [PSC360G2-F1A-C0011-ERA090-05K](#) [PSC360G2-F-1P-](#)
[C0000-ERA360-05K-F200](#) [PST360G2-1A-C0000-ERA360-05K](#) [PST360G2-1A-C0000-ERA360-RE](#) [PST360G2-1A-C0007-ERA180-05K](#)
[PST360G2-1A-C0011-ERA090-05K](#) [PST360G2-B1A-C0000-ERA360-05K](#) [P2S-001](#) [ACW400-0090-007](#) [ACW400-0090-008](#) [ACW400-](#)
[0360-018](#)