

Switching Power Supply Type SPD 240W DIN rail mounting



- Universal AC input full range
- Installation on DIN rail 7.5 or 15mm
- Short circuit protection
- PFC as standard
- High efficiency
- Power ready output
- LED indicator for DC power ON
- LED indicator for DC low
- Parallel connection feature
- Compact dimensions
- UL, cUL listed and TUV/CE approved

Product Description

The Switching power supplies and compact dimensions and SPD series are specially designed to be used in all automation application where the installation is on a DIN rail performance are a must.

Ordering Key

SP D 24 240 1 B

Model _____
 Mounting (D = Din rail) _____
 Output voltage _____
 Output power _____
 Input Type _____
 Optional features _____

Input type: 1= single phase

Approvals



Optional Features

Description	Code
Plug-in connectors	B

Output performances

MODEL NO.	INPUT VOLTAGE	OUTPUT WATTAGE	OUTPUT VOLTAGE	OUTPUT CURRENT	EFF. (min.)	EFF. (typ.)
Single Output Models						
SPD24	115~230 VAC	240 WATTS	+ 24 VDC	10 A	87%	89%
SPD48	115~230 VAC	240 WATTS	+48 VDC	5 A	88%	90%

Output data

Line regulation	± 0.5%	Hold up time Vi= 115VAC Vi= 230VAC	25ms 30ms
Load regulation		Voltage fall time (I _{0nom})	150ms max
Vi nom, Single mode	± 1	Rated continuous loading	
Io min, Io nom parallel mode	± 5	24V Model	10A @ 24VDC/8.4A @ 28.5VDC
Minimum load	0	48V Model	5A @ 48VDC/4.2A @ 56VDC
Turn on time (full resistive load)		Reverse voltage	
Vi nom, Io nom	1000ms	24V Model	35VDC
Vi nom, Io nom with 7000µF CAP	1500ms	48V Model	63VDC
Transient recovery time	2ms	Capacitor load	7000µF
Ripple and noise	100mVpp	Voltage rise time	
Output voltage accuracy	± 1%	Vi nom Io nom	150ms
Temperature coefficient	± 0.03%/°C	Vi nom, Io nom with 7000µF CAP	500ms

Input data

Rated input voltage	115 - 230	Power dissipation	
Voltage range		(Vi : 230VAC, Io nom) 24V Model	35W
AC in 115V	90 - 132VAC	48V Model	32W
AC in 230V	180 - 264VDC	Frequency range	47 - 63Hz
DC in	210 - 375VDC	Leakage current	
Rated input current		Input-Output	0.25mA
(Vi : 115VAC, Io nom) Typ.	4.4/1.6mA	Input-FG	3.5mA
Max.	5.4/2.2mA		
Inrush current			
Vi= 115VAC	30A		
Vi= 230VAC	60A		

Controls and Protections

Overload	120 - 140%	Over voltage protection	125-140%
Input fuse	T6.3/250VAC internal ¹⁾	Internal surge voltage protection	Varistor
Output short circuit	Fold forward	(IEC 61000-4-5)	
Power ready output (only SPD 24)			
Threshold voltages	17.6 - 19.4VDC		

¹⁾ Fuse not replaceable by user

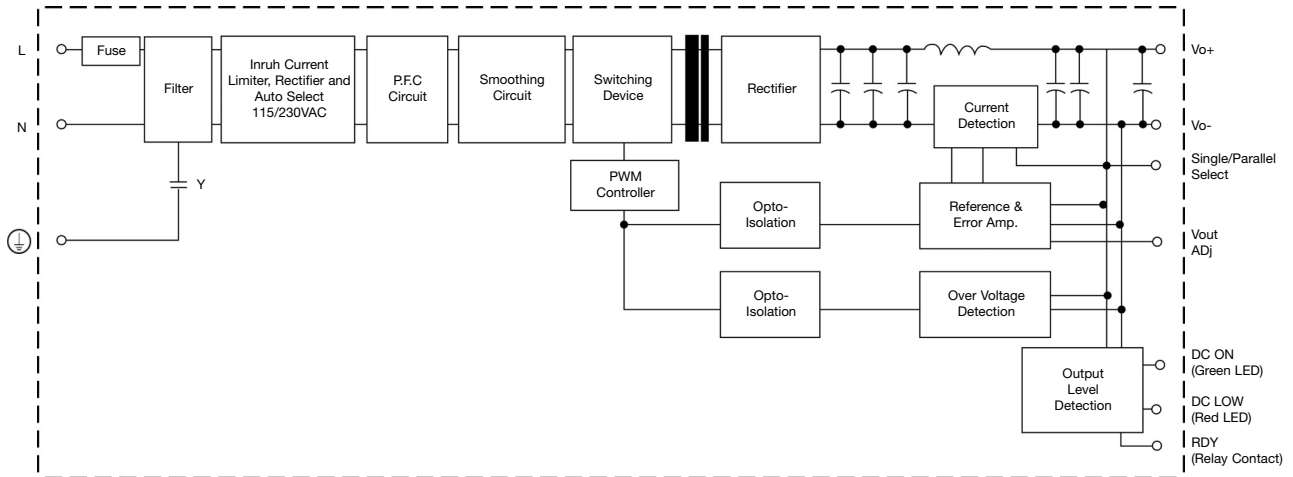
General Data (@ nominal line, full load, 25°C)

Ambient temperature	-40°C to 71°C	MTBF (Bellcore issue 6 @ 40°C, GB)	
Derating (>61°C to +71°C)	2.5%/°C	24V Model	423000 Hours
Ambient humidity	20 ~ 90%RH	48V Model	437000 Hours
Storage	-40°C to +85°C	Case material	Metal
Protection degree	IP20	Dimensions LxWxD mm(inch)	
Cooling	Free air convection	Screw terminal type	124.5(4.9) x 83.5(3.29) x 123.6(4.87)
Pollution degree	2	Detachable connector type	143.5(5.65) x 83.5(3.29) x 123.6(4.87)
		Weight	1380g

Norms and Standards

Vibration resistance	meet IEC 60068-2-6 (Mounting by rail: 10-500Hz, 2G, along X, Y, Z each Axis, 60 min for each Axis)	CE	EN 61000-6-3, EN 55022 Class B, EN 61000-3-2 ClassD, EN 61000-3-3, EN 61000-6-2, EN 55024, EN 61000-4-2 Level 4, EN 61000-4-3 Level 3, EN 61000-4-4 Level 4, EN 61000-4-5 L- Level 3, L/N-FG Level 4, EN 61000-4-6 Level 3, EN 61000-4-8 Level 4, EN 61000-4-11, ENV 50204 Level 2, EN 61204-3
Shock resistance	meet IEC 60068-2-27 (15G, 11ms, 3 Axis, 6 faces, 3 times for each face)		
UL / cUL	UL508 listed, UL60950-1, recognized, ISA 12.12.01 (Class1, Division 2, Groups A, B, C and D)		
TUV	EN 60950-1, CB scheme EN 61558-1, EN 61558-2-17 (meet EN 60204)		
CCC	Available upon request		

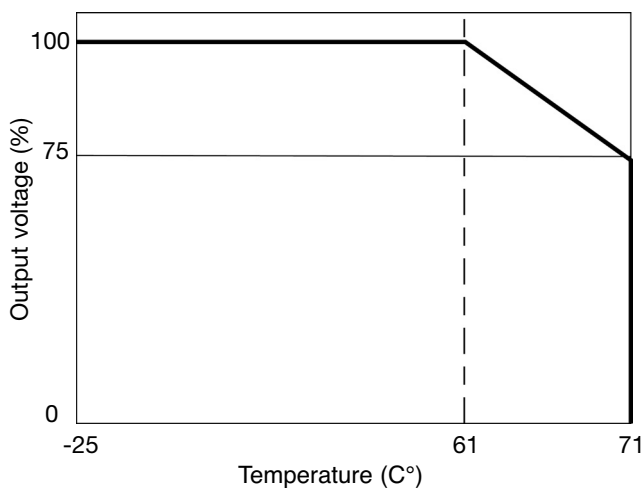
Block diagrams



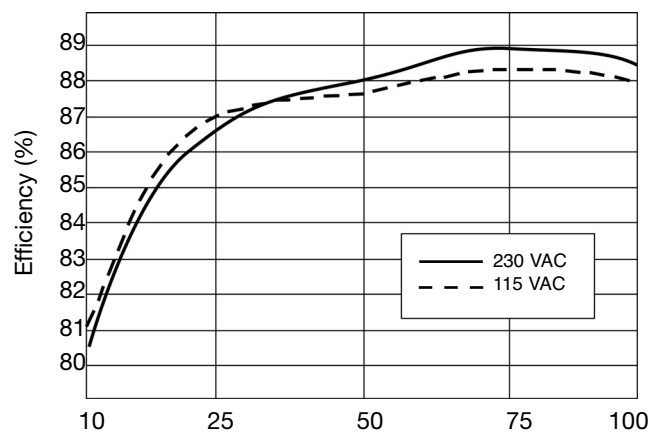
Pin Assignment and Front Controls

Pin No.	Designation	Description
1	RDY	A Normal open relay contact for DC ON level control
2		(Never connect except 24V model)
3, 4	V+	Positive output terminal
5, 6	V-	Negative output terminal
7		Ground this terminal to minimize high-frequency emission
8	L	Input terminals (phase conductor, no polarity at DC input)
9	N	Input terminals (neutral conductor, no polarity at DC input)
	DC ON	Operation indicator LED
	Vout ADJ	Trimmer-potentiometer for Vout adjustment
	S/P	Single/Parallel select switch

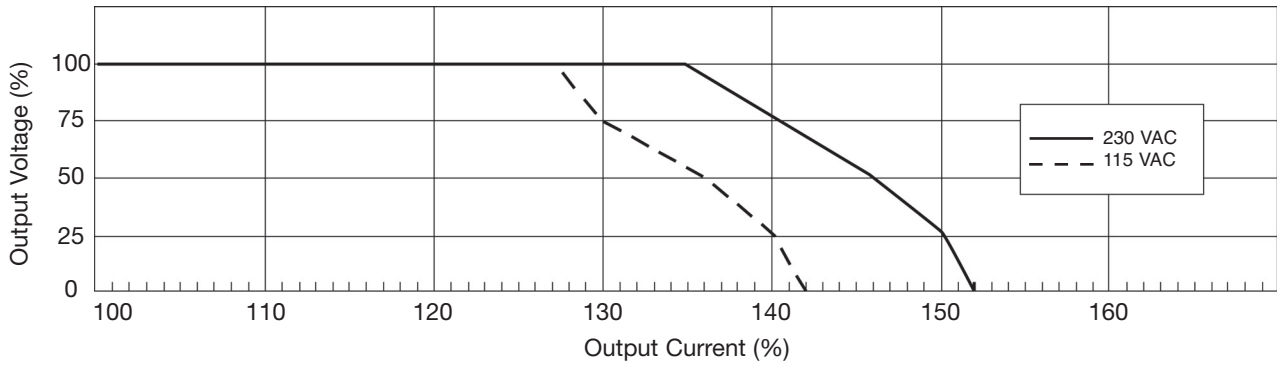
Derating Diagram



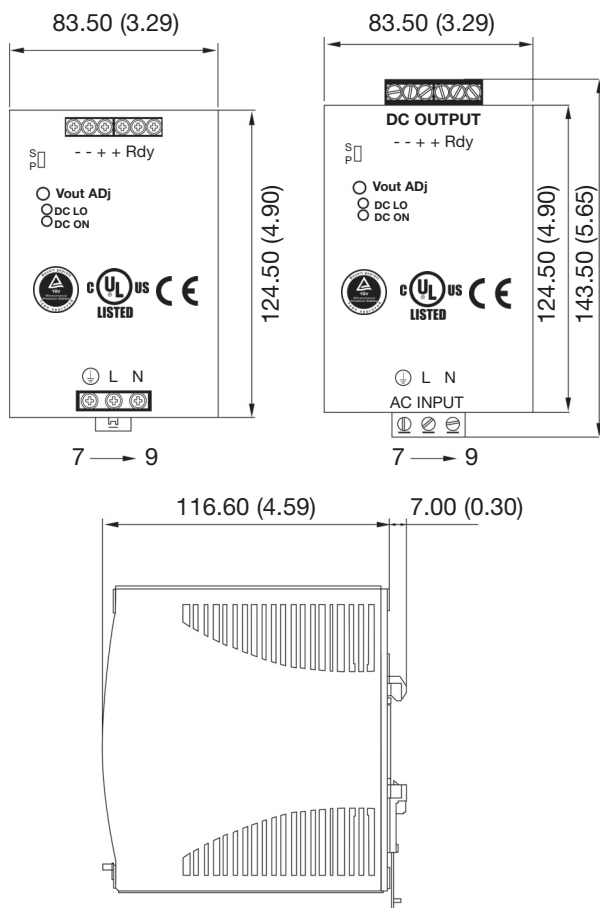
Typ. Efficiency Curve



Typ. Current Limited Curve



Mechanical Drawings mm (inches)



Installation

Ventilation and cooling

Normal convection
 All sides 25mm free space
 for cooling is recommended

Screw connections

10-24AWG flexible or solid cable
 8mm stripping recommend

Max. torque for screws terminals

Input terminals 1.008Nm (9.0lb-in)
 Output terminals 0.616Nm (5.5lb-in)

Plug-in connectors

10-24AWG flexible or solid cable
 7mm stripping recommend

Max. torque for plug-in terminals

Input terminals 0.784Nm (7.0lb-in)
 Output terminals 0.784Nm (7.0lb-in)

X-ON Electronics

Largest Supplier of Electrical and Electronic Components

Click to view similar products for [DIN Rail Power Supplies](#) category:

Click to view products by [Carlo Gavazzi](#) manufacturer:

Other Similar products are found below :

[PS-S6024](#) [DVP01PU-S](#) [DVP06AD-S](#) [DVP06XA-S](#) [DVDPNET-SL](#) [DVPDT01-S](#) [DVPPS01](#) [PS-6012](#) [PS9Z-5R1G](#) [PS-C24024](#)
[DVP08ST11N](#) [DVPACAB530](#) [DVPCOPM-SL](#) [DVPEN01-SL](#) [DVPPF01-S](#) [ADNB008-48-1PM-C](#) [ADNB017-24-1PM-C](#) [ADNB040-24-1PM-C](#) [ADNB050-12-1PM-C](#) [ADNB040-15-1PM-C](#) [ADNB034-12-1PM-C](#) [S8TS-06024-E1](#) [PS-UPS40](#) [PSC-6024](#) [PSD-A60W12](#) [96PS-A120WDIN](#) [PSD-A60W48](#) [PSD-A40W12](#) [PSD-A40W24](#) [SMP21-L20-DC24V-5A](#) [PSD-A40W48](#) [S8T-DCBU-02](#) [PS-S4024](#) [NTPS-24-1.3](#)
[PST-96024](#) [S82YVSC4P](#) [PS-S4005](#) [PS-10024](#) [PS-S10024](#) [PS-C12024](#) [PSP-480S24](#) [PS-C48024](#) [PSC-2024](#) [PSC-4012](#) [PSC-4015](#) [PSC-4048](#)
[PSC-9615](#) [PSC-15124](#) [PSC-15148](#) [PSC-24148](#)