

Ultrasonic Thru Scan, NPN Output Type UC 80 CNS 40 NO



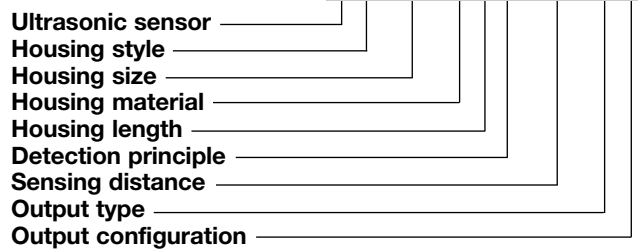
- 80 x 80 x 43 mm polyester housing
- Sensing distance: 40-4000 mm
- Retro-reflective
- Teach-in adjustment
- Output: NPN
- Power supply: 19 to 30 VDC
- 8° beam angle
- Alignment LED
- Protection: Short-circuit, reverse polarity, transients
- Protection degree IP 67

Product Description

A diffuse ultrasonic sensor with a sensing of 400-4000 mm with a NPN transistor output. Both the housing and the sensor transducer are designed for tough environment. A high carrier frequency secures a precise measuring

and high noise immunity. Due to use of microprocessor control the digital filtering make the sensor very immune against most electromagnetic interferences and enables synchronisation in an easy way.

Ordering Key **UC 80 CNS 40 NO**



Type Selection

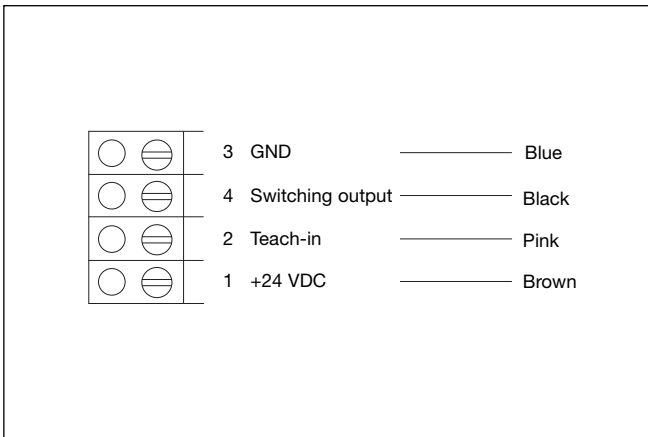
Housing dimensions	Connection	Rated operating dist. (S _r)	Ordering no. Thru Scan, NPN
80 x 80 x 43 mm	Screw terminals	400-4000 mm	UC 80 CNS 40 NO

Specifications

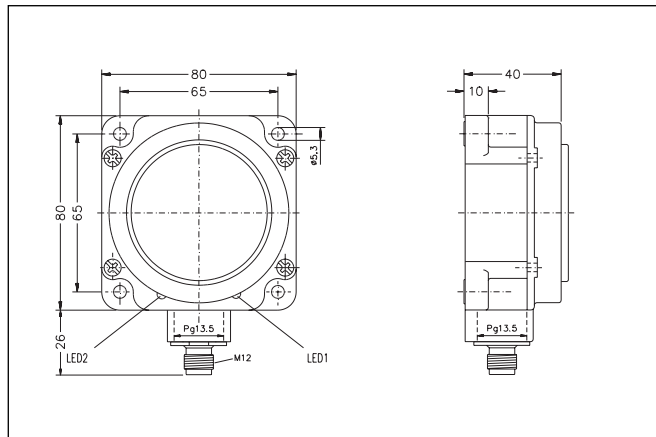
Rated operational volt. (U_e)	19 to 30 VDC (ripple included)	Rated operating distance	400-4000 mm
Ripple	≤ 10%	Carrier frequency	120 kHz
No-load supply current (I_o)	≤ 50 mA	Beam angle	8°
Protection	Short-circuit, transients and reverse polarity	Ambient temperature	Operating: 0° to +70°C (32° to +158°F) Storage: -20° to +80°C (-4° to +176°F)
Rated insulation voltage	> 1 kV	Degree of protection	IP 67 (Nema 1, 3, 4, 6, 13)
Output	Transistor, NPN	Housing material	Polyester PBTP
Resolution	min. 20 mm	Dimensions	80 x 80 x 43 mm
Linearity	0.5%	Connection	Screw terminals, PG 13.5
Repeatability	0.5%	Weight	250 g
Temperature deviation	1%	CE-marking	Yes
Temperature compensation	Yes		
Indications			
Alignment	LED, green		
Output status	LED, yellow		



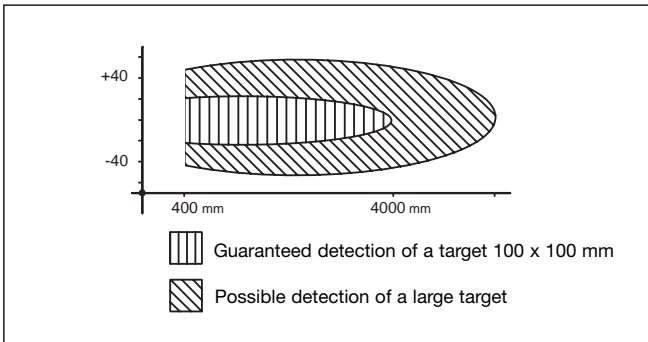
Wiring Diagram



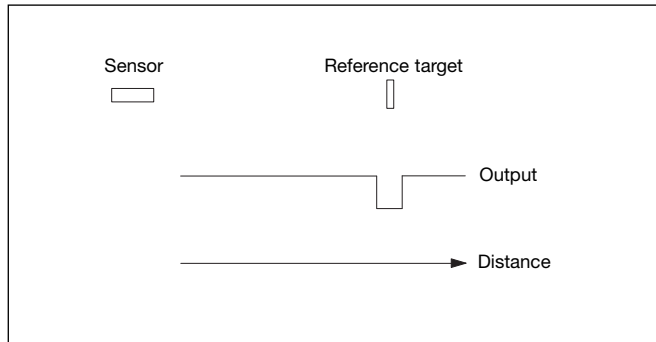
Dimensions



Detection Range



Function Diagram



Installation Hints

<p>To avoid interference from inductive voltage/current peaks, separate the prox. switch power cables from any other power cables, e.g. motor, contactor or solenoid cables</p>	<p>Relief of cable strain</p> <p>The cable should not be pulled</p>	<p>Protection of the sensing face</p> <p>A proximity switch should not serve as mechanical stop</p>	<p>Switch mounted on mobile carrier</p> <p>Any repetitive flexing of the cable should be avoided</p>
---	---	---	--

X-ON Electronics

Largest Supplier of Electrical and Electronic Components

Click to view similar products for [Specialised Cables](#) category:

Click to view products by [Carlo Gavazzi](#) manufacturer:

Other Similar products are found below :

[603PT6](#) [603SS6L](#) [604PT6](#) [604SS6](#) [706000D02F200](#) [910640](#) [1200740077](#) [1200740114](#) [AC172](#) [ACL-SSI-4](#) [R88ACAKA0015SRE](#)
[R88ACAWL005SDE](#) [R88ACRGD0R3C](#) [1300150047](#) [1300660036](#) [1302262116](#) [1300150149](#) [1300220020](#) [1300220104](#) [1300220119](#)
[1301240492](#) [1301810221](#) [1365323-1](#) [176P12](#) [1971465-2](#) [20240400003](#) [20240400013](#) [2085828-1](#) [20886510030](#) [2-22733-8](#) [22733-8](#) [CB-](#)
[5PSBC-RS](#) [CB-704EC-RS](#) [CB-BATACC-RS](#) [CB-JST3PSW-RS](#) [CB-M12COM-R10](#) [25AC84](#) [25AK84X](#) [25AU25](#) [25FN82](#) [AC118](#) [ACL-](#)
[HHS-1M\(CAT5E\)](#) [SSL009PC2DC012N](#) [FC2A-KC6C](#) [2085828-2](#) [20886510150](#) [CCS-FCB-5](#) [CCSFCBF2](#) [R88A-CRWB020N](#) [416216000-3](#)