

# Conductive Sensors Level Hanging Probes Types VH3, VH4

CARLO GAVAZZI



- Electrodes for swimming pools, wells and reservoirs
- **VH3:** Resistant to high levels of chlorine and salt water with a high level of salinity
- **VH4:** Simple and easy to install level probes for general use. With double screw terminal for secure cable connection
- Can be used outdoors under sunlight
- Without (VH4) or with (VH3) 6m UV resistant PVC cable.
- Snap-on bracket for easy and secure installation



## Product Description

VH3 is a level hanging probe specifically designed to be used in swimming pools and resists high chlorine and high salinity sea water. It is also suitable to be used in wells, reservoirs and tanks. VH4 is a simple and easy to

install level probe for general use. VH3-4-MB1 Snap-on brackets for easy and secure installation. For use with the level amplifier CLD/CLP series.

## Ordering Key

**VH 3**

Type \_\_\_\_\_

## Type Selection

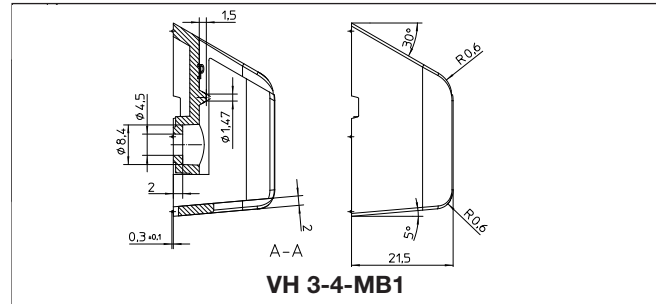
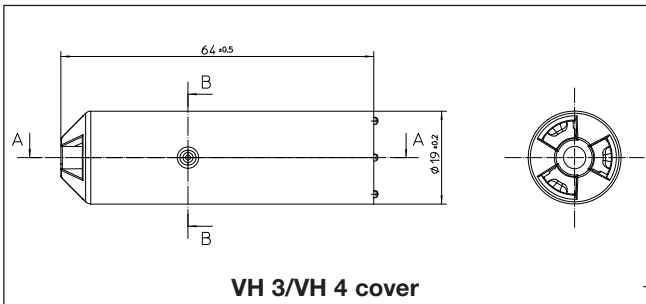
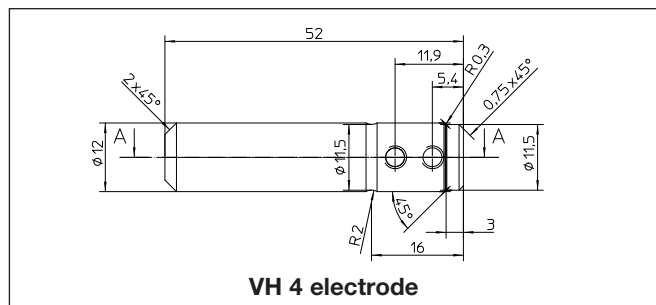
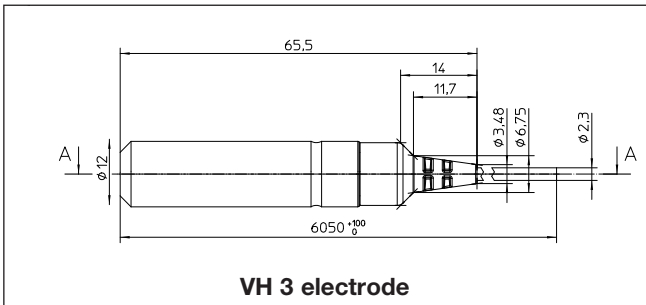
Cable	Ordering no. 1 electrode	Ordering no. Snap-on bracket
6m cable	<b>VH 3</b>	<b>VH3-4-MB1*</b>
No cable	<b>VH 4</b>	

\* Bracket to be purchased separately. Bracket only for VH3 and VH4.

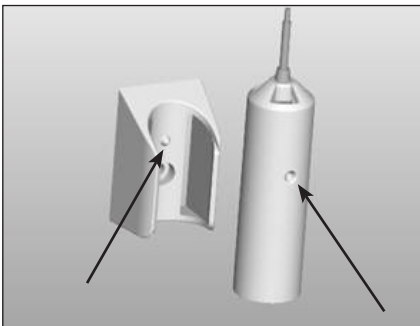
## Specifications

<b>Electrodes</b>	VH3 VH4	Stainless steel AISI316 Stainless steel AISI304	<b>Weight</b>	VH3 with cable VH4 Cover VH3-4-MB1	182 g 50 g 10 g 10 g
<b>Housing</b>			<b>Environment</b>		
Material	VH3 over mould VH3, VH4 Cover VH3-4-MB1 Bracket	PA6 Polycarbonate Polycarbonate	Degree of protection	VH3	IP67 (IEC 60529)
Dimensions	VH3 electrode VH4 electrode Cover	Ø 12 x 65.5 mm Ø 12 x 52 mm Ø 19 x 65 mm	Operating temperature	VH3, VH4	0°C to +80°C
Connection	VH3 VH4	Cable 6m, 1 x 1.5 mm <sup>2</sup> , UV resistant PVC Screw terminal VH4 M4 x 6mm pinol screw stainless steel AISI304	Storage temperature	VH3, VH4	-25°C to +80°C
Tightening torque	VH3-4-MB1	min/max 0.4Nm/0.8Nm DIN85 M4 Pan head screw	Vibration		10-150 Hz, 1mm/7.5 g IEC 60068-2-6)
Recommended VH4 cable cross section		Min. 1 x 0.75 mm <sup>2</sup> , Max. 1 x 2.5 mm <sup>2</sup>	Rough handling		2 x 1 m & 100 x 0.5 m (IEC 60068-2-31)
Outer diameter		Max. Ø 4 mm	Shock		11 ms x 30 g (IEC 60068-2-27)
			<b>Approvals</b>		CE marking: EN 60947-1 RoHS

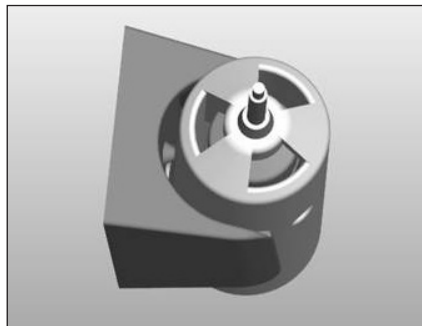
## Dimensions



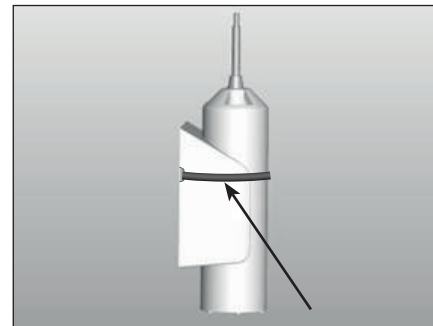
## Installation Hints



**Step 1**  
Align the probe to the positioning pin of the bracket. Clamp the probe firmly in place.

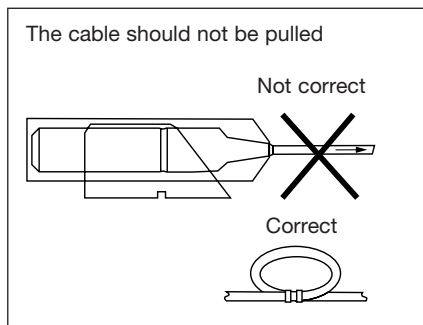


**Step 2**  
A misalignment of the pin and the blind hole prevents proper installation of the probe.



**Step 3**  
Once the probe is snapped into the bracket, you can secure it with a cable tie around the recess on the rear of the bracket.

### Relief of the cable strain



## X-ON Electronics

Largest Supplier of Electrical and Electronic Components

*Click to view similar products for [Liquid Level Sensors](#) category:*

*Click to view products by [Carlo Gavazzi](#) manufacturer:*

Other Similar products are found below :

[FSH-21](#) [FSH-25](#) [FSH-34](#) [FSH-35](#) [FSV-31](#) [FSV-35](#) [RSF54H100R1/8](#) [LRNH31S41](#) [F03-16SFC-10M](#) [F03-16SF-5M](#) [F03-16PE-5M](#) [F03-16PT-5M](#) [LBFS 1151](#) [SCN-1518SC](#) [LL103000](#) [LRNR31N01](#) [MS03-PP](#) [F03-16SF-10M](#) [KSL-100-1](#) [LS01-1B66-PP-500W](#) [LS02-1B66-S-500W](#) [LS02-1B85-PP-5000W](#) [LS03-1A85-PP-500W](#) [LRNH31S42](#) [59630-1-T-02-F](#) [LS04-1B66-2-500W](#) [LFFS 011](#) [T0-SKF-0.5](#) [T0-SKF-10](#) [T0-SKF-5](#) [VNI3](#) [CLP2FA1BM24](#) [VNI1](#) [LBFS 0111](#) [LFFS 014](#) [KSL-88-PP](#) [KSL-99-1](#) [LS02-1A85-PP-500W](#) [LS02-1B85-PP-500W](#) [LS03-1A85-PA-500W](#) [MIC 1000-20](#) [700670](#) [BAF147B002-00A0](#) [DFT-110](#) [DFT-220](#) [A94-10](#) [CA30CLL30BP](#) [CA30CLL30BPM1](#) [CLE1](#) [CLE1K](#)