

# Conductive Sensors Level Probes Types VN, VNY, VPC, VPP

CARLO GAVAZZI



- 1 to 4 electrodes
- Isolated or unisolated electrodes
- Cable or screw connection
- 1/2", 1" or 1 1/2" without pipe thread according to ISO 228/1-Gxxx"



## Product Description

Level sensor for measuring the level of conductive liquids, i.e. max./min. control of charging or discharging. The function is determined

by the amplifier relay used. The sensors are delivered with standard length electrodes - these are cut off to suit the application.

## Ordering Key

**VPC 110**

Type \_\_\_\_\_  
Housing material \_\_\_\_\_  
Number of electrodes \_\_\_\_\_  
Thread \_\_\_\_\_

## Type Selection

Pipe thread	Electrode isolation	Housing Material	Ordering no. 1 electrode	Ordering no. 2 electrodes	Ordering no. 3 electrodes	Ordering no. 4 electrodes
1 1/2"	No	Nylon 6	<b>VN 1</b>	<b>VN 2</b>	<b>VN 3</b>	<b>VN 4</b>
1 1/2"	No	Nylon 6	<b>VNY 1</b>	<b>VNY 2</b>	<b>VNY 3</b>	<b>VNY 4</b>
1 1/2"	Polyethylene	Nylon 6	<b>VNI 1</b>	<b>VNI 2</b>	<b>VNI 3</b>	<b>VNI 4</b>
1 1/2"	Polyethylene	Nylon 6	<b>VNYI 1</b>	<b>VNYI 2</b>	<b>VNYI 3</b>	<b>VNYI 4</b>
1/2"	Polyethylene	PVC	<b>VPC 105</b>	<b>VPC 205</b>		
1"	Polyethylene	PVC	<b>VPC 110</b>	<b>VPC 210</b>	<b>VPC 310</b>	
1/2"	Kynar (PVDF)	Polypropylene	<b>VPP 105</b>	<b>VPP 205</b>		
1"	Kynar (PVDF)	Polypropylene	<b>VPP 110</b>	<b>VPP 210</b>	<b>VPP 310</b>	

## Specifications

### Electrodes

Material	Stainless steel AISI316/DIN1.4401
Standard length VN, VNY VPC, VPP	100 cm 50 cm
Diameter VN, VNY VPC, VPP	Ø 5 mm Ø 4 mm

### Housing

Connection VN VNY, VPC, VPP	Cable (PVC), 2 m Screw terminals
-----------------------------------	-------------------------------------

### Environment

Degree of protection	IP 67
Operating temperature VN, VNY VPC VPP	0 to 90°C (32° to 194 °F) 0 to 60°C (32° to 140 °F) 0 to 100°C (32° to 212 °F)
Storage temperature VN, VNY VPC, VPP	-25° to 100°C (-13° to 212°F) -20° to 110°C (-40° to 230°F)
Pressure VN, VNY, VPP VPC	10 bar at 60°C 2 bar at 60°C

### CE marking

IEC 529

## Mode of Operation

The length of the electrodes determines the levels which will be detected and the amplifier chosen determines the function (see SV...,

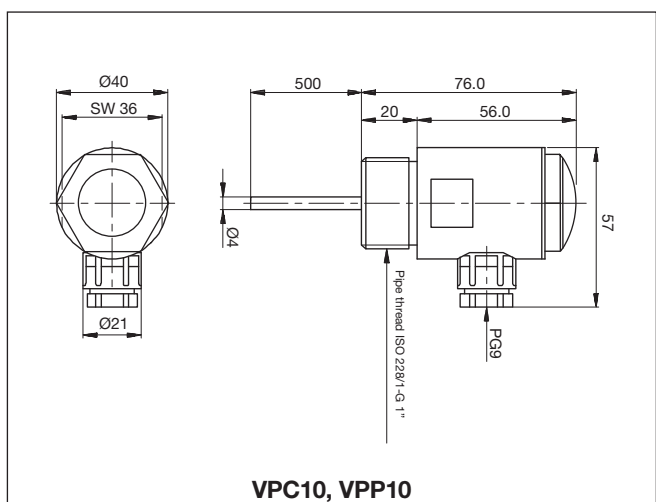
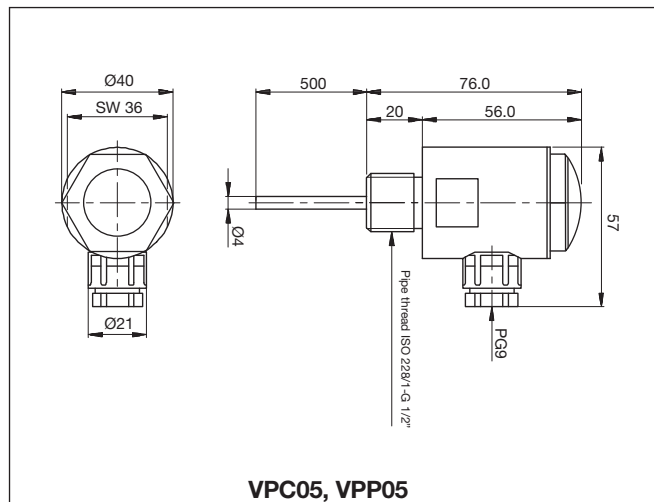
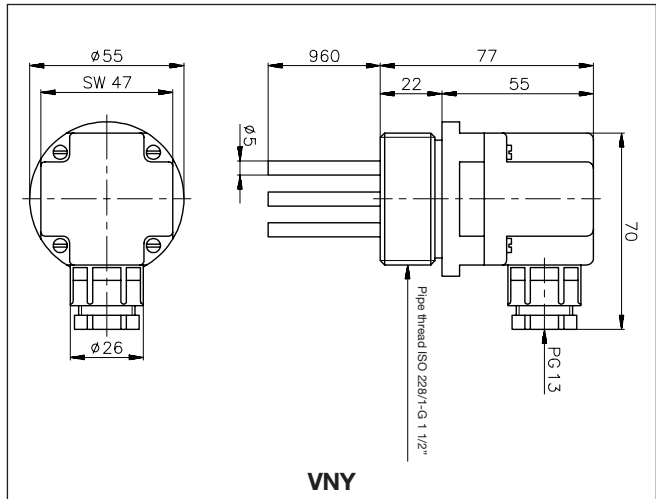
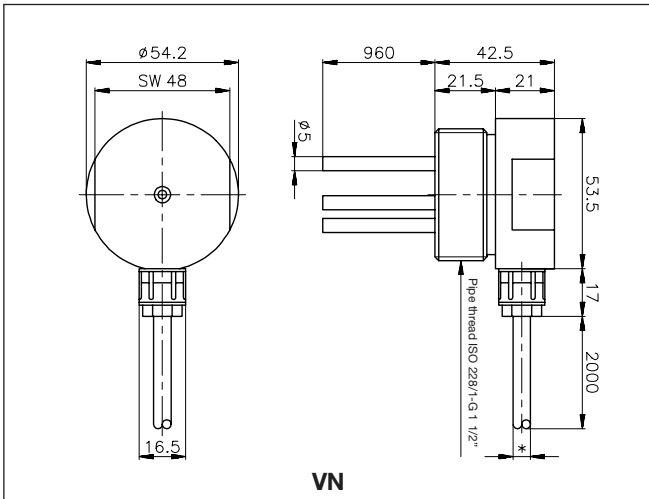
S195/196, S1961, ELA, ELC or ELD). If the container is made of a conductive material this can be used as common electrode.

## Accessories

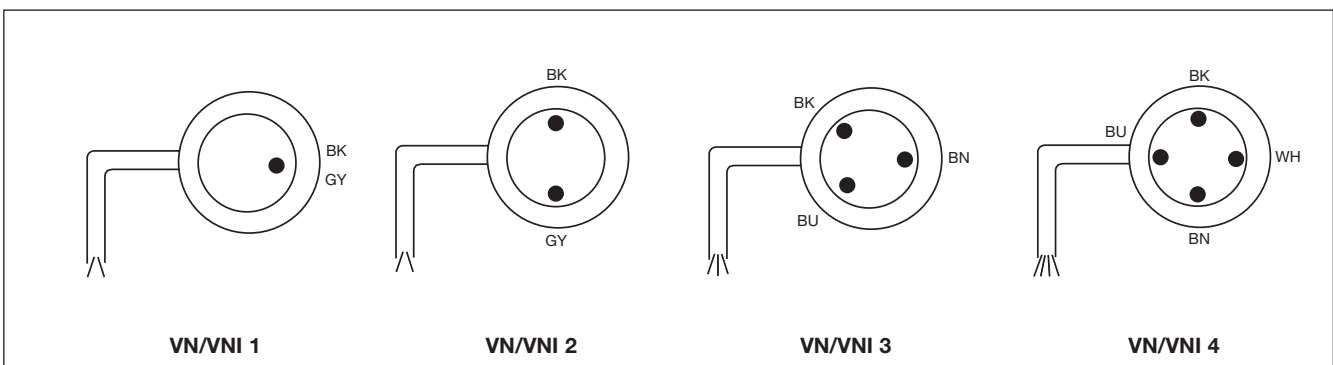
Extension joint for Ø5 mm electrodes (VN/VNI):

**VD1**

## Dimensions



## Wiring Diagrams



## X-ON Electronics

Largest Supplier of Electrical and Electronic Components

*Click to view similar products for [Liquid Level Sensors](#) category:*

*Click to view products by [Carlo Gavazzi](#) manufacturer:*

Other Similar products are found below :

[FSH-21](#) [FSH-25](#) [FSH-34](#) [FSH-35](#) [FSV-31](#) [FSV-35](#) [RSF54H100R1/8](#) [LRNH31S41](#) [F03-16SFC-10M](#) [F03-16SF-5M](#) [F03-16PE-5M](#) [F03-16PT-5M](#) [LBFS 1151](#) [SCN-1518SC](#) [LL103000](#) [LRNR31N01](#) [MS03-PP](#) [F03-16SF-10M](#) [KSL-100-1](#) [LS01-1B66-PP-500W](#) [LS02-1B66-S-500W](#) [LS02-1B85-PP-5000W](#) [LS03-1A85-PP-500W](#) [LRNH31S42](#) [59630-1-T-02-F](#) [LS04-1B66-2-500W](#) [LFFS 011](#) [T0-SKF-0.5](#) [T0-SKF-10](#) [T0-SKF-5](#) [VNI3](#) [CLP2FA1BM24](#) [VNI1](#) [LBFS 0111](#) [LFFS 014](#) [KSL-88-PP](#) [KSL-99-1](#) [LS02-1A85-PP-500W](#) [LS02-1B85-PP-500W](#) [LS03-1A85-PA-500W](#) [MIC 1000-20](#) [700670](#) [BAF147B002-00A0](#) [DFT-110](#) [DFT-220](#) [A94-10](#) [CA30CLL30BP](#) [CA30CLL30BPM1](#) [CLE1](#) [CLE1K](#)