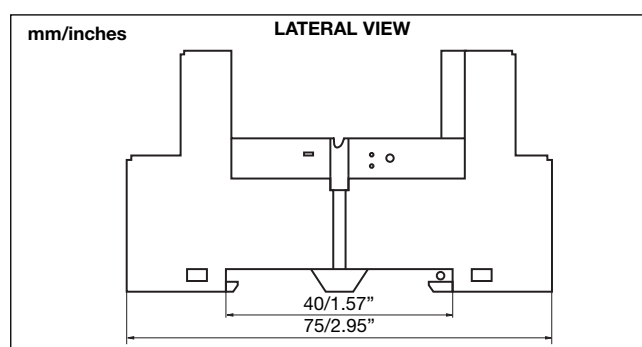
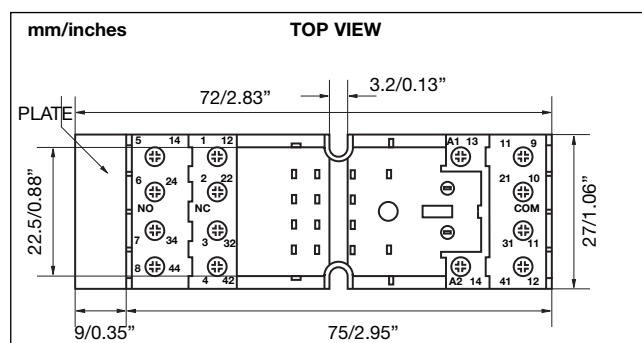


Sockets for RMI Relays

ZMI 2NA - ZMI 4NA



General data

| | |
|------------------|--|
| Socket Material | PA66 +GF - V2 |
| Socket colour | RAL 7035 / Pantone 1C |
| Contact Material | Cu Ni |
| Contact surface | 5µm tin plated |
| Terminals | 8µm zinc plated steel |
| Terminal type | Screw cage |
| Screws | 5µm nickel plated 8.8 steel |
| Screw type | M3 with combi head (slotted, Philips Gr.1, Pozi) |

| | |
|----------------------------|--------------------------------|
| Ratings | 10A 300VAC |
| UL Rating | 10A x 2 or 5A x 4 @ 300VAC |
| Operating temp. | -25° to +70°C (-13° to +158°F) |
| Insulation voltage | >4kV |
| Creepage and Clearance | Gr.C250, VDE 0110b / 2.79 |
| Maximum Screw torque | 1.0N/m |
| Max Wire section | |
| Flex / compact wire | 2 x 2.5mm ² (14AWG) |
| Cable End | 2 x 1.5mm ² (16AWG) |
| Terminal Protection degree | IP 20 (EN60529) |

Approvals



Ordering code 2 contacts version for RMI A 2 10 xxx with Plastic hold down spring :
 Ordering code 4 contacts version for RMI A 4 5 xxx with Plastic hold down spring :
 Ordering code 2 contacts version for RMI A 2 10 xxx with Metal hold down spring :
 Ordering code 4 contacts version for RMI A 4 5 xxx with Metal hold down spring :

ZMI2NA / ZMI4NA
 ZMI4NA
 ZMI2NA-M / ZMI4NA-M
 ZMI4NA-M

Box content: 10 sockets, 10 labels, 10 Plastic hold down springs
 Box size: (W 155 x D 165 x H 70) mm Weight: 750g
 (W 6.10 x D 6.50 x H 2.75) inches Weight: 26.45oz

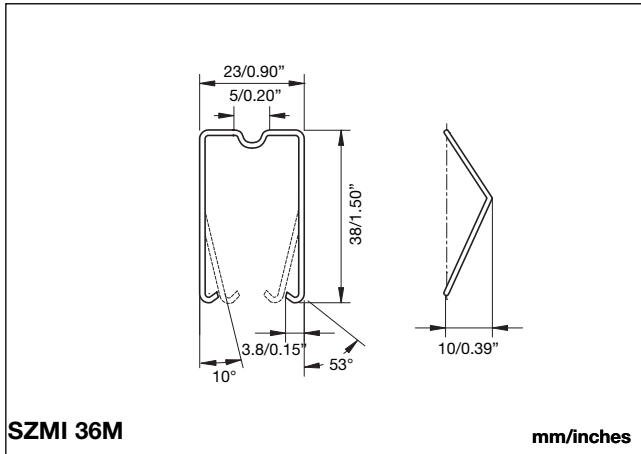
Optional Accessories (to be ordered separately if required)

Metal spare hold down Spring SZMI36M
 Plastic spare hold down Spring SZMI35
 Plastic spare hold down Spring 6.73.00.61.4

Labels 6.73.00.61.3
 Bridging bar ZMI-BB
 Modules

Optional Springs for ZMI series

SZMI 36M



General data

Spring material

Stainless steel

Packaging

Box content:

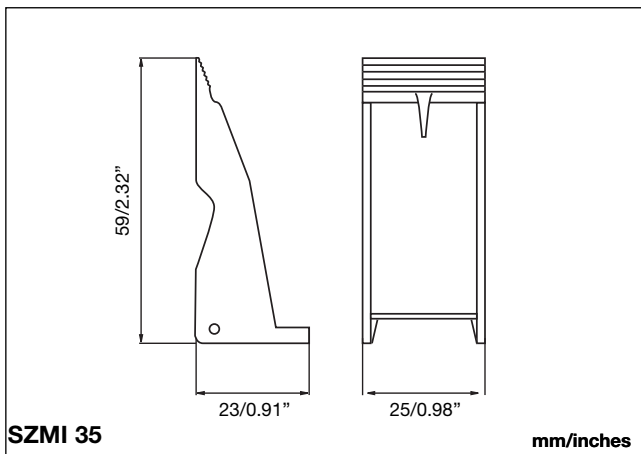
1 plastic bag, 10pcs.

Weight:

~5g (0.18oz)



SZMI 35



General data

Spring material

PA66 + GF (V0)

Spring colour

RAL 7035 / Pantone 1C

Packaging

Box content:

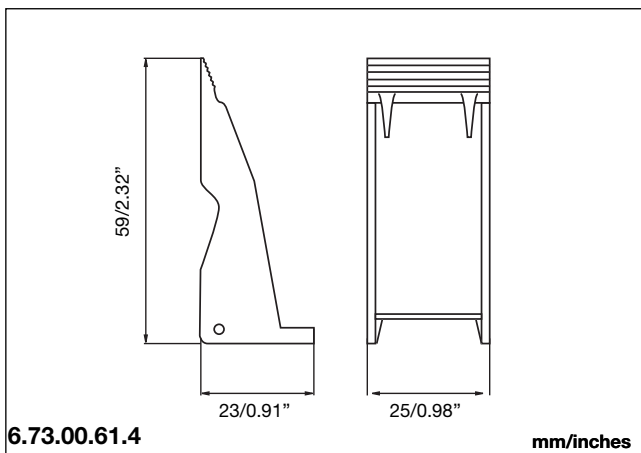
1 plastic bag, 10pcs.

Weight:

~20g (0.70oz)



6.73.00.61.4



General data

Spring material

PA6 + GF (V2)

Spring colour

RAL 7035 / Pantone 1C

Packaging

Box content:

1 plastic bag, 10pcs.

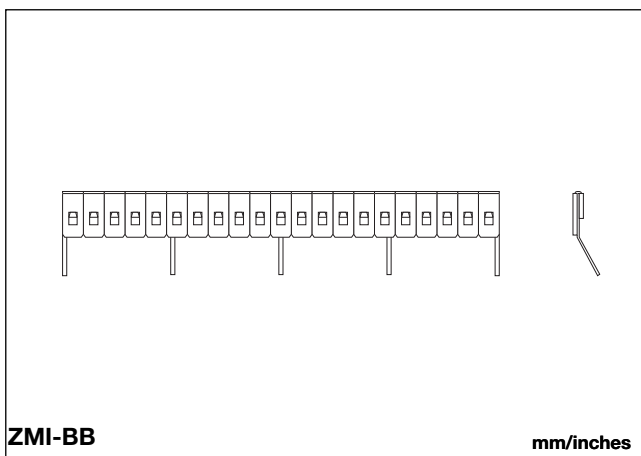
Weight:

~20g (0.70oz)



Optional sockets bridging bars

ZMI-BB



General data

| | |
|----------------------------|----------------|
| Plastic insulator material | PA66 + GF (V0) |
| Plastic insulator colour | Black |
| Metal jumper | Tinned copper |

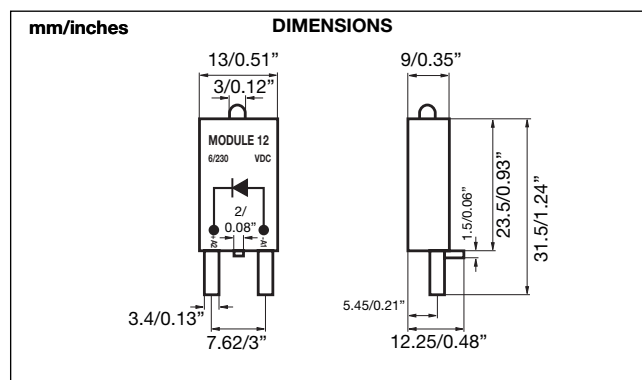
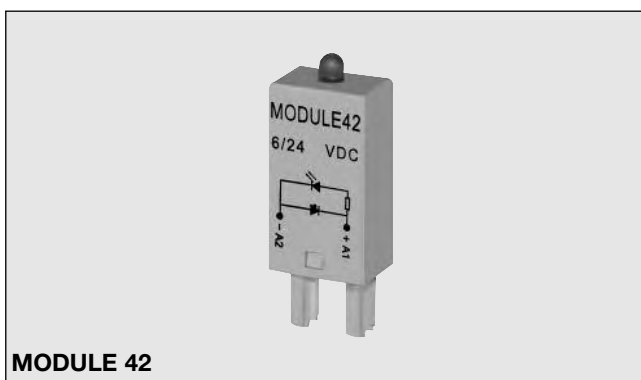
Packaging

| | |
|--------------|-----------------------|
| Box content: | 1 plastic bag, 10pcs. |
| Weight: | ~50g (~1.76oz) |



Optional Function Modules

Modules for ZMI and ZD sockets



Approvals



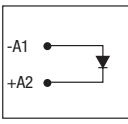
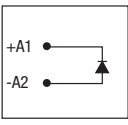
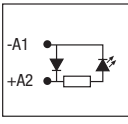
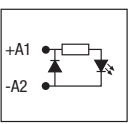
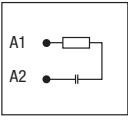
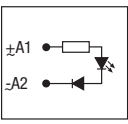
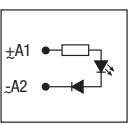
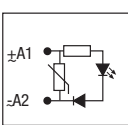
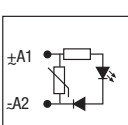
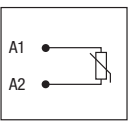
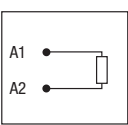
General data

| | |
|-----------------|-----------------------|
| Module material | PA66+GF (V0) |
| Module colour | RAL 7035 / Pantone 1C |

Packaging

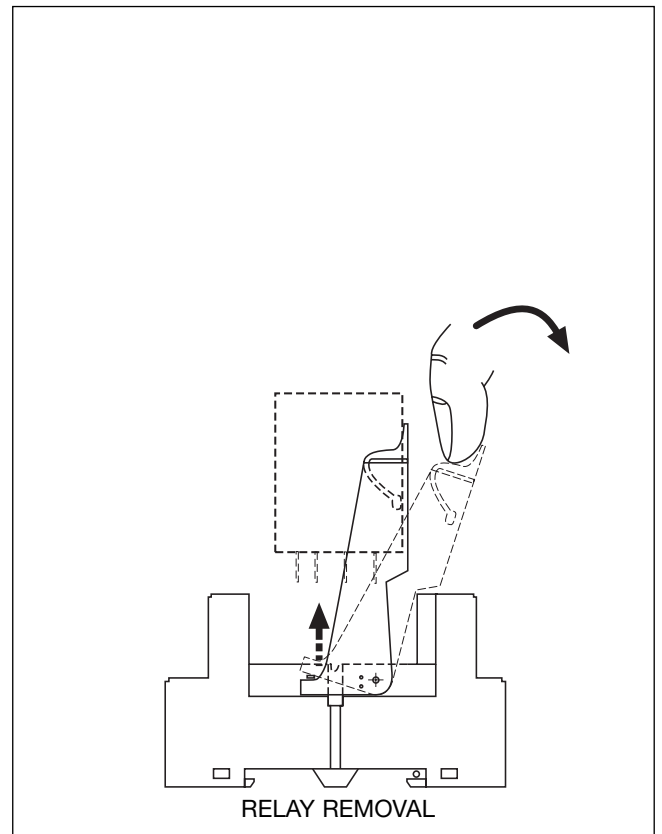
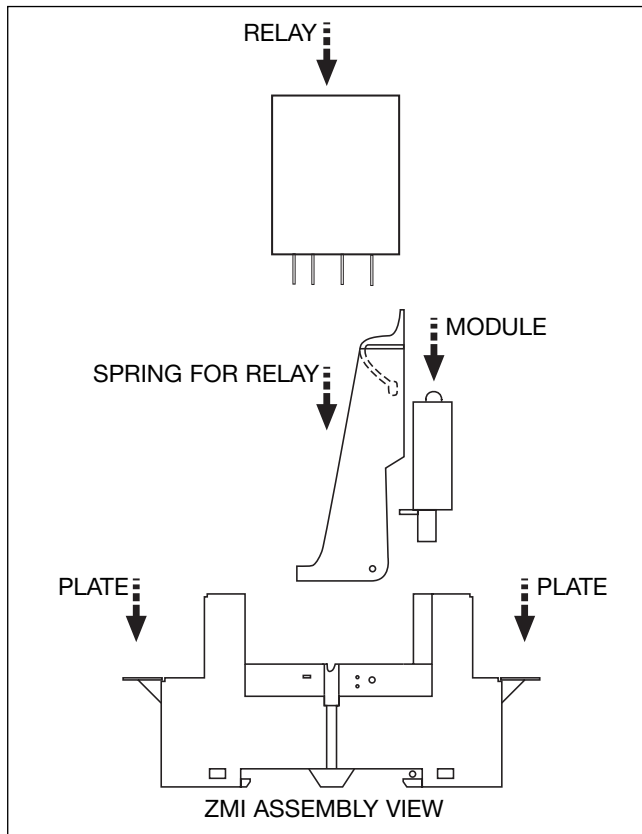
| | |
|--------------|---|
| Box content: | 1 bag, 100pcs. |
| Box size: | W 160 x D 70 x H 80 mm Weight: ~350g (W 6.30 x D 2.75 x H 3.15) inches Weight: ~12.3oz |

Types and electrical configurations

| Diagram | Type | Description | Operating voltage | LED Colour | Ordering code | | Notes |
|---|------|------------------------------------|-------------------|------------|----------------------|-------------|--------------------------------|
| | | | | | ZMI, ZD, ZDM Sockets | ZPD9, ZPD11 | |
|  | 12 | Free wheeling diode A2 + | 6 / 230VDC | n.a. | MODULE12 | MODULE11 | |
|  | 22 | Free wheeling diode A1 + | 6 / 230VDC | n.a. | MODULE22 | MODULE21 | |
|  | 32 | Free wheeling diode A2 +, with LED | 6 / 24VDC | Red | MODULE32 | n.a. | |
| | | | 24 / 60VDC | | MODULE32B | | |
| | | | 110 / 230VDC | | MODULE32C | | |
| | | | 6 / 24VDC | Green** | MODULE32/G | | |
| | | | 24 / 60VDC | | MODULE32B/G | | |
| | | | 110 / 230VDC | | MODULE32C/G | | |
|  | 42 | Free wheeling diode A1 +, with LED | 6 / 24VDC | Red | MODULE42 | n.a. | |
| | | | 24 / 60VDC | | MODULE42B | | |
| | | | 110 / 230VDC | | MODULE42C | | |
| | | | 6 / 24VDC | Green** | MODULE42/G | | |
| | | | 24 / 60VDC | | MODULE42B/G | | |
| | | | 110 / 230VDC | | MODULE42C/G | | |
|  | 52 | RC Filter | 110/240VAC | n.a. | MODULE52 | MODULE51 | Only for AC relays |
| | | RC Filter | 6 / 24VAC | | MODULE52B | MODULE51B | |
| | | RC Filter | 24 / 60VAC | | MODULE52D | MODULE51D | |
|  | 62 | Signalling LED | 6 / 24V | Red | MODULE62 | n.a. | Can work with AC and DC Relays |
| | 92 | | 24 / 60V | | MODULE62E | | |
| | | | 110 / 230V | | MODULE92 | | |
|  | 62 | Signalling LED | 6 / 24V | Green** | MODULE62/G | | |
| | 92 | | 24 / 60V | | MODULE62E/G | | |
| | | | 110 / 230V | | MODULE92/G | | |
|  | 62 | Signalling LED, with Varistor | 6 / 24V | Red | MODULE62C | n.a. | Can work with AC and DC Relays |
| | 92 | | 24 / 60V | | MODULE62D | | |
| | | | 110 / 230V | | MODULE92C | | |
|  | 62 | Signalling LED, with Varistor | 6 / 24V | Green** | MODULE62C/G | | |
| | 92 | | 24 / 60V | | MODULE62D/G | | |
| | | | 110 / 230V | | MODULE92C/G | | |
|  | 72 | Varistor | 6 / 24VAC | n.a. | MODULE72 | MODULE71 | |
| | 82 | | 115VAC | | MODULE72A | MODULE71A | |
| | | | 230VAC | | MODULE82 | MODULE81 | |
|  | 102 | Resistor | 110 / 230VAC | n.a. | MODULE102 | n.a. | |

** Non standard devices normally not in stock and production upon request

Installation Operations



X-ON Electronics

Largest Supplier of Electrical and Electronic Components

Click to view similar products for [Relay Sockets & Fixings](#) category:

Click to view products by [Carlo Gavazzi](#) manufacturer:

Other Similar products are found below :

[00008258500](#) [00111976502](#) [0000-825-81-00](#) [60SY4S05](#) [M41G](#) [670-0002](#) [670-0009](#) [670-0010](#) [670-0125](#) [670-0127](#) [6700152](#) [670-0153](#)
[6700156](#) [D258-2TS00](#) [70-309](#) [70-475-1](#) [7-1393143-3](#) [7-1616360-5](#) [8000-DG2-5](#) [911361](#) [9-1616339-5](#) [PJF11N](#) [GDA12HA](#) [GDA12HD](#)
[GDA12SA](#) [GDA12SD](#) [GDA16HD](#) [GDA22HA](#) [GDA95A](#) [GDA95D](#) [GFX20](#) [PT08QN](#) [PT 1/8 D = 3.2](#) [GUA1](#) [GUA2-11](#) [GUA4-04](#) [GUA4-](#)
[31](#) [GUM5R](#) [GUR-277](#) [GURX-277](#) [GUW12](#) [GUW95](#) [GUZ63L](#) [R99-11 FOR MY\(NAMEPLATE\)](#) [D52PR2T](#) [RES100K](#) [1310H-HDC](#)
[1390H-1ST](#) [1393824-3](#) [1390H-2PC](#)