

## Specification Sheet for Approved

Customer Name:	
Customer Part No.:	
Ceaiya Part No:	CWCI0603F Series
Spec No:	C-063

### 【For Customer Approval Only】

If you Approval, Please Stamp

### 【RoHS Compliant Parts】

Approved By	Checked By	Prepared By
李庆辉	朱宏亮	劳水花

深圳市柯爱亚电子有限公司

**Shenzhen Ceaiya Electronics Co., Ltd.**

深圳地址: 深圳市龙华区观澜街道新澜社区观光路 1301-74 号银星智界 4 号楼 (综合楼) 716

东莞地址: 广东省东莞清溪镇青滨东路 105 号力合紫荆智能制造中心 10 栋一单元

[Http://www.szceaiya.com](http://www.szceaiya.com) Tel: 0769-89135516 Fax: 0769-89135519



# Specification Sheet for SMD Chip Inductor

## 1. Scope

This specification applies to the CWCI0603F Series of wire wound SMD chip inductor.

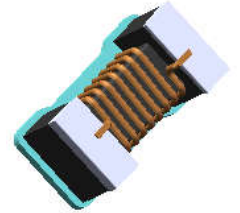
## 2. Product Description and Identification (Part Number)

1) Description:

CWCI0603F series of Wire wound SMD chip inductor.

2) Product Identification (Part Number)

CWCI
0603
F - 
 2R2
K
T
□□



①	Type
CWCI	Wire Wound Chip Inductor

②	External Dimensions(L×W) 【inch】
0603	1.60mm×0.8mm

③	Material type
F	Ferrite

④	Nominal Inductance
Example	Nominal Value
1R0	1.0uH
100	10uH
101	100uH

⑤	Inductance Tolerance
J	±5%
K	±10%
M	±20%

⑦	Design Code
□□	Design Code
* Standard product is blank	

⑥	Packing
T	Tape Carrier Package

## 3. Electrical Characteristics

Please refer to Item 5.

- 1) Operating temperature range (individual chip without packing): -25°C ~ +100°C (Including Self-heating)
- 2) Storage temperature range (packaging conditions): -25°C ~ +100°C and RH 70% (Max.).

## 4. Shape and Dimensions (Unit:mm)

Dimensions and recommended PCB pattern for reflow soldering, please see Fig4-1 and Table4-1

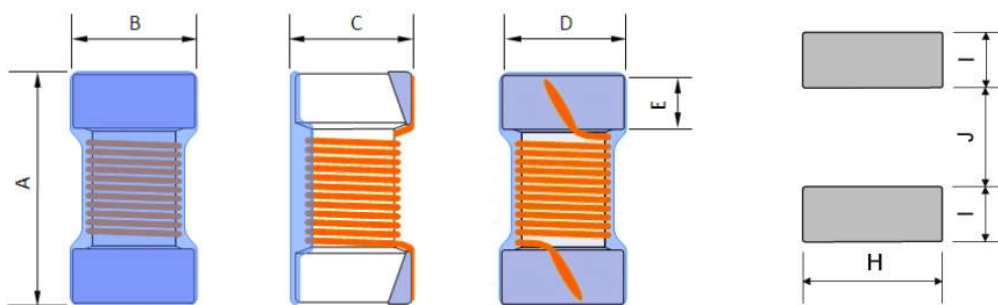


Fig4-1.

Table 4-1.

Series	A	B	C	D	E	H	I	J
CWCI0603F	1.80 Max.	1.20 Max.	1.0 Max.	0.90 typ.	0.30 Ref	1.15 Ref	0.64 Ref	0.64 Ref

## Specification Sheet for SMD Chip Inductor

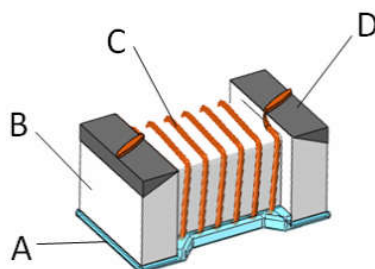
### 5. Electrical Characteristics

Part No.	L(uH)	Tol.	L Test Freq. MHz	Q Typ.	Q Test Freq. MHz	DCR $\pm 30\%$ ( $\Omega$ )	Idc Typ. (mA)	I rms Typ. (mA)	SRF(MHz) Typ.
CWCI0603F-R68□T	0.68	J / K	7.9	15	7.9	0.39	1000	800	400
CWCI0603F-1R0□T01	1.0	M/N	1.0	15	1.0	0.14	800	900	350
CWCI0603F-1R0□T	1.0	K / M	7.9	17	7.9	0.37	860	700	390
CWCI0603F-1R8□T	1.8	J / K	7.9	16	7.9	0.43	640	580	121
CWCI0603F-2R2□T	2.2	J / K	7.9	16	7.9	0.56	600	580	103
CWCI0603F-4R7□T	4.7	J / K	7.9	16	7.9	0.97	400	400	51
CWCI0603F-6R8□T	6.8	J / K	7.9	16	7.9	1.50	340	340	43
CWCI0603F-100□T	10	J / K	2.5	14	2.5	1.85	280	280	36
CWCI0603F-150□T	15	J / K	2.5	14	2.5	2.60	240	240	29
CWCI0603F-220□T	22	J / K	2.5	14	2.5	3.61	200	200	24

Note:

- When ordering, please specify tolerance and packaging codes. Ex:CWCI0603F-100K-T  
Tolerance: J= $\pm 5\%$ ,K= $\pm 10\%$ ,M= $\pm 20\%$ , N= $\pm 30\%$   
Packaging: Clear tape and reel {standard}
- L, Q, SRF : Agilent /HP 4287A + Agilent / HP 8722ES or Equivalent
- Rdc: Digital Milliohm Meter Chroma 16502, or equivalent.
- Idc for a 15°C rise above 25°C ambient.
- Package spec.: 7 inch Reel , 4000pcs/Reel .

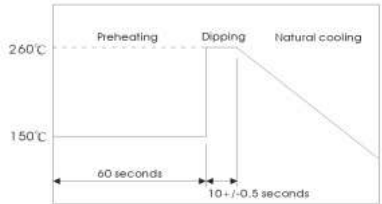
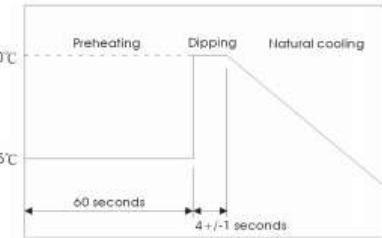
### 6. Structure: See the following.



No.	Components	Material
A	Coating	Ultraviolet epoxy resin
B	Core	Ferrite
C	Wire	Polyurethane system enameled copper wire
D	Electrodes	Ag/Ag-Pd with Ni and Sn plating

# Specification Sheet for SMD Chip Inductor

## 7. Reliability Test

Items	Performance	Test Condition															
7.1 Solder Heat Resistance 耐焊锡热	Appearance: No significant abnormality. Inductance change: Within $\pm 20\%$ 外观：无明显异常 电感值：变化值在初始值 20% 以内	Preheat: $150^{\circ}\text{C}$ , 60sec. Solder: H63A Solder temperature: $260\pm 5^{\circ}\text{C}$ Flux for lead free: rosin Dip time: $10\pm 0.5\text{sec}$ . 预热： $150^{\circ}\text{C}$ ， 60 sec 锡炉温度： $260\pm 5^{\circ}\text{C}$ 助焊剂： rosin. 时间： $10\pm 0.5\text{sec}$ 															
7.2 Solderability Test 端面焊锡性	More than 90% of the terminal electrode should be covered with solder. 端电极之锡覆盖面达 90% 以上	Preheat: $125\pm 25^{\circ}\text{C}$ , 60sec. Solder: H63A Solder temperature: $230\pm 5^{\circ}\text{C}$ Flux for lead free: rosin Dip time: $4\pm 1\text{sec}$ 预热： $125^{\circ}\text{C}$ ， 60 sec 锡炉温度： $230\pm 5^{\circ}\text{C}$ 助焊剂： rosin. 时间： $4\pm 1\text{sec}$ 															
7.3 High Temperature Resistance Test 高温放置测试	Appearance: no damage. Inductance: within $\pm 20\%$ of initial value. No disconnection or short circuit. 外观不能破损 电感值：变化值在初始值 20% 以内 电性无短路或断线。	Temperature: $85\pm 2^{\circ}\text{C}$ . Applied current: rated current. Duration: 500 hrs															
7.4 Humidity Resistance Test 高湿放置测试	Appearance: no damage. Inductance: within $\pm 20\%$ of initial value. No disconnection or short circuit. 外观不能破损 电感值：变化值在初始值 20% 以内 电性无短路或断线。	Temperature: $40\pm 2^{\circ}\text{C}$ . Applied current: rated current. Duration: 500 hrs Humidity: 90~95%															
7.5 Thermal shock 热冲击试验	Appearance: no damage. Inductance: within $\pm 20\%$ of initial value. No disconnection or short circuit. 外观不能破损 电感值：变化值在初始值 20% 以内 电性无短路或断线。	Condition for 1 cycle Step1: $-25\pm 2^{\circ}\text{C}$ , $30\pm 3\text{ min}$ . Step2: Room temperature within 15 min. Step3: $+85\pm 5^{\circ}\text{C}$ , $30\pm 3\text{ min}$ . Step4: Room temperature within 15 min. Number of cycles: 50PCS <table border="1" data-bbox="1136 1456 1484 1668"> <thead> <tr> <th>Phase</th> <th>Temperature(<math>^{\circ}\text{C}</math>)</th> <th>Time(min)</th> </tr> </thead> <tbody> <tr> <td>1</td> <td><math>-25\pm 2^{\circ}\text{C}</math></td> <td><math>30\pm 3</math></td> </tr> <tr> <td>2</td> <td>Room Temp.</td> <td>15</td> </tr> <tr> <td>3</td> <td><math>+85\pm 2^{\circ}\text{C}</math></td> <td><math>30\pm 3</math></td> </tr> <tr> <td>4</td> <td>Room Temp.</td> <td>15</td> </tr> </tbody> </table>	Phase	Temperature( $^{\circ}\text{C}$ )	Time(min)	1	$-25\pm 2^{\circ}\text{C}$	$30\pm 3$	2	Room Temp.	15	3	$+85\pm 2^{\circ}\text{C}$	$30\pm 3$	4	Room Temp.	15
Phase	Temperature( $^{\circ}\text{C}$ )	Time(min)															
1	$-25\pm 2^{\circ}\text{C}$	$30\pm 3$															
2	Room Temp.	15															
3	$+85\pm 2^{\circ}\text{C}$	$30\pm 3$															
4	Room Temp.	15															
7.6 Humidity Resistance 高湿测试	Appearance: no damage. Inductance: within $\pm 20\%$ of initial value. No disconnection or short circuit. 外观不能破损 电感值：变化值在初始值 20% 以内 电性无短路或断线。	Humidity: 90~95%RH. Temperature: $40\pm 5^{\circ}\text{C}$ . Applied current: rated current. Duration: $500\pm 12\text{hrs}$ . Measured at room temperature after placing for 2 to 3hrs. 湿度： 90~95%RH. 温度： $40\pm 5^{\circ}\text{C}$ . 须加电流： 额定电流。 放置时间： $500\pm 12\text{hrs}$ .															

# Specification Sheet for SMD Chip Inductor

## 8. Packaging and Storage

### 8.1 Packaging

There is one type of packaging for the chip inductors. Please specify the packing code when ordering.

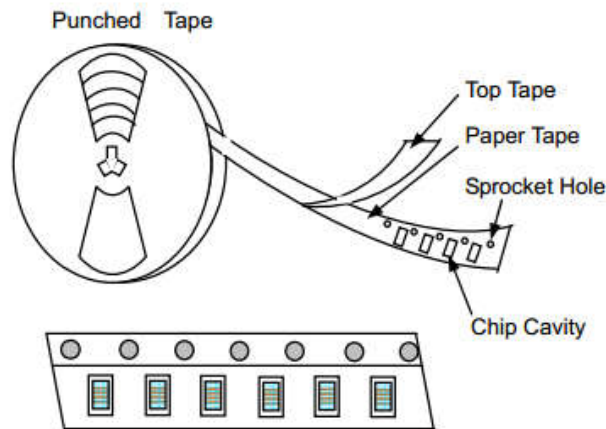
Tape Carrier Packaging:

Packaging code: T

- i. Tape carrier packaging are specified in attached figure
- ii. Tape carrier packaging quantity please see the following table:

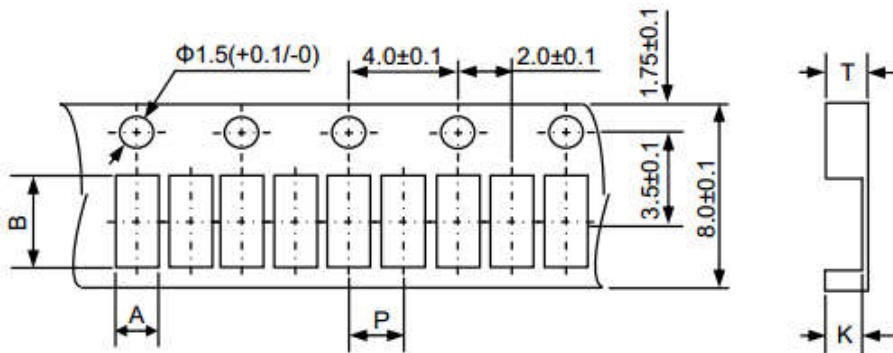
Type	0603
Tape	Punched Tape
Quantity	4K

#### (1) Taping Drawings (Unit: mm)



Remark: The sprocket holes are to the right as the tape is pulled toward the user.

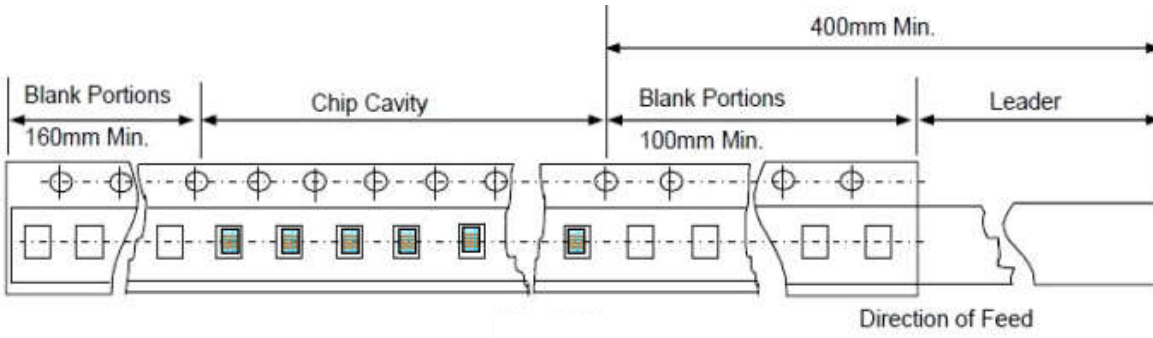
#### (2) Taping Dimensions (Unit: mm)



Type	A	B	P	K	T
0603	$1.30 \pm 0.10$	$1.90 \pm 0.10$	$4.0 \pm 0.05$	$1.08 \pm 0.10$	$1.12 \pm 0.10$

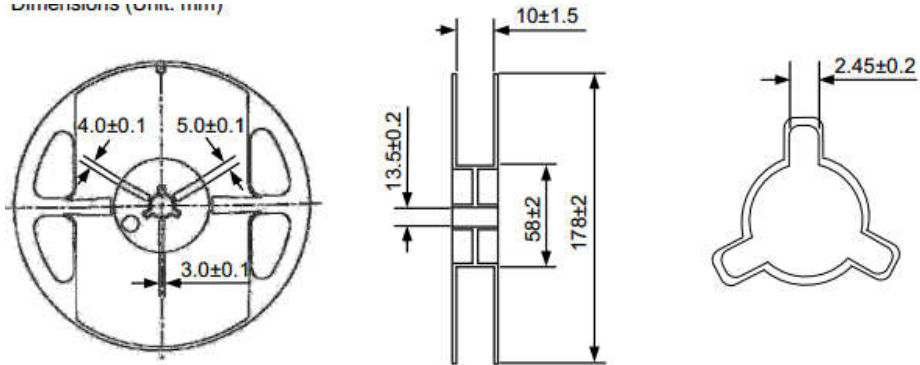
# Specification Sheet for SMD Chip Inductor

## (3) Leader and blank portion

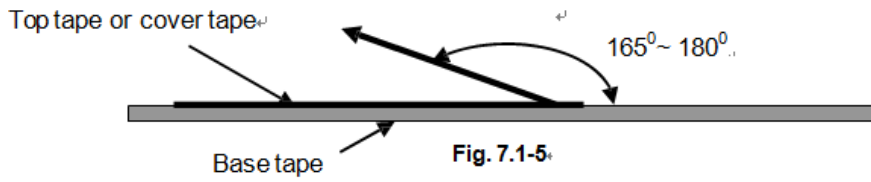


## (4) Reel Dimensions (Unit: mm)

Dimensions (Unit: mm)



## (5) Peeling off force: 10gf to 70gf in the direction show below.



## X-ON Electronics

Largest Supplier of Electrical and Electronic Components

*Click to view similar products for [Fixed Inductors](#) category:*

*Click to view products by [Ceaiya](#) manufacturer:*

Other Similar products are found below :

[CR32NP-151KC](#) [CR32NP-180KC](#) [CR32NP-181KC](#) [CR32NP-1R5MC](#) [CR32NP-390KC](#) [CR32NP-3R9MC](#) [CR32NP-680KC](#) [CR32NP-820KC](#) [CR32NP-8R2MC](#) [CR43NP-390KC](#) [CR43NP-560KC](#) [CR43NP-680KC](#) [CR54NP-181KC](#) [CR54NP-470LC](#) [CR54NP-820KC](#) [CR54NP-8R5MC](#) [70F224AI](#) [MGDQ4-00004-P](#) [MHL1ECTTP18NJ](#) [MHQ1005P10NJ](#) [MHQ1005P1N0S](#) [MHQ1005P2N4S](#) [MHQ1005P3N6S](#) [MHQ1005P5N1S](#) [MHQ1005P8N2J](#) [PE-51506NL](#) [PE-53601NL](#) [PE-53602NL](#) [PE-53630NL](#) [PE-53824SNLT](#) [PE-92100NL](#) [PG0434.801NLT](#) [PG0936.113NLT](#) [9220-20](#) [9310-16](#) [PM06-2N7](#) [PM06-39NJ](#) [A01TK](#) [1206CS-471XJ](#) [HC2LP-R47-R](#) [HC2-R47-R](#) [HC3-2R2-R](#) [HCF1305-3R3-R](#) [1206CS-151XG](#) [RCH664NP-140L](#) [RCH664NP-4R7M](#) [RCH8011NP-221L](#) [RCP1317NP-332L](#) [RCP1317NP-391L](#) [RCR1010NP-470M](#)