



東莞市康柏電子科技有限公司

DONGGUAN KANGBO ELECTRONIC TECHNOLOGY CO.,LTD.



## APPROVAL SHEET

### 承 认 书

<b>Product Name</b>	Quartz Crystal 石英晶体谐振器
<b>P/N</b>	KC-F-26.000M-9-1010-2070-60
<b>Customer's Name</b>	
<b>Customer's P/N</b>	
<b>Brand</b>	中电熊猫 (CEC)
<b>Specification Sheet #</b>	
<b>Date</b>	2020-07-10
<b>Generation</b>	朱梦静
<b>Approval</b>	李坡
<b>Customer Confirmation</b>	

TEL:0086-769-81876691

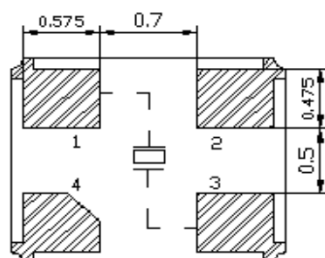
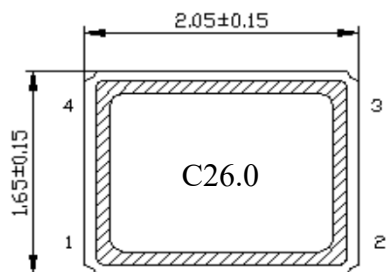
FAX:0086-769-81876690

E-mail:yy@dgkxbdz.com/wll@dgkxbdz.com

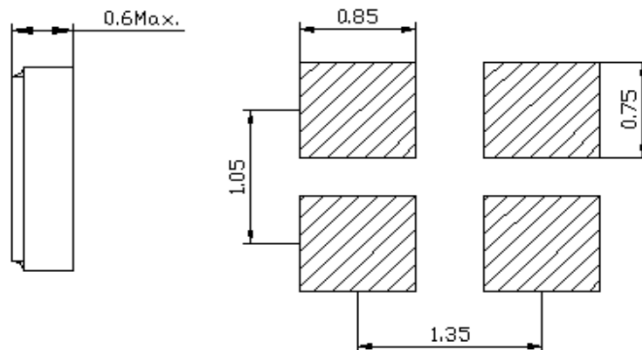
HTTP: <http://www.dgkxbdz.com/>



■ 外形及印字(DIMENSION AND MARKING)



Recommended land pattern



UNIT(单位)mm

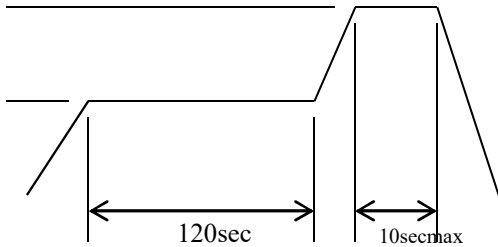
■ 电气参数(ELECTRICAL SPECIFICATION)

Type	型号	2.0×1.6 Ceramic SMD
Nominal Frequency	标称频率	26.000000 MHz
Mode of Oscillation	振荡模式	Fundamental
Operating Temperature Range	工作温度范围	-20℃ ~ +70℃
Storage Temperature Range	保存温度范围	-40℃ ~ +85℃
Test Set	测试系统	250B PI-Network
Drive Level	激励电平	100 uW Max.
Loading Capacitance	负载电容	9 pF
Frequency Tolerance	调整频差	±10 ppm Max.(AT 25℃)
Equivalent Resistance	等效阻抗	60 ohms Max.
Temperature Drift	温度频差	±10 ppm Max./-20℃ to +70℃
Shunt Capacitance	静态电容	7.0 pF Max.
Motional Capacitance	动态电容	/
Aging	老化率/年	±3 ppm/ year Max.
Insulation Resistance	绝缘阻抗	500 MΩ Min / 100 V±15 V D.C.
Other	其它	Tape & Reel
Note		

■ 可靠性测试条件(RELIABILITY TEST)

序号 NO	项目 ITEM	条件 CONDITIONS	合格标准 BASIS OF VERDICT
1	老化  AGING	温度: 85℃; 时间: 1000小时  Temperature: 85℃; Times: 1000 hours	$\Delta FR = \pm 10 \text{ ppm MAX}$ $\Delta R_s = \text{平均阻抗} * 20\% \text{ 或 } 5 \Omega \text{ MAX (两者取大值)}$ $\Delta FL \leq \pm 10 \text{ ppm}$ $\Delta RS \leq 5 \Omega \text{ or } \pm 20\%$ (Whichever is Larger)
2	湿度抗性  MOISTURE RESISTANCE	高温: 65℃ (10小时, 含升温), 低温: 25℃ (2小时, 含降温), 湿度90%, 循环10次, 每循环24小时  High-Temperature: 65℃±2℃(10 hours, including heating), Low-Temperature: 25℃±2℃(2 hours, including cooling), Humidity: 85%, for 10 cycles (24 hours/cycle)	$\Delta FR = \pm 10 \text{ ppm MAX}$ $\Delta R_s = \text{平均阻抗} * 20\% \text{ 或 } 5 \Omega \text{ MAX (两者取大值)}$ $\Delta FL \leq \pm 10 \text{ ppm}$ $\Delta RS \leq 5 \Omega \text{ or } \pm 20\%$ (Whichever is Larger)
3	湿热  HUMIDITY	温度: 85℃±2℃; 湿度85%; 时间: 1000小时  Temperature: 85℃±2℃; Humidity: 85%; Time: 1000 hours	$\Delta FR = \pm 10 \text{ ppm MAX}$ $\Delta R_s = \text{平均阻抗} * 20\% \text{ 或 } 5 \Omega \text{ MAX (两者取大值)}$ $\Delta FL \leq \pm 10 \text{ ppm}$ $\Delta RS \leq 5 \Omega \text{ or } \pm 20\%$ (Whichever is Larger)
4	低温  LOW-TEMPERATURE	温度: -40℃±2℃; 时间: 1000小时  Temperature: -40℃±2℃; Time: 1000hours	$\Delta FR = \pm 10 \text{ ppm MAX}$ $\Delta R_s = \text{平均阻抗} * 20\% \text{ 或 } 5 \Omega \text{ MAX (两者取大值)}$ $\Delta FL \leq \pm 10 \text{ ppm}$ $\Delta RS \leq 5 \Omega \text{ or } \pm 20\%$ (Whichever is Larger)
5	热冲击  TEMPERATURE SHOCK	$-55^\circ\text{C} \pm 2^\circ\text{C} (5 \text{ min}) \xleftrightarrow{5 \text{ min}} 125^\circ\text{C} \pm 2^\circ\text{C} (5 \text{ min})$ ; 循环1000次  $-55^\circ\text{C} \pm 2^\circ\text{C} (5 \text{ min}) \xleftrightarrow{5 \text{ min}} 125^\circ\text{C} \pm 2^\circ\text{C} (5 \text{ min})$ ; For 1000 cycles	$\Delta FR = \pm 10 \text{ ppm MAX}$ $\Delta R_s = \text{平均阻抗} * 20\% \text{ 或 } 5 \Omega \text{ MAX (两者取大值)}$ $\Delta FL \leq \pm 10 \text{ ppm}$ $\Delta RS \leq 5 \Omega \text{ or } \pm 20\%$ (Whichever is Larger)
6	跌落  DROP	1m高处自由跌落到硬木板上, 循环3次  Height: 1m; 3 times	$\Delta FR = \pm 5 \text{ ppm MAX}$ $\Delta R_s = \text{平均阻抗} * 15\% \text{ 或 } 2 \Omega \text{ MAX (两者取大值)}$ $\Delta FL \leq \pm 5 \text{ ppm}$ $\Delta RS \leq 2 \Omega \text{ or } \pm 15\%$ (whichever is larger)



序号 NO	项目 ITEM	条件 CONDITIONS	合格标准 BASIS OF VERDICT
7	机械冲击 MECHANICAL SHOCK	峰值 Peak: 100g's 持续时间 Duration: 6ms 波形 Waveform: 半正弦波 Half-sine 变化速度 Velocity Change: 12.3 ft / sec 振动方向 Direction: +X, -X, +Y, -Y, +Z, -Z 每个方向各3次 3 times/direction	$\Delta FR = \pm 5 \text{ ppm MAX}$ $\Delta R_s = \text{平均阻抗} * 15\% \text{ 或 } 2 \Omega \text{ MAX (两者取大值)}$ $\Delta FL \leq \pm 5 \text{ ppm}$ $\Delta R_S \leq 2 \Omega \text{ or } \pm 15\%$ (Whichever is Larger)
8	振动 VIBRATION	频率 Frequency: 10~2000Hz: 加速度幅度 Acceleration: 5g/s 振动方向 Direction: X, Y, Z 振动时间 Duration: 每个方向20分钟 20 min/direction. 循环次数 Times: 12次	$\Delta FR = \pm 5 \text{ ppm MAX}$ $\Delta R_s = \text{平均阻抗} * 15\% \text{ 或 } 2 \Omega \text{ MAX (两者取大值)}$ $\Delta FL \leq \pm 5 \text{ ppm}$ $\Delta R_S \leq 2 \Omega \text{ or } \pm 15\%$ (Whichever is Larger)
9	回流焊 REFLOW	260°C±5°C 150°C±5°C  CYCLE TIME周期: 200sec Max.(回流2次)	$\Delta FR = \pm 5 \text{ ppm MAX.}$ $\Delta R_s = \text{平均阻抗} * 15\% \text{ 或 } 2 \Omega \text{ MAX (两者取大值)}$ 外观完好 $\Delta FL \leq \pm 5 \text{ ppm}$ $\Delta R_S \leq 2 \Omega \text{ or } \pm 15\%$ (Whichever is Larger) No Rusty
10	可焊性 SOLDER	温度: 250°C, 蒸汽老化8小时 Temperature: 250°C, Time: 8hours	浸锡率 ≥95% Solder Coverage ≥95%
11	引出端强度 TERMINAL STRENGTH	1.8kg的切向推力 (60秒) 以及1.8kg的垂直拉力 (60秒) 1.8kg, of the tangential thrust (60 s) 1.8kg of the perpendicular tension (60 s)	电极不断裂 No Rupture Observed



东莞市康柏电子科技有限公司

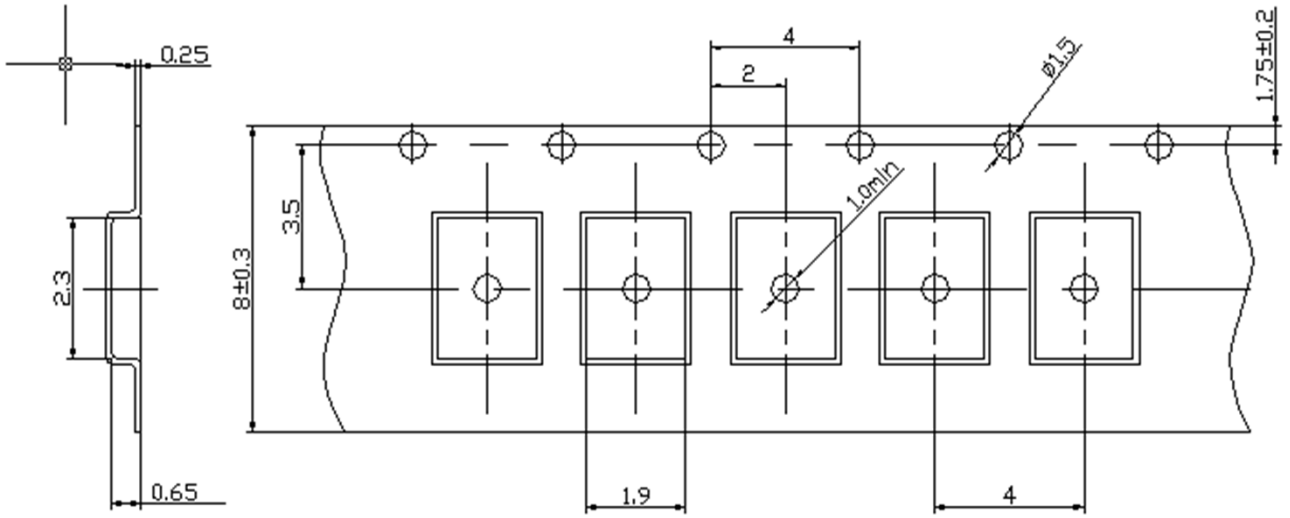
DONGGUAN KANGBO ELECTRONIC TECHNOLOGY CO.,LTD.

Specification of Quartz Crystal  
石英晶体谐振器规格书

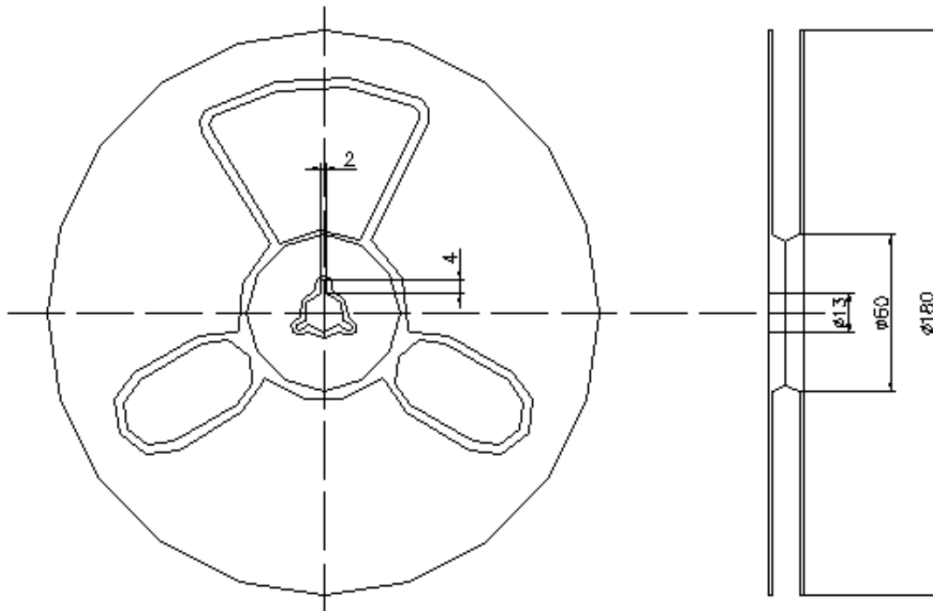
2.0×1.6 SMD

DATE: 2020/07/10

■ 编带(TAPE)



■ 轮(REEL)





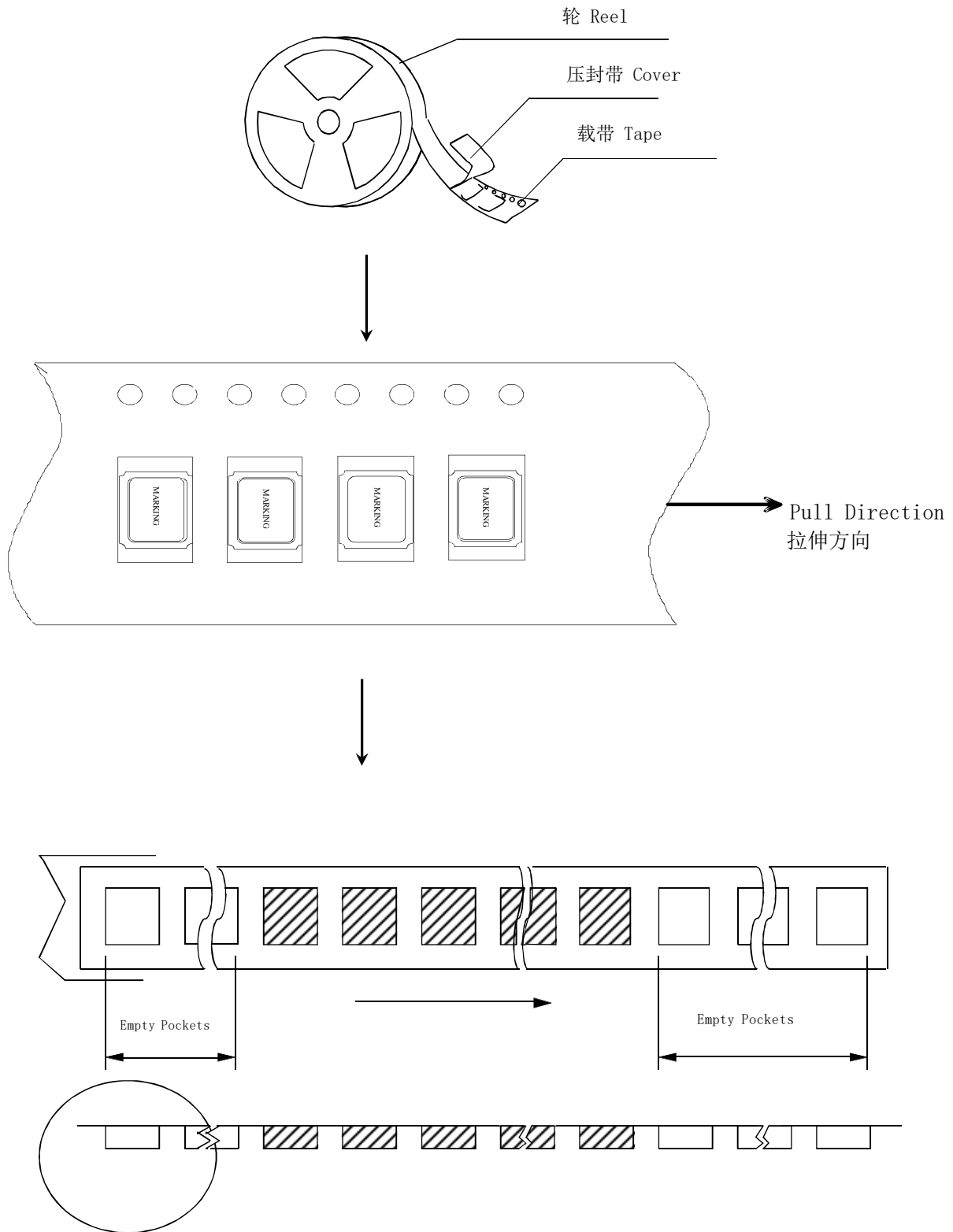
東莞市康柏電子科技有限公司  
DONGGUAN KANGBO ELECTRONIC TECHNOLOGY CO.,LTD.

Specification of Quartz Crystal  
石英晶体谐振器规格书

2.0×1.6 SMD

DATE: 2020/07/10

■ 编带方式(TAPING METHOD)



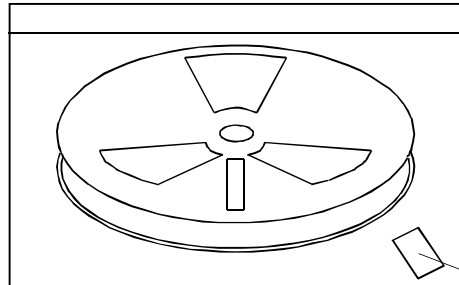


■包装(PACKAGE)

1.自封袋(Bag)

1000 只=1 轮

1000 pcs=1 Reel

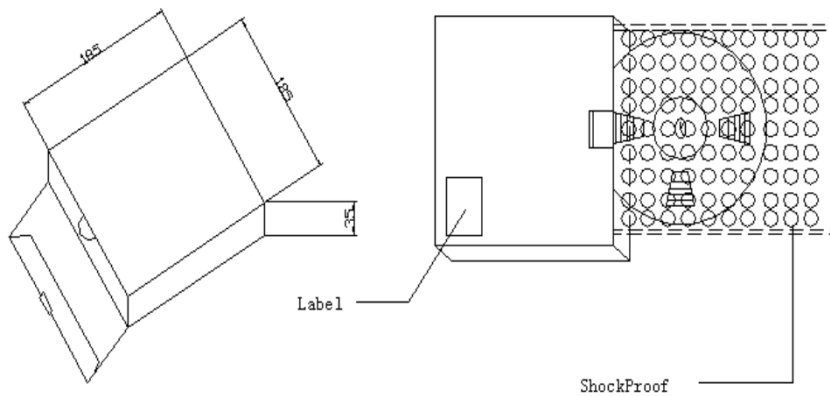


Desiccant 干燥剂

2.内包装(Inside Package)

1 轮=1 盒

1 Reel=1 Box



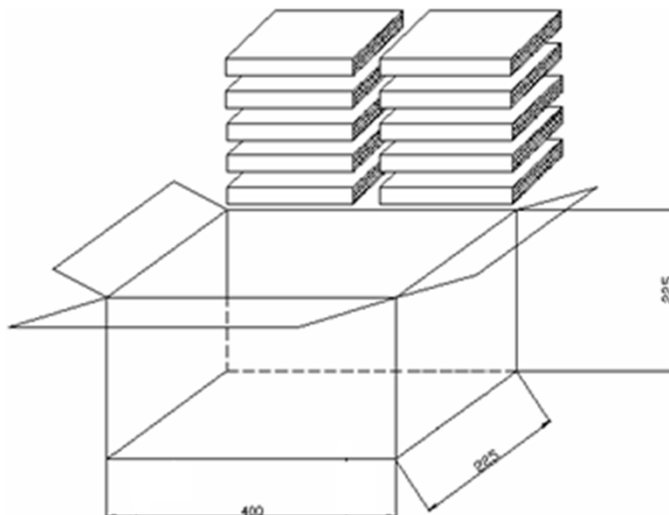
Label

ShockProof

3.外包装(Outside Package)

10 盒=1 箱

10 Box=1 Carton







東莞市康柏電子科技有限公司  
DONGGUAN KANGBO ELECTRONIC TECHNOLOGY CO.,LTD.

Specification of Quartz Crystal  
石英晶体谐振器规格书

2.0×1.6 SMD

DATE: 2020/07/10

■保存条件(Storage Condotion)

1. 保存温度: 25°C ± 15°C

Storage Temperature: 25°C ± 15°C

2. 湿度: 10%-60%

humidity: 10%-60%

## X-ON Electronics

Largest Supplier of Electrical and Electronic Components

*Click to view similar products for [Resonators](#) category:*

*Click to view products by [CEC](#) manufacturer:*

Other Similar products are found below :

[B39431R820H210](#) [CSAC2.00MGCM-TC](#) [ECS-HFR-40.00-B-TR](#) [CSTLS4M00G53Z-A0](#) [ZTB455E](#) [ECS-CR2-16.00-A-TR](#) [ECS-HFR-20.00-B-TR](#) [ECS-CR2-20.00-A-TR](#) [RO3164E-3](#) [ASR418S2-T](#) [CSTNE10M0G520000R0](#) [CSTLS8M00G53093-A0](#) [CSTNE12M0G52A000R0](#) [CSTLS18M4X54-A0](#) [CSTLS16M9X53Z-B0](#) [CSTLS24M0X51-A0](#) [CSTLS25M0X51-B0](#) [CSTLS18M0X51-B0](#) [CSTLS4M00G53093-A0](#) [CSTLS18M4X53-A0](#) [CSTNE16M0V510000R0](#) [CSTLS30M0X53-B0](#) [CSTLS33M8X53-B0](#) [CSTLS16M9X53-A0](#) [CSTLS6M40G56-B0](#) [CSTLS6M25G56-A0](#) [CSTNE14M7V510000R0](#) [CSTLS18M4X53-B0](#) [CSTLS33M0X51-B0](#) [CSTLS5M50G56-B0](#) [7B008000I01](#) [7D038400I01](#) [TAXM24M2ILDBET2T](#) [TAXM26M2IHDBET2T](#) [146-32.768-12.5-20-20/A](#) [3225-24.00-12-10-10/A](#) [7B009843M01](#) [CF4016M00009T8188042](#) [S32400001B0730D1JB](#) [X252016MLB4SI](#) [Q24FA20H00389](#) [CSTLS16M0X54-B0](#) [CSTLS4M19G56-B0](#) [9AC04194152080D2JB](#) [CST3.58MGW](#) [CSTCR4M91G55B-R0](#) [CSTLS3M68G56-B0](#) [S2100327072090](#) [FC-12M32.768KHZ9PF20PPM](#) [7Y032768NW2](#)