

QUICK CONNECT SOCKET OUTLETS

QUICK CONNECT®




Surface Mounting Socket Outlet

Top Cable Entry Only

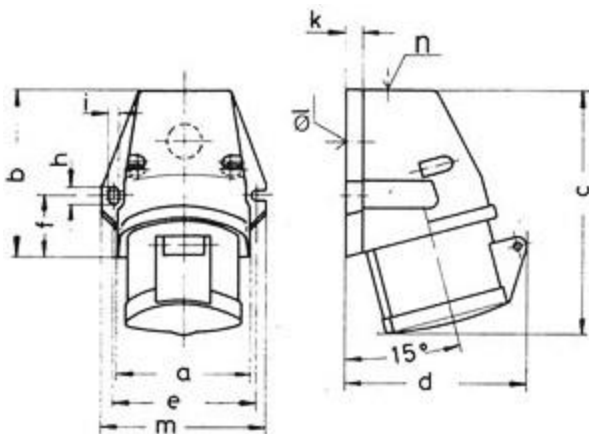
- Screwless terminals maintenance free
- Cable entry, one at top (open)

IP44 Splashproof



A CURRENT	V VOLTAGE	Hz FREQUENCY	 2P+E	EARTH HR POS.	 3P+E	EARTH HR POS.	 3P+N+E	EARTH HR POS.
16 IP44	110	50-60	11912	4				
	240	50-60	11895	6				
	415	50-60			11905	6	112001	6
32 IP44	110	50-60	11918	4				
	240	50-60	11919	6				
	415	50-60			11922	6	112002	6

Amperes Poles	16			32		
	3	4	5	3	4	5
a	59,5	72,4	72,4	79,1	79,1	79,1
b	90	90	90	92	92	92
c	130	130	131	142	142	142
d	85	96	98	103	103	106
e	62	77	77	84	84	84
f	33,5	33,5	33,5	30	30	30
h	9	9	9	9	9	9
i	5,5	5,5	5,5	5,5	5,5	5,5
k	8	9	9	9	9	9
Øl	21	21	21	21	21	21
m	72	87	87	94	94	94
n	M20	M25	M25	M25	M25	M25
Conductor mm ² min	1,5	1,5	1,5	2,5	2,5	2,5
Conductor mm ² max	4	4	4	10	10	10



X-ON Electronics

Largest Supplier of Electrical and Electronic Components

Click to view similar products for [ceenorm](#) manufacturer:

Other Similar products are found below :

[112001](#) [2125](#) [3126](#) [3138](#) [21013-TLS](#) [13668](#) [21001-TLS](#) [31001-TLS](#)