

# NX7338BF-AA

## Data Sheet

LASER DIODE

R08DS0004EJ0400

Rev.4.00

1 310 nm InGaAsP MQW-FP LASER DIODE COAXIAL MODULE FOR OTDR APPLICATION

Feb 28, 2011

### DESCRIPTION

The NX7338BF-AA is a 1 310 nm Multiple Quantum Well (MQW) structured Fabry-Perot (FP) laser diode coaxial module with single mode fiber. This module is specified to operate under pulsed condition and designed for light source of Optical Time Domain Reflectometer (OTDR).

### FEATURES

- High output power       $P_f = 110 \text{ mW} @ I_{FP} = 400 \text{ mA}^{*1}$
- Long wavelength       $\lambda_c = 1 \text{ 310 nm}$

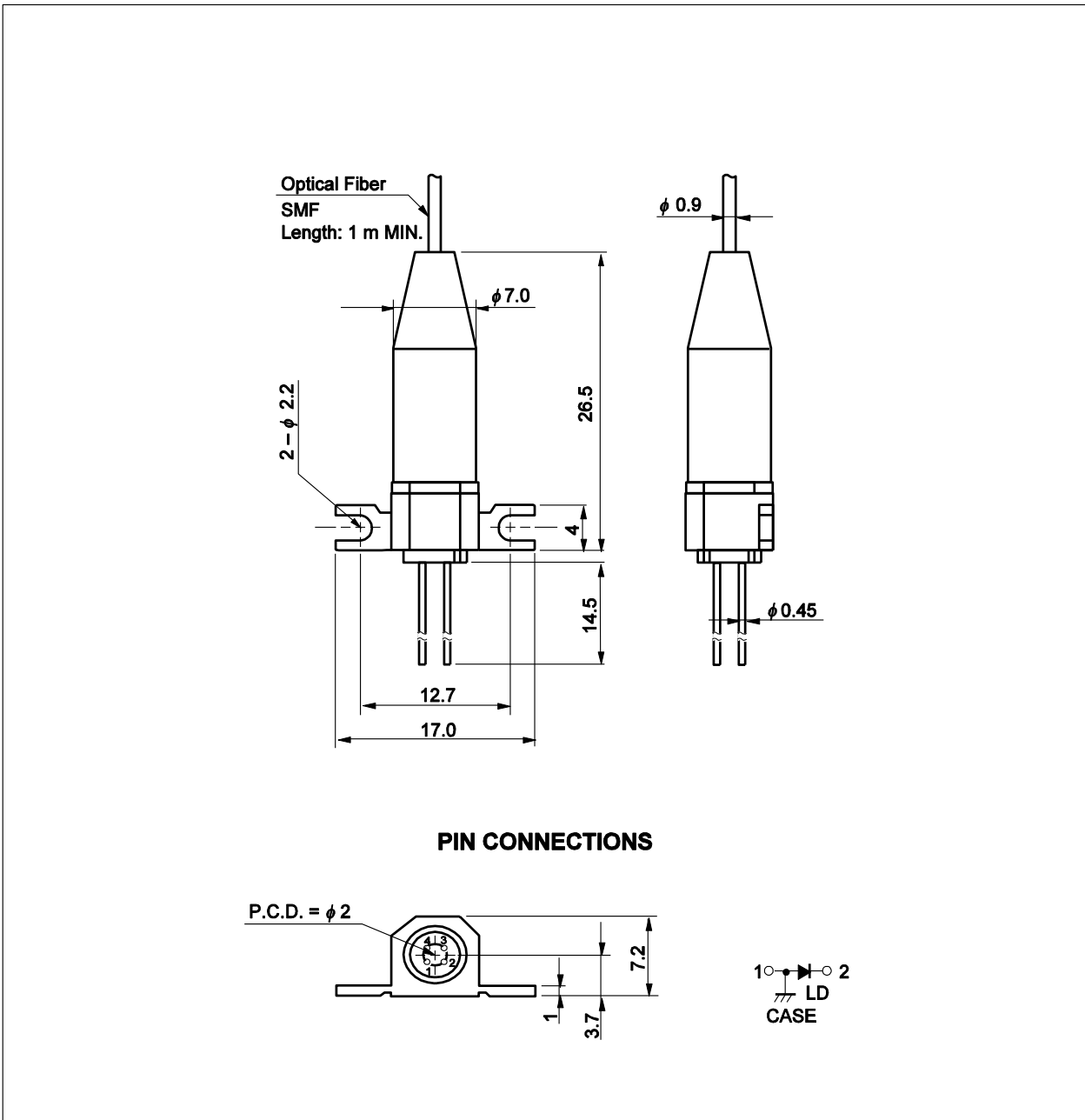
\*1 Pulse Conditions: Pulse width (PW) = 10  $\mu\text{s}$ , Duty = 1%



The mark <R> shows major revised points.

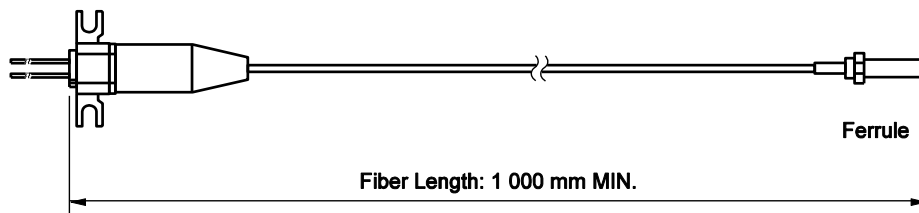
The revised points can be easily searched by copying an "<R>" in the PDF file and specifying it in the "Find what:" field.

<R> **PACKAGE DIMENSIONS (UNIT: mm)**



## OPTICAL FIBER CHARACTERISTICS

Parameter	Specification	Unit
Mode Field Diameter	9.3±0.5	μm
Cladding Diameter	125±2	μm
Maximum Cladding Noncircularity	2	%
Maximum Core/Cladding Concentricity	1.6	%
Outer Diameter	0.9±0.1	mm
Cut-off Wavelength	1 140 to 1 280	nm
Minimum Fiber Bending Radius	30	mm
Fiber Length	1 000 MIN.	mm



## ORDERING INFORMATION

Part Number	Flange Type
NX7337BF-AA	flat mount flange

## ABSOLUTE MAXIMUM RATINGS

Parameter	Symbol	Ratings	Unit
Pulsed Forward Current <sup>*1</sup>	$I_{FP}$	600	mA
Reverse Voltage	$V_R$	2.0	V
Operating Case Temperature	$T_C$	-20 to +60	°C
Storage Temperature	$T_{stg}$	-40 to +85	°C
Lead Soldering Temperature	$T_{slid}$	350 (3 sec.)	°C
Relative Humidity (noncondensing)	RH	85	%

\*1 Pulse Condition: Pulse Width (PW) = 10  $\mu$ s, Duty = 1%

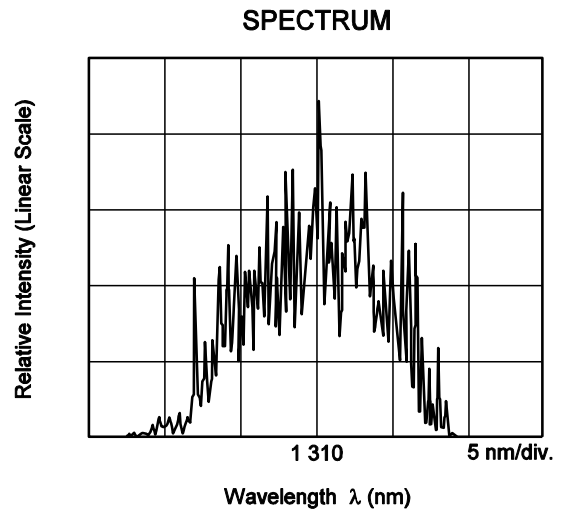
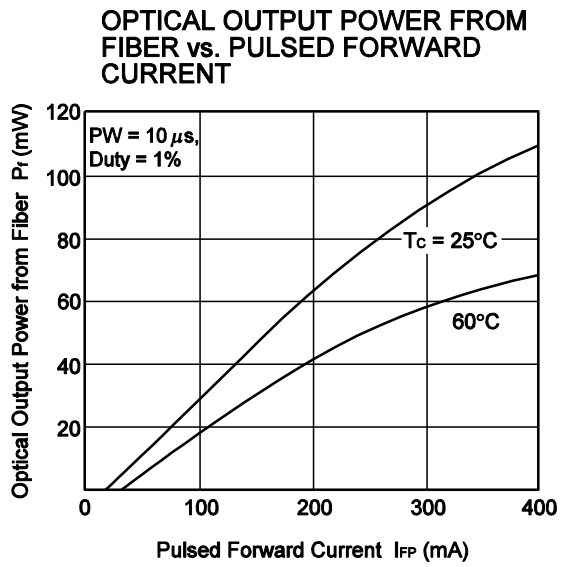
## ELECTRO-OPTICAL CHARACTERISTICS ( $T_C = 25^\circ\text{C}$ )

Parameter	Symbol	Conditions	MIN.	TYP.	MAX.	Unit
Forward Voltage	$V_{FP}$	$I_{FP} = 400$ mA, PW = 10 $\mu$ s, Duty = 1%		2.5	4.0	V
Threshold Current	$I_{th}$			20	30	mA
Optical Output Power from Fiber	$P_f$	$I_{FP} = 400$ mA, PW = 10 $\mu$ s, Duty = 1%	70	110		mW
Center Wavelength	$\lambda_C$	RMS (-20 dB), $I_{FP} = 400$ mA, PW = 10 $\mu$ s, Duty = 1%	1 290	1 310	1 330	nm
Spectral Width	$\sigma$	RMS (-20 dB), $I_{FP} = 400$ mA, PW = 10 $\mu$ s, Duty = 1%		4.5	10.0	nm
Rise Time	$t_r$	10-90%			2.0	ns
Fall Time	$t_f$	90-10%			2.0	ns

## ELECTRO-OPTICAL CHARACTERISTICS ( $T_C = 0$ to $+60^\circ\text{C}$ )

Parameter	Symbol	Conditions	MIN.	TYP.	MAX.	Unit
Threshold Current	$I_{th}$				50	mA
Optical Output Power from Fiber	$P_f$	$I_{FP} = 400$ mA, PW = 10 $\mu$ s, Duty = 1%	50			mW
Center Wavelength	$\lambda_C$	RMS (-20 dB), $I_{FP} = 400$ mA, PW = 10 $\mu$ s, Duty = 1%	1 280		1 342.5	nm
Temperature Dependency of Center Wavelength	$\Delta\lambda/\Delta T$			0.35		nm/°C
Spectral Width	$\sigma$	RMS (-20 dB), $I_{FP} = 400$ mA, PW = 10 $\mu$ s, Duty = 1%			10	nm

**TYPICAL CHARACTERISTICS ( $T_c = 25^\circ\text{C}$ , unless otherwise specified)**



**Remark** The graphs indicate nominal characteristics.

## REFERENCE

Document Name	Document No.
Opto-Electronics Devices Pamphlet <sup>*1</sup>	PX10160E

\*1 Published by the former NEC Electronics Corporation.

**SAFETY INFORMATION ON THIS PRODUCT**



<p><b>Warning</b> Laser Beam</p>	<p>A laser beam is emitted from this diode during operation. The laser beam, visible or invisible, directly or indirectly, may cause injury to the eye or loss of eyesight.</p> <ul style="list-style-type: none"> <li>• Do not look directly into the laser beam.</li> <li>• Avoid exposure to the laser beam, any reflected or collimated beam.</li> </ul>
<p><b>Caution</b> GaAs Products</p>	<p>This product uses gallium arsenide (GaAs). GaAs vapor and powder are hazardous to human health if inhaled or ingested, so please observe the following points.</p> <ul style="list-style-type: none"> <li>• Follow related laws and ordinances when disposing of the product. If there are no applicable laws and/or ordinances, dispose of the product as recommended below.             <ol style="list-style-type: none"> <li>1. Commission a disposal company able to (with a license to) collect, transport and dispose of materials that contain arsenic and other such industrial waste materials.</li> <li>2. Exclude the product from general industrial waste and household garbage, and ensure that the product is controlled (as industrial waste subject to special control) up until final disposal.</li> </ol> </li> <li>• Do not burn, destroy, cut, crush, or chemically dissolve the product.</li> <li>• Do not lick the product or in any way allow it to enter the mouth.</li> </ul>
<p><b>Caution</b> Optical Fiber</p>	<p>A glass-fiber is attached on the product. Handle with care.</p> <ul style="list-style-type: none"> <li>• When the fiber is broken or damaged, handle carefully to avoid injury from the damaged part or fragments.</li> </ul>

<b>Revision History</b>	<b>NX7338BF-AA Data Sheet</b>
-------------------------	-------------------------------

Rev.	Date	Description	
		Page	Summary
-	Jul 2006	-	Previous No. : PL10603EJ02V0DS
3.00	Sep 19, 2010	p.1	Modification of photograph
		p.2, 3	Modification of <b>PACKAGE DIMENSIONS</b>
4.00	Feb 28, 2011	p.2	Modification of <b>PACKAGE DIMENSIONS</b> : MMF -> SMF

All trademarks and registered trademarks are the property of their respective owners.



## X-ON Electronics

Largest Supplier of Electrical and Electronic Components

*Click to view similar products for [Laser Diodes](#) category:*

*Click to view products by [CEL](#) manufacturer:*

Other Similar products are found below :

[PLT5 520EA P](#) [PLT3 520D](#) [905D1S03UA](#) [905D1S09UA](#) [905D1S3J03UA](#) [905D1S3J09UA](#) [ADL-63054SL](#) [ADL-63301TL](#) [ADL-63V0ANP](#)  
[ADL-63V0BTP](#) [ADL-65055TL](#) [ADL-65074TA4](#) [ADL-65074TL-1](#) [ADL-65075SL](#) [ADL-65075TA4](#) [ADL-66201TA4](#) [ADL-66505TL](#) [ADL-](#)  
[66801TL](#) [ADL-78051TL](#) [ADL-78101TL](#) [ADL-83Z01TL](#) [ADL-83Z51TL](#) [ADL-85051TL](#) [ADL-85301TL](#) [ADL-85501TL](#) [PLT3 450C](#)  
[LCU632051A](#) [LCU670561A](#) [HFE4081-321](#) [OPV315YBT](#) [PLT5 450B](#) [ADL-63102TL-3](#) [ADL-63153TL](#) [ADL-66201TL](#) [LCU66A051A](#)  
[SPL LL90\\_3](#) [ADL-65075TL](#) [DFB-1310-10LR-LCA](#) [HFE4192-582](#) [FP-1310-5I-50SMF-FCAPC](#) [PL 450B](#) [PL 520\\_B1](#) [PLPT5 450KA](#)  
[PLPT5 447KA](#) [PLPT9 450LA\\_E](#) [PLT5 488](#) [PL 520\\_B1\\_2](#) [PLT5 520\\_B1-3](#) [PLT5 520B](#) [SPL PL90\\_3](#)