

# Support pour Relais SP/ST

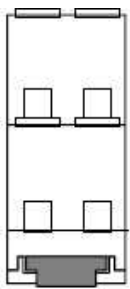
## Socket for SP/ST relay

## ESD05000

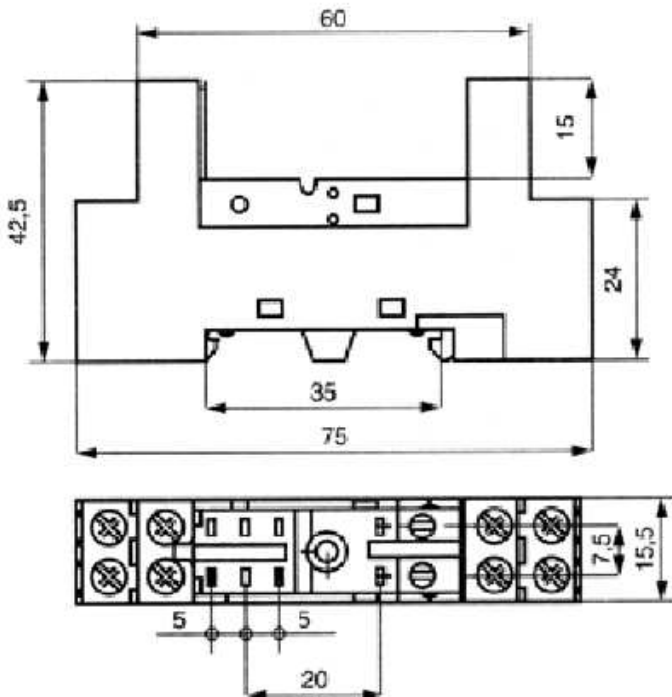
Screw terminal sockets for use with SPA/SPD and STA/STD/STN solid state

relays compatible with Electromechanical relays, having 5mm pin spacing. Mounting can be arranged either directly on panel or via DIN-46377 Omega rail. The screw terminals have jaw-type rising clamps offering touch-proof (IP20) protection. Their reduced lateral dimension is ideally suited on high density DIN-rail applications.

An optional plastic retaining spring, acting also as a relay ejecting device (1 model for SP and 1 model for ST), and a clip-on identification tab are available to complete the series



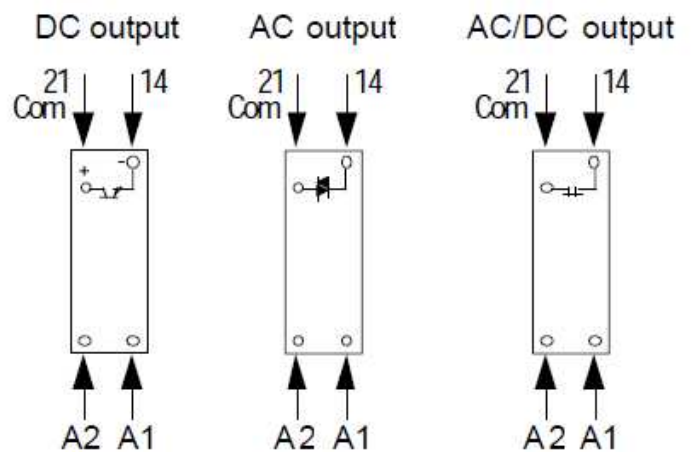
### Dimensions



Specifications :  
 Insulation resistance  
 Dielectric strength  
 UL, CSA

12A 250VAC (\*)  
 >1000Mohms  
 >3KV

(\*) see SSR specifications



## X-ON Electronics

Largest Supplier of Electrical and Electronic Components

*Click to view similar products for [Relay Sockets & Fixings](#) category:*

*Click to view products by [Celduc](#) manufacturer:*

Other Similar products are found below :

[M41G](#) [7-1616360-5](#) [8000-DG2-5](#) [GDA12HA](#) [GDA12HD](#) [GDA12SA](#) [GDA12SD](#) [GDA16HD](#) [GDA22HA](#) [GDA95A](#) [GDA95D](#) [GFX20](#)  
[GUA1](#) [GUA2-11](#) [GUA4-04](#) [GUA4-31](#) [GUM5R](#) [GUR-120](#) [GUR-24](#) [GUR-240](#) [GUR-277](#) [GURX-277](#) [GUW12](#) [GUW95](#) [GUZ32S](#) [GUZ63L](#)  
[GUZ95L](#) [AS-11](#) [AX-4MS-40](#) [1611434-8](#) [2-1608090-3](#) [PB-16](#) [SM2S-61](#) [SQ9Z-C](#) [SYSWINSMP](#) [AR-12MW](#) [GDA16HA](#) [GDA16SA](#)  
[GDA16SD](#) [GDA22HD](#) [GDA22SA](#) [GDA22SD](#) [GDA32HA](#) [GDA32HD](#) [GDA32SA](#) [GDA32SD](#) [GDA63A](#) [GDA63D](#) [GFX02](#) [GFX11](#)