

CL12.6VDC-2.5A



- automatic charger for 12.6 V lithium-ion battery packs

FEATURES:

- standard charging mode: first charging with constant current (CC), then keeping constant voltage (CV)
- reliable and efficient
- compliance with standards
- fully protected
- high efficiency and low standby power

APPLICATIONS:

- DC power backup systems
- uninterruptable power systems
- emergency lighting systems
- mobile and transportation devices
- automotive



The **CL12.6VDC-2.5A** is a high-performance and efficient 2.5 A charger for lithium-ion batteries in a small desktop enclosure. It supports 3S packets (three cells connected in series) and is designed to be charged at normal speed and to keep the batteries ready. Its design is based on high-quality electronic components that allow for continuous, long-term operation in all conditions.

The range of supported battery capacities for standard charging is 28 Wh (1C) – 56 Wh (0,5C).

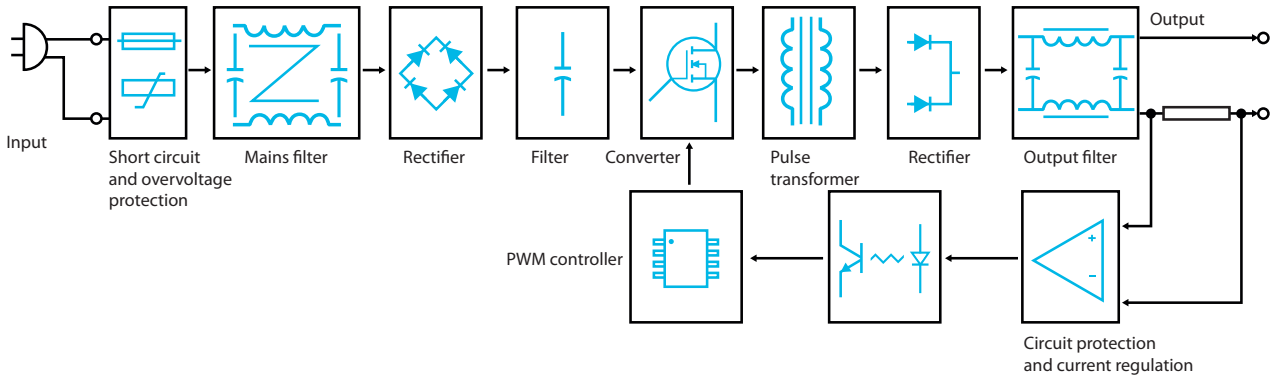
CHARGING CURRENT

Group	Parameter	Value	Conditions
Input	Rated input voltage	230 VAC	
	Input voltage range	100-240 VAC	
	Mains frequency range	50-60 Hz	
	AC current (max.)	0.8 A	At 240 VAC and full load
	Inrush current (max.)	70 A	At 240 VAC and full load
	Input leakage current (max.)	Max. 0.25 mA	At 264 VAC
	No-load power consumption	Max. 0.5 W	
	Efficiency (typ.)	80%	
Output	Charging method	CC/CV	
	Rated output voltage	12.6 V	With no load
	Minimum CV mode output voltage	12.3 V	With no load
	Maximum CV mode output voltage	12.75 V	With no load
	Rated output current	2.5 A	
	Lowest CC mode current	2.15 A	
	Highest CC mode current	2.6 A	
	Rated output power	32 W	
	DC voltage rise time (max.)	Up to 40 ms	At 100 VAC and full load
	Hold up time (max.)	5 ms	At 100 VAC and full load
Turn on delay time (max.)	Up to 3 s	At 100 VAC and full load	
Environmental	Working temperature	0°C to +50°C	
	Working humidity	5% to 90% RH	Without condensation
	Storage temperature	-10°C to +80°C	
	Cooling method	Free air circulation	
Protection	Short circuit	Yes	
	Overcurrent	Yes	Rectangular characteristic
	Automatic recovery on fault remove	Yes	
Safety and EMC	Withstand isolation voltage	3 kVAC (input to output)	5 mA, 1 min
	Isolation class	2	Grounding is not required
	Safety compliance	EN60950, EN60335	
	EMC compliance	EN55022, class B	
	Marking	RoHS, CE	
Mechanical	Dimension	105 × 45 × 28,5 mm	L × W × H
	Enclosure	Black ABS plastic	Plug type
	Weight	169 g	
	Input connector	IEC320 C7 2-pole socket	
	Output connector	DC Jack 2.1 × 5.5 × 11 mm	Plus in the middle
	Output cable	1.5 m	0.52 mm ²
	Single package	146 × 63 × 70 mm	
	Packing	340 × 310 × 370 mm	50 pieces
Country of manufacturing	China		

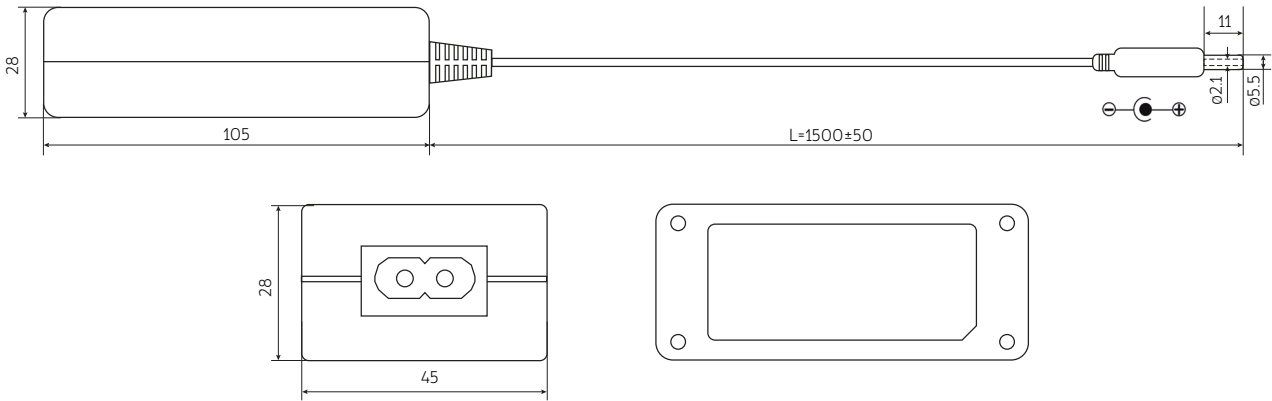
Notes:

Unless otherwise stated, all parameters are specified at 230 VAC input voltage, 50 Hz, ambient temperature 25°C and relative humidity 70% for rated load output. The values of parameters related to the output voltage regulation is measured from low to high line or for load changes from 0 to 100%, respectively. The power supply (charger) is considered as an independent unit, but the final equipment still need to reconfirm that the whole system complies with the EMC directives. If the PSU is installed in the final device as a subassembly, the tests should be repeated to verify that the system has been met compliance. Detailed technical data are available on request.

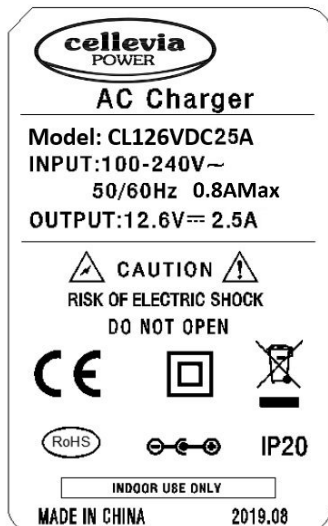
BLOCK DIAGRAM



MECHANICAL SPECIFICATION



PRODUCT LABEL



Attention. The charger is designed to work with a lithium-ion battery pack with a built-in balancer system. Its use for charging packages without a balancing system is only possible if the cell manufacturer allows such a possibility, e.g. for cells of the same type and from the same batch, and for charging with low current. If in doubt, please check the cell manufacturer's recommendations (datasheet) and follow the recommendations contained therein.

Legend to the label icons:

- - II safety class: no grounding is required, no dangerous voltage even in an emergency situation will appear on output
- ⊕ ⊖ - polarization: plus in the middle, minus outside
- ♻️ - the product must not be disposed of in normal waste containers

LED STATUS INDICATORS

State	Conditions	LED red	LED green
No battery	No battery connected to charger	○	●
Charging	Output current over 2150 mA	●	○
Battery charged	Output current below 250 mA and battery voltage over 12 V	○	●

MARKING SYSTEM

CL12.6VDC-2.5A

- Charging current **2,5 A**
- Rated voltage **12,6 V**
- Series **CL**

X-ON Electronics

Largest Supplier of Electrical and Electronic Components

Click to view similar products for [Adapters category](#):

Click to view products by [Cellevia manufacturer](#):

Other Similar products are found below :

[GP ECO B421 + 4XAA RECYKO 2100](#) [GP ECO B421 + 4XAA RECYKO 2700](#) [GP ECO E211 + 2XAA RECYKO 2100](#) [PB2S BLUE PD45II](#) [GP ECO M451 + 4XAA RECYKO 2700](#) [GP E411 + 4 X R6 2100 RECYKO](#) [CABLE-3/CL](#) [EPA1020-075](#) [EPA1206PRO](#) [CABLE-2/CL](#) [6PRMOBI06S](#) [6PRO122420](#) [CABLE-1/CL](#) [POLOLU MICROSD ADAPTER](#) [GROVE CAPE FOR BEAGLEBONE](#) [GROVE BREAKOUT FOR LINKIT SMART 7688 DUO](#) [RBFN-EU-SEN-BMT-12](#) [11293](#) [9127](#) [9546](#) [9755](#) [9983](#) [OKY1201](#) [OKY1204](#) [I2C HUB DUAL MAX14870 MOTOR DRIVER SHIELD](#) [AB-12.100/ST8VA](#) [BC-20 PRO 20A 12V](#) [BC4](#) [BQ-CC65](#) [CL12.6VDC-1.5A](#) [CL12.6VDC-2.5A](#) [CL12.6VDC-4.76A](#) [CL8.4VDC-1.2A](#) [CL8.4VDC-2.5A](#) [CL8.4VDC-5A](#) [EP12M248L](#) [GM3A](#) [GP 2XP861 + 8X2100 RECYKO DOK](#) [GP ECO B421 + 4XAA RECYKO 2100 + D451](#) [GP P461 + 4 X 2100 RECYKO DOK](#) [GP PRO P461 + 4XAA RECYKO 2100](#) [LIFEPO4-12.8V-5A](#) [LIFEPO4-38.4-5A](#) [LI-ION-11.1V-5A](#) [LI-ION-14.8V-10A](#) [LI-ION-14.8V-5A](#) [LI-ION-14.8V-8A](#) [LI-ION-25.9V-2A](#)