



# CLD-6012-INT-EB25

12V / 5A Wall mounted type AC/DC adaptor



## ■ Features:

- Universal AC input / Full range
- Wall mounted type, Isolation class II design
  - ErP step II / CEC level VI compliance
  - No load power consumption  $P < 0.25W$
- Protections: Overload / Short circuit / Over Temperature

## ELECTRICAL SPECIFICATION

MODEL	CLD-6012-INT-EB25
-------	-------------------

### OUTPUT

Rated Voltage	12V
Rated Current	5A
Current Range	0 ÷ 5A
Rated Power	60W
Line Regulation	± 2%
Load Regulation	± 5%
Tolerance [3]	± 8%
Ripple & Noise (max.) [2]	200mV <sub>p-p</sub>
Setup, Rise Time [4]	1000ms, 20ms / 230VAC at full load
Hold up Time (typ.)	10ms / 230VAC at full load

### INPUT

Voltage Range	90 ÷ 264VAC
Frequency Range	47 ÷ 63Hz
Efficiency (typ.)	90.33%
AC Current (typ.)	0.69A / 115VAC, 0.5A / 230VAC
No load Power Consumption (max.)	0.25W

### PROTECTIONS

Overload	Range: 110 ÷ 150%
	Type: hiccup mode, auto-recovery.
Short Circuit	Type: hiccup mode, auto-recovery.
Over voltage	Range: 12 ÷ 19V
	Type: hiccup mode, auto-recovery
Over temperature	Type: hiccup mode, auto-recovery



# CLD-6012-INT-EB25

12V / 5A Wall mounted type AC/DC adaptor

## WORKING ENVIRONMENT

<b>Working Temperature</b>	0°C ÷ 40°C
<b>Working Humidity</b>	10 ÷ 90% RH non-condensing
<b>Storage Temperature and Humidity</b>	-20°C ÷ 85°C, 5 ÷ 90% RH non-condensing

## SAFETY and EMC REGULATIONS

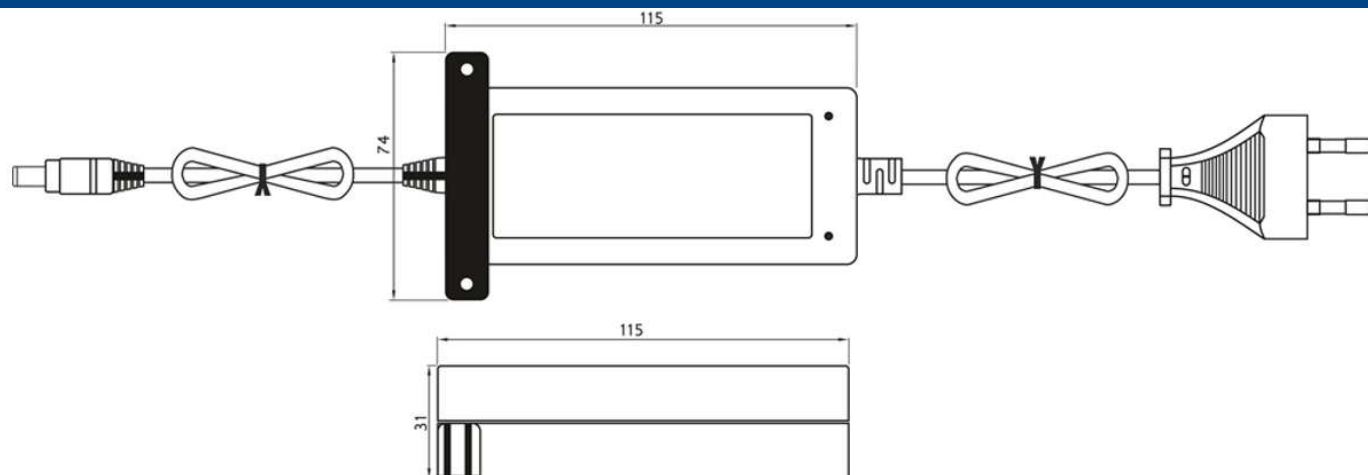
<b>Safety Standards</b>	Compliance to EN 62368
<b>Withstand Voltage</b>	IN/OUT: 3.6kVAC
<b>Isolation Resistance</b>	IN/OUT: 100MΩ/500VDC/25°C/70%
<b>EMC Emission</b>	Compliance to EN55032
<b>EMC Immunity</b>	Compliance to EN61000-4-2, -3, -4, -5
<b>Harmonic Current</b>	Compliance to EN61000-3-3; EN61000-3-2

## OTHERS

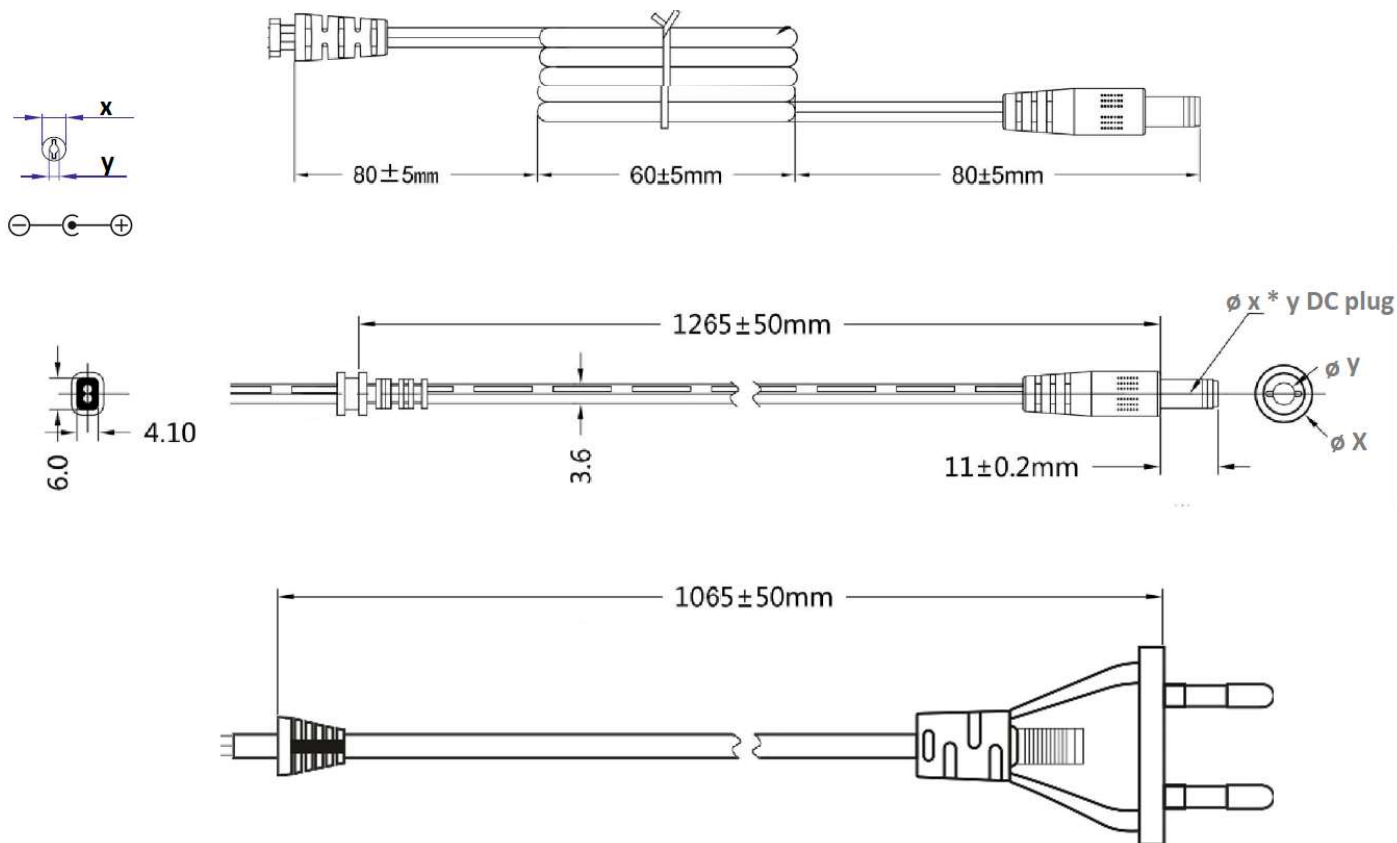
<b>Wire and plug</b>	Wire: 20AWG, length = 105cm ±50mm	Plug: IEC C8
	Wire: 18AWG, length = 125cm ±50mm	Plug: 2.5/5.5, positive inside
<b>Dimensions</b>	115 x 74 x 31mm (L x W x H)	
<b>Net Weight / gross</b>	205g / 292g	

1. All parameters NOT specially mentioned are measured at 230VAC input, rated load and 25°C of ambient temperature.
2. Ripple & noise are measured at 20MHz of bandwidth by using a 12" twisted pair-wire terminated with a 0.1μF i 47μF parallel capacitor.
3. Tolerance includes set up tolerance, line regulation and load regulation.
4. Setup and rise time is measured from 0 to 90% rated output voltage.
5. Power supply is considered as component not indented to apply by end-user. Power supply meets safety and EMC standards however the final equipment with power supply must be re-quality to comply with EMC Directives.

## MECHANICAL SPECIFICATION



## MECHANICAL SPECIFICATION - Wire and plug



*MODEL	DC PLUG	X [mm]	Y [mm]	Polarity
CLD-6012-INT-EB	5.5x2.1mm	5.5	2.1	center positive
<b>CLD-6012-INT-EB25</b>	<b>5.5x2.5mm</b>	<b>5.5</b>	<b>2.5</b>	<b>center positive</b>
CLD-6012-INT-EB13	3.5x1.3mm	3.5	1.3	center positive
CLD-6012-INT-EB40	4.0x1.7mm	4.0	1.7	center positive
CLD-6012-INT-EB48	4.8x1.7mm	4.8	1.7	center positive
CLD-6012-INT-EB-CN	5.5x2.1mm	5.5	2.1	center negative
CLD-6012-INT-EB25-CN	5.5x2.5mm	5.5	2.5	center negative
CLD-6012-INT-EB13-CN	3.5x1.3mm	3.5	1.3	center negative
CLD-6012-INT-EB40-CN	4.0x1.7mm	4.0	1.7	center negative
CLD-6012-INT-EB48-CN	4.8x1.7mm	4.8	1.7	center negative

## X-ON Electronics

Largest Supplier of Electrical and Electronic Components

*Click to view similar products for [Desktop AC Adapters](#) category:*

*Click to view products by [Cellevia](#) manufacturer:*

Other Similar products are found below :

[212A2136](#) [ADP485-01](#) [SWA-1202](#) [SWA-1501](#) [212A2220](#) [432703037451](#) [KR8-PS01](#) [1894875](#) [FWE050024B-10A](#) [820A4080G](#) [825A0057-03](#) [SWA-1704W](#) [AD5012N2LM-\(401\)](#) [SDI65-24-UDC-P5R](#) [TRH21A120-49E03-Level-VI](#) [FWC100024A-11A](#) [FWE050012B-10A](#) [AC-DC ADAPTER 90W w/ Cable](#) [FWA065024A-11A](#) [PSA120U-560L6](#) [FWE050024A-10A](#) [96PSA-A63W18V1-M](#) [1895235](#) [PW-C0725-W2-B](#) [57-U1](#) [57-U2](#) [CENB1040A1245F02](#) [SED80N2-16.0](#) [SED80N3-16.0](#) [RFQ43442-01](#) [YS50-1903150](#) [50966124050E](#) [96PSA-A36W12R1-3](#) [PCM50UT04](#) [PCM50UT05](#) [Adapter 24V230W FSP230-AAAN3 WIRE FSP](#) [TRH100A240-11E12 VI](#) [TR70MB360-01E03 VI](#) [TRH50A240-11E01 VI](#) [TRE36A120-01G03 VI](#) [TRH100A180-11E12 VI](#) [POSC12250D-C8-WH](#) [POSC12300D-C8-WH](#) [POSC12500D-C8-WH](#) [SYS1588-3015-T2](#) [SYS1588-3018-T2](#) [SYS1588-3024-T2](#) [CPSUNOTAKY-07056](#) [CPSUNOTAKY-07058](#) [CPSUNOTAKY-07168](#)