

# CLD-6012-T3-EA series

12V / 5A Desktop Type Constant Voltage Power Supply



## ■ Features:

- Universal AC input / Full range
- ErP step II / CEC level V compliance
- Protections: Over current / Short circuit
- Output Voltage LED indicator



## ELECTRICAL SPECIFICATION

MODEL	CLD 6012 T3 EA
<b>OUTPUT</b>	
Rated Voltage	12V
Rated Current	5A
Current Range	0 ÷ 5A
Rated Power	60W
Line Regulation	± 1%
Load Regulation	± 5%
Tolerance [3]	± 5%
Ripple & Noise (max.) [2]	240mV <sub>p-p</sub>
Setup, Rise Time [4]	3000ms, 50ms / 230VAC at full load
Hold up Time (typ.)	8ms / 230VAC at full load
<b>INPUT</b>	
Voltage Range	90 ÷ 264VAC
Frequency Range	47 ÷ 63Hz
Efficiency (typ.)	87%
AC Current (typ.)	1.8A / 115VAC, 0.9A / 230VAC
Inrush Current (typ.)	30A / 115VAC, 60A / 230VAC
Leakage Current (max.)	0.75mA / 240VAC

## PROTECTIONS

Over Current	Type: hiccup mode, auto-recovery.
Short Circuit	Type: hiccup mode, auto-recovery.

## WORKING ENVIRONMENT

# CLD-6012-T3-EA series



12V / 5A Desktop Type Constant Voltage Power Supply

<b>Working Temperature</b>	0°C ÷ 40°C
<b>Working Humidity</b>	10 ÷ 90% RH non-condensing
<b>Storage Temperature and Humidity</b>	-20°C ÷ 85°C, 5 ÷ 90% RH non-condensing

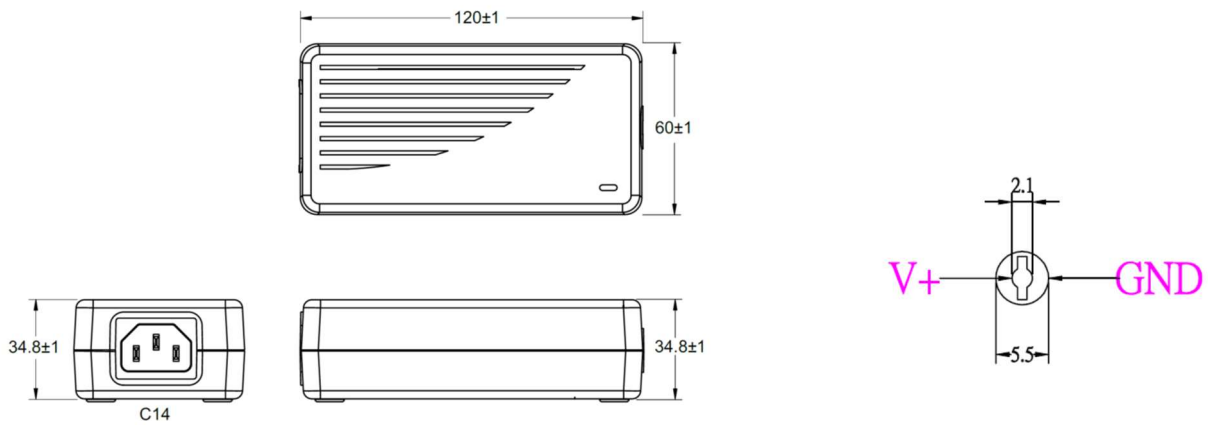
## SAFETY and EMC REGULATIONS

<b>Safety Standards</b>	Compliance to EN 60950-1
<b>Withstand Voltage</b>	IN/OUT: 4242kVDC
<b>Isolation Resistance</b>	IN/OUT: 50MΩ/500VDC/25°C/70%
<b>EMC Emission</b>	Compliance to EN55032
<b>EMC Immunity</b>	Compliance to EN61000-4-2, -3, -4, -5
<b>Harmonic Current</b>	Compliance to EN61000-3-3; EN61000-3-2

## OTHERS

<b>Dimensions</b>	120 x 60 x 35mm (L x W x H)
<b>Weight</b>	280g

## MECHANICAL SPECIFICATION



## X-ON Electronics

Largest Supplier of Electrical and Electronic Components

*Click to view similar products for [Desktop AC Adapters](#) category:*

*Click to view products by [Cellevia](#) manufacturer:*

Other Similar products are found below :

[YS50-1903150](#) [ADP-40KD BBBM](#) [DTA27-3X-W-5](#) [212A2136](#) [ADP485-01](#) [SWA-1202](#) [SWA-1501](#) [212A2220](#) [212A2220-02](#) [212A2220-04](#)  
[FWE030015A-10A](#) [TRH100A135-02E12-Level-VI](#) [TRH100A180-11E13-Level-VI](#) [TRH100A240-01E13-Level-VI](#) [TRH100A280-01E13-](#)  
[Level-VI](#) [TRH100A280-11E13-Level-VI](#) [TRH50A120-02E01-Level-VI](#) [TRH50A120-12E01-Level-VI](#) [TRH50A120-40E01-Level-VI](#)  
[TRH50A150-12E12-Level-VI](#) [TRH50A180-11E03-Level-VI](#) [TRH50A240-02E03-Level-VI](#) [TRH70A120-11E01-Level-VI](#) [TRH70A150-](#)  
[12E02-Level-VI](#) [TRH70A240-11E03-Level-VI](#) [416FG41017](#) [DTA27-0512FWX-W3](#) [TRH100A120-02E12-Level-VI](#) [TRH100A150-11E12-](#)  
[Level-VI](#) [TRH100A180-02E13-Level-VI](#) [TRH100A240-02E13-Level-VI](#) [TRH100A240-36E13-Level-VI](#) [TRH100A280-12E13-Level-VI](#)  
[TRH100A480-11E13-Level-VI](#) [TRH100A480-12E13-Level-VI](#) [TRH50A120-11E01-Level-VI](#) [TRH50A120-49E01-Level-VI](#) [TRH50A150-](#)  
[11E02-Level-VI](#) [TRH50A150-12E02-Level-VI](#) [TRH70A120-01E01-Level-VI](#) [TRH70A480-02E03-Level-VI](#) [KR8-PS01](#) [1894875](#)  
[FWE030012A-10A](#) [FWE050024B-10A](#) [820A4080G](#) [825A0052-03](#) [825A0057-03](#) [SWA-1704W](#) [AD5012N2LM-\(401\)](#)