



CLW-0112-W2E-EB

12V / 0.1A Wall mounted type AC/DC adaptor

■ Features:

- Universal AC input / Full range
- Wall mounted type, Isolation class II design
 - No load power consumption $P < 0.3W$
 - Protections: Overload / Short circuit /



ELECTRICAL SPECIFICATION

MODEL	CLW-0112-W2E-EB
OUTPUT	
Rated Voltage	12V
Rated Current	0.1A
Current Range	0 ÷ 0.1A
Rated Power	1.2W
Line Regulation	± 1%
Load Regulation	± 3%
Tolerance [3]	± 5%
Ripple & Noise (max.) [2]	120mV _{p-p}
Setup, Rise Time [4]	3000ms, 20ms / 230VAC at full load
Hold up Time (typ.)	10ms / 230VAC at full load

INPUT	
Voltage Range	90 ÷ 264VAC
Frequency Range	47 ÷ 63Hz
Efficiency (typ.)	64%
AC Current (typ.)	0.05A / 115VAC, 0.05A / 230VAC
No load Power Consumption (max.)	0.3W

PROTECTIONS	
Overload	Range: 200% rated current Type: Over power limiting (current rises, voltage drops). Recovers automatically after fault condition is removed.
Short Circuit	Type: over power limiting, ISC = 0.2A , auto-recovery.



CLW-0112-W2E-EB

12V / 0.1A Wall mounted type AC/DC adaptor

WORKING ENVIRONMENT

Working Temperature	-5°C ÷ 40°C
Working Humidity	10 ÷ 90% RH non-condensing
Storage Temperature and Humidity	-20°C ÷ 60°C, 10 ÷ 90% RH non-condensing

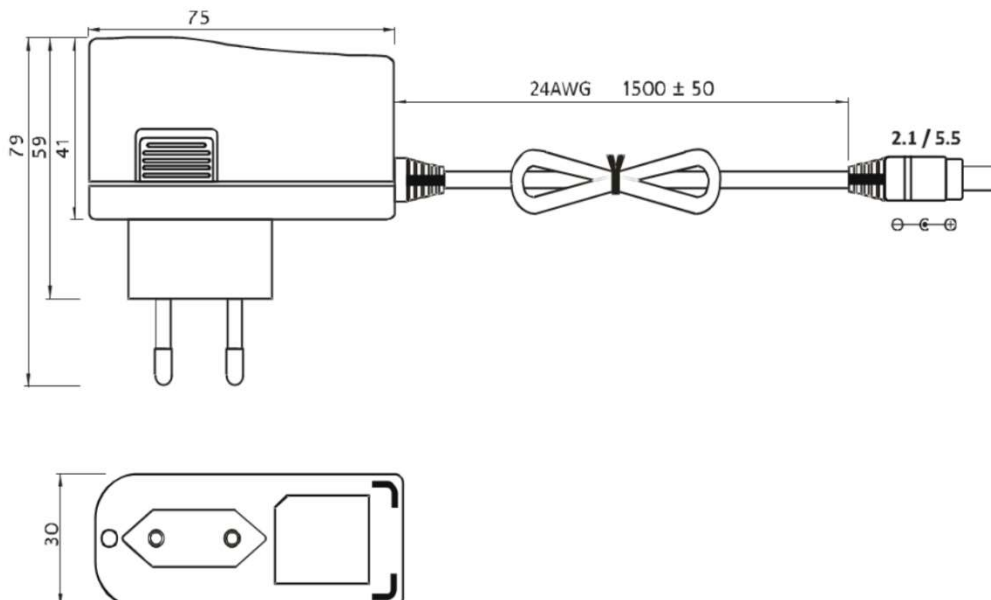
SAFETY and EMC REGULATIONS

Safety Standards	Compliance to EN 60950-1
Withstand Voltage	IN/OUT: 3kVAC
Isolation Resistance	IN/OUT: 100MΩ/500VDC/25°C/70%
EMC Emission	Compliance to EN55022
EMC Immunity	Compliance to EN61000-3-3, EN61000-3-2
Harmonic Current	Compliance to EN61000-3-3; EN61000-3-2

OTHERS

Wire and plug	Wire 24AWGx2C, length = 1500mm	Input: CEE 7/16 plug
		Plug: 2.1/5.5, positive inside
Dimensions	75 x 30 x 79mm (L x W x H)	
Net Weight / gross	70g / 91g	

1. All parameters NOT specially mentioned are measured at 230VAC input, rated load and 25°C of ambient temperature.
2. Ripple & noise are measured at 20MHz of bandwidth by using a 12" twisted pair-wire terminated with a 0.1µF i 47µF parallel capacitor.
3. Tolerance includes set up tolerance, line regulation and load regulation.
4. Setup and rise time is measured from 0 to 90% rated output voltage.
5. Power supply is considered as component not indented to apply by end-user. Power supply meets safety and EMC standards however the final equipment with power supply must be re-quality to comply with EMC Directives.



X-ON Electronics

Largest Supplier of Electrical and Electronic Components

Click to view similar products for [Wall Mount AC Adapters](#) category:

Click to view products by [Cellevia](#) manufacturer:

Other Similar products are found below :

[76000738](#) [76000756-B10](#) [ADP-163 E](#) [ADP-159 A](#) [PSAC05A-050L6](#) [RLMDT361800](#) [TE30A1803F01](#) [0650-00005](#) [P25A14E-R1C](#) [SWI24-12-N-P6R](#) [SWI24-24-N-ST](#) [TRH25033-A-02E01-Level-VI](#) [DA5-050US-B](#) [DA5-050UK-B](#) [RLMDT701800](#) [76000756](#) [DA5-050EU-B](#) [WSU120-2000-R13](#) [5V1A-USB](#) [AC-DC ADAPTER 160W](#) [WSU120-2000-13](#) [WSU150-0800-13](#) [76000980](#) [WSU075-3200-13](#) [WSU090-2500-13](#) [WSU050-2000-R13](#) [WSU240-1000-13](#) [WSU090-3500-R13](#) [WSU075-1500-13](#) [WSU050-3000-13](#) [WSU135-1330-13](#) [WSU045-1500-13](#) [WSU090-2500-R13](#) [WSU240-1500-13](#) [WSU180-0660-13](#) [WSU075-1500-R13](#) [WSU090-1300-13](#) [WSU180-1330-R13](#) [NTPS-24-TT-700](#) [BB-SMI1812VP230C1](#) [WSU150-1600-13](#) [WSU050-1500-13](#) [WSU090-0800-13](#) [WSU180-0450-13](#) [WSU150-0560-R13](#) [WSU135-0880-13](#) [WSU120-3000-13](#) [WSU120-1000-R13](#) [WSU090-1300-R13](#) [WSU060-4000-13](#)