

CLW-0505-EB-BK series

5V / 1A Wall mounted type AC/DC adaptor



■ Features:

- Universal AC input / Full range
- ErP step II / CEC level VI compliance
- No load power consumption $P < 0.075W$
- Protections: Overload / Short circuit / Over Voltage



ELECTRICAL SPECIFICATION



MODEL	CLW-0505-EB-BK
-------	----------------

OUTPUT

Rated Voltage	5V
Rated Current	1A
Current Range	0 ÷ 1A
Rated Power	5W
Line Regulation	± 1%
Load Regulation	± 5%
Tolerance [3]	± 8%
Ripple & Noise (max.) [2]	200mV _{P-P}
Setup, Rise Time [4]	5000ms, 30ms / 230VAC at full load
Hold up Time (typ.)	5ms / 230VAC at full load

INPUT

Voltage Range	90 ÷ 264VAC
Frequency Range	47 ÷ 63Hz
Efficiency (typ.)	73.81%
AC Current (typ.)	0.2A / 115VAC, 0.25A / 230VAC
No load Power Consumption (max.)	0.075W

PROTECTIONS

Overload	Range: 105-200% Auto-recovery.
Short Circuit	Type: hiccup mode, auto-recovery.
Over Voltage	Type: auto-recovery.

CLW-0505-EB-BK series

5V / 1A Wall mounted type AC/DC adaptor



WORKING ENVIRONMENT

Working Temperature	0°C ÷ 40°C
Working Humidity	10 ÷ 90% RH non-condensing
Storage Temperature and Humidity	-20°C ÷ 85°C, 5 ÷ 90% RH non-condensing

SAFETY and EMC REGULATIONS

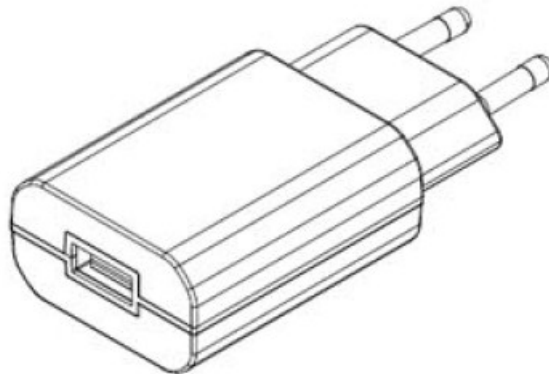
Safety Standards	Compliance to EN 62368
Withstand Voltage	IN/OUT: 3.6kVAC
Isolation Resistance	IN/OUT: 50MΩ/500VDC/25°C/70%
EMC Emission	Compliance to EN55032
EMC Immunity	Compliance to EN61000-4-2, -3, -4, -5
Harmonic Current	Compliance to EN61000-3-3; EN61000-3-2

OTHERS

DC socket	USB Port
Dimensions	86.2 x 39.4 x 21.5mm (L x W x H)
Net Weight	36.5g

1. All parameters NOT specially mentioned are measured at 230VAC input, rated load and 25°C of ambient temperature.
2. Ripple & noise are measured at 20MHz of bandwidth by using a 12" twisted pair-wire terminated with a 0.1μF i 47μF parallel capacitor.
3. Tolerance includes set up tolerance, line regulation and load regulation.
4. Setup and rise time is measured from 0 to 90% rated output voltage.
5. Power supply is considered as component not indented to apply by end-user. Power supply meets safety and EMC standards however the final equipment with power supply must be re-quality to comply with EMC Directives.

MECHANICAL SPECIFICATION

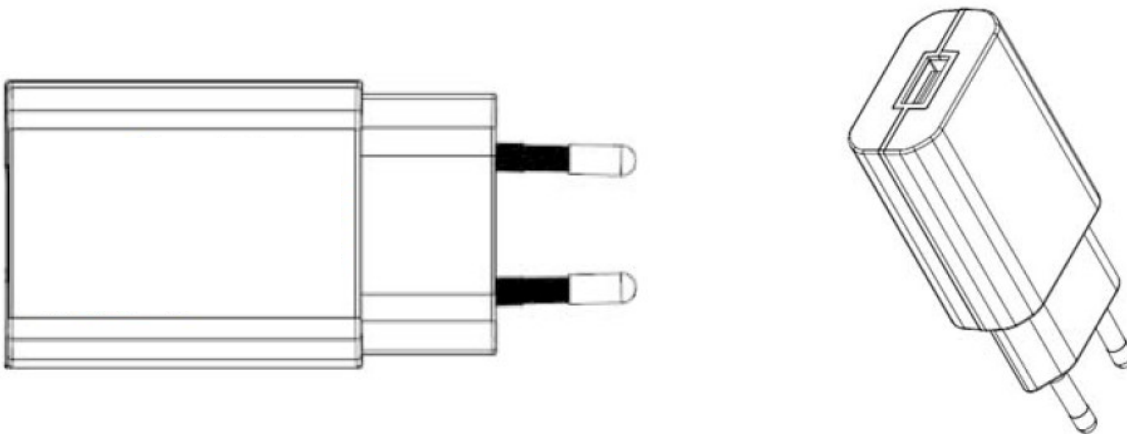
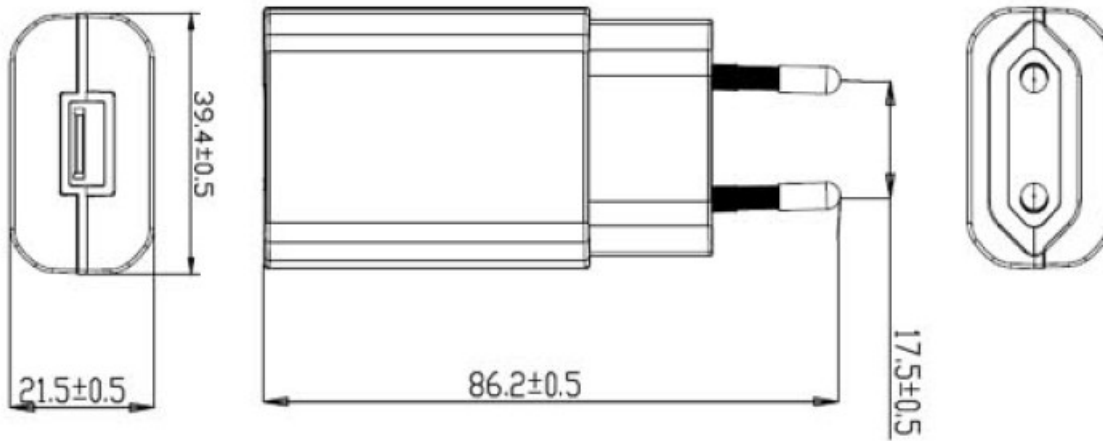
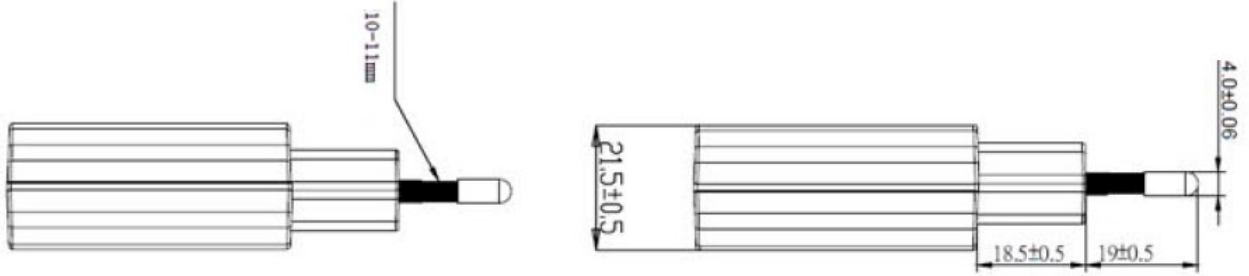


CLW-0505-EB-BK series

5V / 1A Wall mounted type AC/DC adaptor



MECHANICAL SPECIFICATION



X-ON Electronics

Largest Supplier of Electrical and Electronic Components

Click to view similar products for [Cellevia](#) manufacturer:

Other Similar products are found below :

[CLW-0909-W2E-EB-L](#) [CLD-3612-T2](#) [CLD-8012-T3](#) [AC/DC-CL-DT12/3](#) [CLD-9012-T2-E25](#) [CLW-1505-W2E](#) [CLD-9012-T2-EA](#) [CLW-1809-W2E-ER25](#) [CLW-1309-W2E-EB25](#) [CLD-3612-T2-E25](#) [CLW-3612-W2E-EB25](#) [CLW-1212-W2E-EB-L](#) [CLW-1212-W2E-EB25](#) [CLD-6012-INT-EB25](#) [CLW-1505-W2E-EB-L](#) [CLD-2412-T2-E25](#) [CLW-0909-W2E-EB25](#) [CL8.4VDC-1.2A](#) [CLD-2412-INT-EB25](#) [CLD-4012-T2-E25](#) [CLW-1505-W2E-ER-USB](#) [CLD-10012-T2-E](#) [CLD-1212-INT-EB25](#) [CLW-1005-W2E-EB25](#) [CLW-2005-W2E-EB-L](#) [CLW-0612-W2E-EB-L](#) [CLW-2424-W2E-ER-P](#) [CL12.6VDC-1.5A](#) [CLW-1309-W2E-EB-L](#) [CLW-3624-W2E-EB](#) [CLW-1812-W2E-ER](#) [CLD-3612-INT-EB25](#) [CL-R6/2X5-1500B](#) [CLW-1505-W2E-EB25](#) [CLW-1505-W2E-ER25](#) [CL-R6/2X4-1500B](#) [CL-R6/5S1P-1500B](#) [CLD-7012-T2-E25](#) [CLW-1005-W2E-EB-L](#) [CLD-6524-T3-ER25](#) [CLD-10012-T2-E25](#) [CL-R6/2X6-1500P](#) [CLW-1812-W2E-ER-WH](#) [CLW-0909-W2E-EB](#) [CLW-3612-W2E-EB-L](#) [CLW-1512-W2E-ER-WH](#) [CLW-1809-W2E-ER-CN](#) [CLW-2424-W2E-EB-L](#) [CLD-3612-T2-2555L](#) [CL12.6VDC-4.76A](#)