

CLW-1005-W2E-ER-WH series

5V / 2A Wall mounted type AC/DC adaptor



■ Features:

- Universal AC input / Full range
- ErP step II / CEC level VI compliance
- No load power consumption $P < 0.075W$
- Protections: Overload / Short circuit / Over Voltage



ELECTRICAL SPECIFICATION

| | |
|-------|--------------------|
| MODEL | CLW-1005-W2E-ER-WH |
|-------|--------------------|

OUTPUT

| | |
|---------------------------|------------------------------------|
| Rated Voltage | 5V |
| Rated Current | 2A |
| Current Range | 0 ÷ 2A |
| Rated Power | 10W |
| Line Regulation | ± 1% |
| Load Regulation | ± 5% |
| Tolerance [3] | ± 8% |
| Ripple & Noise (max.) [2] | 150mV _{P-P} |
| Setup, Rise Time [4] | 5000ms, 30ms / 230VAC at full load |
| Hold up Time (typ.) | 4ms / 230VAC at full load |

INPUT

| | |
|----------------------------------|-------------------------------|
| Voltage Range | 90 ÷ 264VAC |
| Frequency Range | 47 ÷ 63Hz |
| Efficiency (typ.) | 79% |
| AC Current (typ.) | 0.5A / 115VAC, 0.25A / 230VAC |
| No load Power Consumption (max.) | 0.075W |

PROTECTIONS

| | |
|---------------|-----------------------------------|
| Overload | Range: 105-200% Auto-recovery. |
| Short Circuit | Type: hiccup mode, auto-recovery. |
| Over Voltage | Type: auto-recovery. |

CLW-1005-W2E-ER-WH series

5V / 2A Wall mounted type AC/DC adaptor



WORKING ENVIRONMENT

| | |
|---|---|
| Working Temperature | 0°C ÷ 40°C |
| Working Humidity | 10 ÷ 90% RH non-condensing |
| Storage Temperature and Humidity | -20°C ÷ 85°C, 5 ÷ 90% RH non-condensing |

SAFETY and EMC REGULATIONS

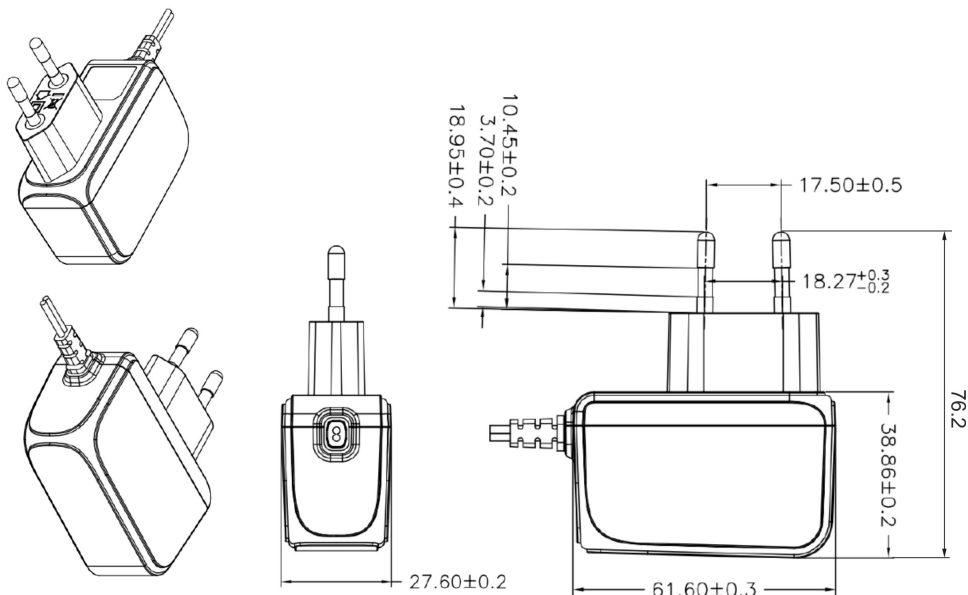
| | |
|-----------------------------|--|
| Safety Standards | Compliance to EN 60950-1 |
| Withstand Voltage | IN/OUT: 3.6kVAC |
| Isolation Resistance | IN/OUT: 50MΩ/500VDC/25°C/70% |
| EMC Emission | Compliance to EN55032 |
| EMC Immunity | Compliance to EN61000-4-2, -3, -4, -5 |
| Harmonic Current | Compliance to EN61000-3-3; EN61000-3-2 |

OTHERS

| | | |
|-------------------------|----------------------------------|--------------------------------|
| DC wire and plug | Wire: 22AWG*2C, length = 1500mm | Plug: 2.1/5.5, positive inside |
| Dimensions | 76.2 x 27.6 x 61.6mm (L x W x H) | |
| Net Weight | 78.7g | |

1. All parameters NOT specially mentioned are measured at 230VAC input, rated load and 25°C of ambient temperature.
2. Ripple & noise are measured at 20MHz of bandwidth by using a 12" twisted pair-wire terminated with a 0.1μF i 47μF parallel capacitor.
3. Tolerance includes set up tolerance, line regulation and load regulation.
4. Setup and rise time is measured from 0 to 90% rated output voltage.
5. Power supply is considered as component not indented to apply by end-user. Power supply meets safety and EMC standards however the final equipment with power supply must be re-quality to comply with EMC Directives.

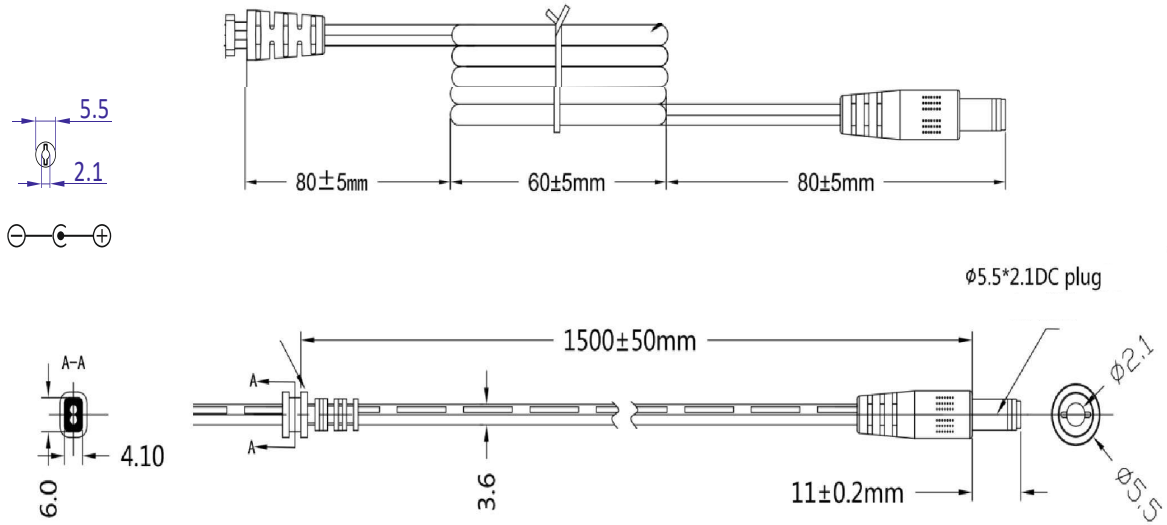
MECHANICAL SPECIFICATION



CLW-1005-W2E-ER-WH series



5V / 2A Wall mounted type AC/DC adaptor



X-ON Electronics

Largest Supplier of Electrical and Electronic Components

Click to view similar products for [Wall Mount AC Adapters](#) category:

Click to view products by [Cellevia](#) manufacturer:

Other Similar products are found below :

[76000738](#) [76000756-B10](#) [ADP-163 E](#) [ADP-159 A](#) [PSAC05A-050L6](#) [RLMDT361800](#) [TE30A1803F01](#) [0650-00005](#) [P25A14E-R1C](#) [SWI24-12-N-P6R](#) [SWI24-24-N-ST](#) [TRH25033-A-02E01-Level-VI](#) [DA5-050US-B](#) [DA5-050UK-B](#) [RLMDT701800](#) [76000756](#) [DA5-050EU-B](#) [WSU120-2000-R13](#) [5V1A-USB](#) [AC-DC ADAPTER 160W](#) [WSU120-2000-13](#) [WSU150-0800-13](#) [76000980](#) [WSU075-3200-13](#) [WSU090-2500-13](#) [WSU050-2000-R13](#) [WSU240-1000-13](#) [WSU090-3500-R13](#) [WSU075-1500-13](#) [WSU050-3000-13](#) [WSU135-1330-13](#) [WSU045-1500-13](#) [WSU090-2500-R13](#) [WSU240-1500-13](#) [WSU180-0660-13](#) [WSU075-1500-R13](#) [WSU090-1300-13](#) [WSU180-1330-R13](#) [NTPS-24-TT-700](#) [BB-SMI1812VP230C1](#) [WSU150-1600-13](#) [WSU050-1500-13](#) [WSU090-0800-13](#) [WSU180-0450-13](#) [WSU150-0560-R13](#) [WSU135-0880-13](#) [WSU120-3000-13](#) [WSU120-1000-R13](#) [WSU090-1300-R13](#) [WSU060-4000-13](#)