

# CLW-1224-W2E-EB series

24V / 0.5A Wall mounted type AC/DC adaptor



## ■ Features:

- Universal AC input / Full range
- ErP step II / CEC level VI compliance
- No load power consumption  $P < 0.075W$
- Protections: Overload / Short circuit / Over Voltage



## ELECTRICAL SPECIFICATION

<b>MODEL</b>	CLW-1224-W2E-EB
<b>OUTPUT</b>	
<i>Rated Voltage</i>	24V
<i>Rated Current</i>	0.5A
<i>Current Range</i>	0 ÷ 0.5A
<i>Rated Power</i>	12W
<i>Line Regulation</i>	± 1%
<i>Load Regulation</i>	± 5%
<i>Tolerance [3]</i>	± 8%
<i>Ripple &amp; Noise (max.) [2]</i>	140mV <sub>p-p</sub>
<i>Setup, Rise Time [4]</i>	5000ms, 30ms / 230VAC at full load
<i>Hold up Time (typ.)</i>	4ms / 230VAC at full load
<b>INPUT</b>	
<i>Voltage Range</i>	90 ÷ 264VAC
<i>Frequency Range</i>	47 ÷ 63Hz
<i>Efficiency (typ.)</i>	81.18%
<i>AC Current (typ.)</i>	0.3A / 115VAC, 0.4A / 230VAC
<i>No load Power Consumption (max.)</i>	0.075W

## PROTECTIONS

<i>Overload</i>	Range: 105-200% Auto-recovery.
<i>Short Circuit</i>	Type: hiccup mode, auto-recovery.
<i>Over Voltage</i>	Type: auto-recovery.

# CLW-1224-W2E-EB series

24V / 0.5A Wall mounted type AC/DC adaptor



## WORKING ENVIRONMENT

<i>Working Temperature</i>	0°C ÷ 40°C
<i>Working Humidity</i>	10 ÷ 90% RH non-condensing
<i>Storage Temperature and Humidity</i>	-20°C ÷ 85°C, 5 ÷ 90% RH non-condensing

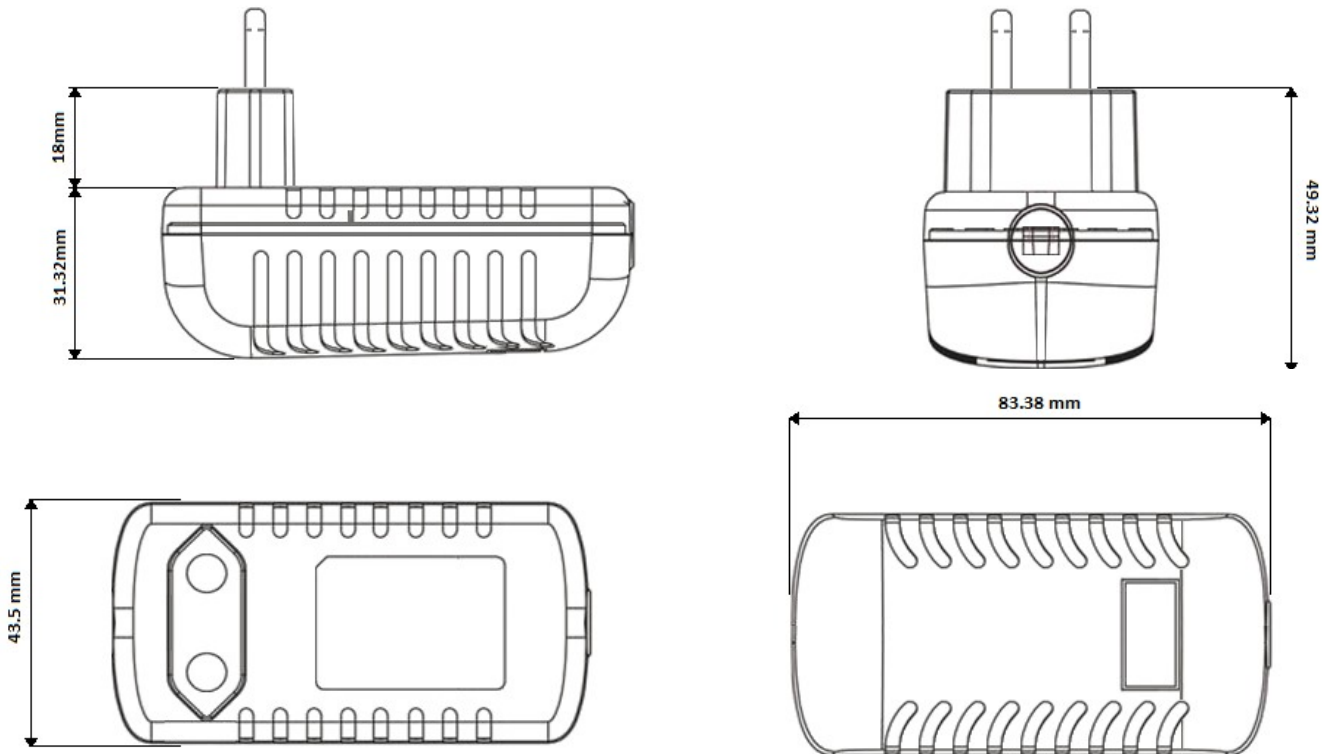
## SAFETY and EMC REGULATIONS

<i>Safety Standards</i>	Compliance to EN 62368
<i>Withstand Voltage</i>	IN/OUT: 3.6kVAC
<i>Isolation Resistance</i>	IN/OUT: 50MΩ/500VDC/25°C/70%
<i>EMC Emission</i>	Compliance to EN55032
<i>EMC Immunity</i>	Compliance to EN61000-4-2, -3, -4, -5
<i>Harmonic Current</i>	Compliance to EN61000-3-3; EN61000-3-2

## OTHERS

<i>DC wire and plug</i>	Wire: 24AWG*2C, length = 1200mm	Plug: 2.1/5.5, positive inside
<i>Dimensions</i>	67 x 38 x 74mm (L x W x H)	
<i>Net Weight</i>	81,1g	

## MECHANICAL SPECIFICATION

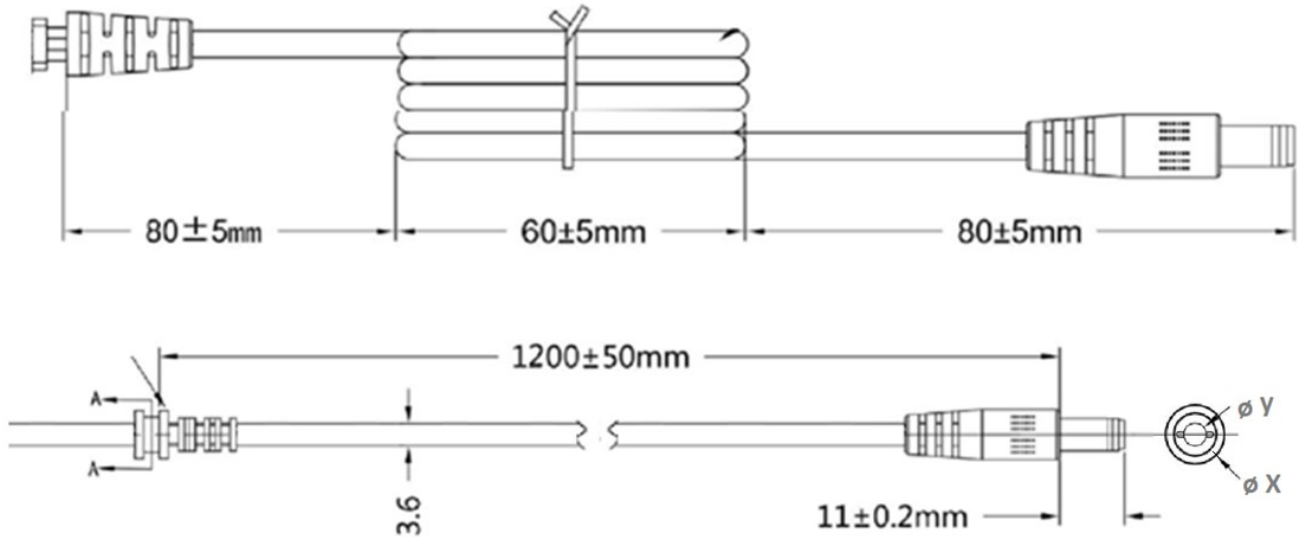


# CLW-1224-W2E-EB series

24V / 0.5A Wall mounted type AC/DC adaptor



## MECHANICAL SPECIFICATION of wire



*MODEL	DC PLUG	X [mm]	Y [mm]	Polarity
CLW- 1224-W2E-EB	5.5x2.1mm	5.5	2.1	center positive
CLW- 1224-W2E-EB25	5.5x2.5mm	5.5	2.5	center positive
CLW- 1224-W2E-EB13	3.5x1.3mm	3.5	1.3	center positive
CLW- 1224-W2E-EB40	4.0x1.7mm	4.0	1.7	center positive
CLW- 1224-W2E-EB48	4.8x1.7mm	4.8	1.7	center positive
CLW- 1224-W2E-EB-CN	5.5x2.1mm	5.5	2.1	center negative
CLW- 1224-W2E-EB25-CN	5.5x2.5mm	5.5	2.5	center negative
CLW- 1224-W2E-EB13-CN	3.5x1.3mm	3.5	1.3	center negative
CLW- 1224-W2E-EB40-CN	4.0x1.7mm	4.0	1.7	center negative
CLW- 1224-W2E-EB48-CN	4.8x1.7mm	4.8	1.7	center negative

1. All parameters NOT specially mentioned are measured at 230VAC input, rated load and 25°C of ambient temperature.
2. Ripple & noise are measured at 20MHz of bandwidth by using a 12" twisted pair-wire terminated with a 0.1µF i 47µF parallel capacitor.
3. Tolerance includes set up tolerance, line regulation and load regulation.
4. Setup and rise time is measured from 0 to 90% rated output voltage.
5. Power supply is considered as component not indented to apply by end-user. Power supply meets safety and EMC standards however the final equipment with power supply must be re-quality to comply with EMC Directives.

## X-ON Electronics

Largest Supplier of Electrical and Electronic Components

*Click to view similar products for [Cellevia](#) manufacturer:*

Other Similar products are found below :

[CLW-0909-W2E-EB-L](#) [CLD-3612-T2](#) [CL-SM40P](#) [CLD-8012-T3](#) [AC/DC-CL-DT12/3](#) [CLD-9012-T2-E25](#) [CLW-1505-W2E](#) [CLD-9012-T2-EA](#) [CLW-1809-W2E-ER25](#) [CLW-1309-W2E-EB25](#) [CLD-3612-T2-E25](#) [CLW-3612-W2E-EB25](#) [CLW-1212-W2E-EB-L](#) [CLW-1212-W2E-EB25](#) [CLD-6012-INT-EB25](#) [CLW-1505-W2E-EB-L](#) [CLD-2412-T2-E25](#) [CL-SM50M](#) [CLW-0909-W2E-EB25](#) [CL8.4VDC-1.2A](#) [CLD-2412-INT-EB25](#) [CLD-4012-T2-E25](#) [CLW-1505-W2E-ER-USB](#) [CLD-10012-T2-E](#) [CLD-1212-INT-EB25](#) [CLW-1005-W2E-EB25](#) [CLW-2005-W2E-EB-L](#) [CLW-0612-W2E-EB-L](#) [CLW-2424-W2E-ER-P](#) [CL12.6VDC-1.5A](#) [CLW-1309-W2E-EB-L](#) [CLW-3624-W2E-EB](#) [CLW-1812-W2E-ER](#) [CLD-3612-INT-EB25](#) [CL-R6/2X5-1500B](#) [CLW-1505-W2E-EB25](#) [CLW-1505-W2E-ER25](#) [CL-R6/2X4-1500B](#) [CL-R6/5S1P-1500B](#) [CLD-7012-T2-E25](#) [CLW-1005-W2E-EB-L](#) [CLD-6524-T3-ER25](#) [CLD-10012-T2-E25](#) [CL-R6/2X6-1500P](#) [CLW-1812-W2E-ER-WH](#) [CLW-0909-W2E-EB](#) [CLW-3612-W2E-EB-L](#) [CLW-1512-W2E-ER-WH](#) [CLW-1809-W2E-ER-CN](#) [CLW-2424-W2E-EB-L](#)