



# CLW-1505-W2E-EBC

15V / 3A Wall mounted type AC/DC adaptor



## ■ Features:

- Universal AC input / Full range
- Wall mounted type, Isolation class II design
  - ErP step II / CEC level VI compliance
  - No load power consumption  $P < 0.075W$
- Protections: Overload / Short circuit / Over Temperature



## ELECTRICAL SPECIFICATION

MODEL	CLW-1505-W2E-EBC
-------	------------------

## OUTPUT

Rated Voltage	5V
Rated Current	3A
Current Range	0 ÷ 3A
Rated Power	15W
Line Regulation	± 2%
Load Regulation	± 5%
Tolerance [3]	± 8%
Ripple & Noise (max.) [2]	120mV <sub>P-P</sub>
Setup, Rise Time [4]	1000ms, 20ms / 230VAC at full load
Hold up Time (typ.)	10ms / 230VAC at full load

## INPUT

Voltage Range	90 ÷ 264VAC
Frequency Range	47 ÷ 63Hz
Efficiency (typ.)	82.11%
AC Current (typ.)	0.34A / 115VAC, 0.18A / 230VAC
No load Power Consumption (max.)	0.075W

## PROTECTIONS

Overload	Range: 140-180% Type: fold forward mode(current rises, voltage drops) to 3V next hiccup mode, auto-recovery.
Short Circuit	Type: hiccup mode, auto-recovery.
Over Temperature	140°C±10°C(detect on main control IC) Type: shut off output voltage, auto-recovery.



# CLW-1505-W2E-EBC

15V / 3A Wall mounted type AC/DC adaptor

## WORKING ENVIRONMENT

<b>Working Temperature</b>	0°C ÷ 40°C
<b>Working Humidity</b>	10 ÷ 90% RH non-condensing
<b>Storage Temperature and Humidity</b>	-20°C ÷ 85°C, 5 ÷ 90% RH non-condensing

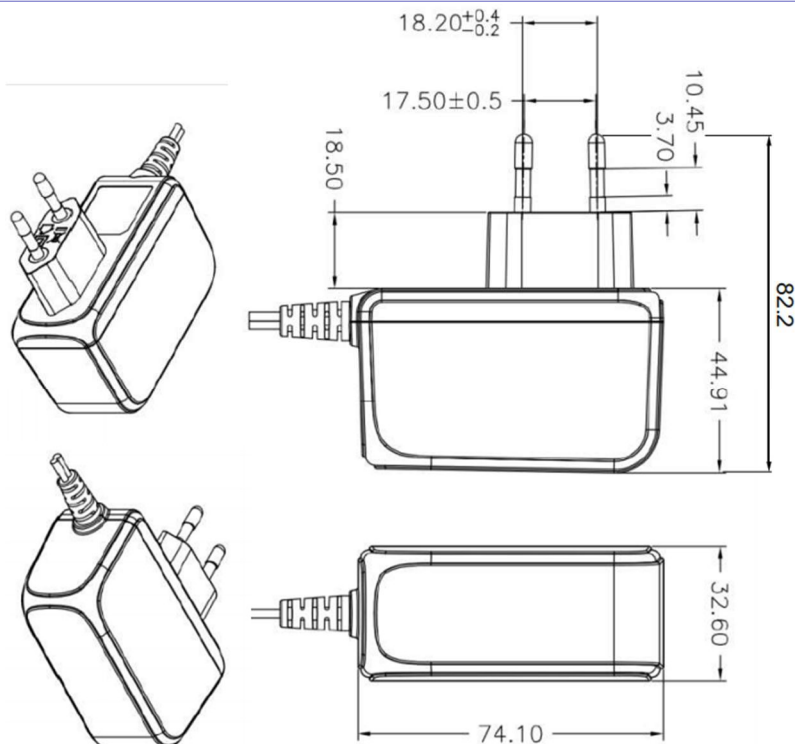
## SAFETY and EMC REGULATIONS

<b>Safety Standards</b>	Compliance to EN 62368
<b>Withstand Voltage</b>	IN/OUT: 3.6kVAC
<b>Isolation Resistance</b>	IN/OUT: 50MΩ/500VDC/25°C/70%
<b>EMC Emission</b>	Compliance to EN55032
<b>EMC Immunity</b>	Compliance to EN61000-4-2, -3, -4, -5
<b>Harmonic Current</b>	Compliance to EN61000-3-3; EN61000-3-2

## OTHERS

<b>DC wire and plug</b>	Wire: 18AWG*2C, length = 120mm ±50mm	Plug: USB-C
<b>Dimensions</b>	85 x 42.5 x 67mm (L x W x H)	
<b>Net Weight</b>	110g	

1. All parameters NOT specially mentioned are measured at 230VAC input, rated load and 25°C of ambient temperature.
2. Ripple & noise are measured at 20MHz of bandwidth by using a 12" twisted pair-wire terminated with a 0.1μF i 47μF parallel capacitor.
3. Tolerance includes set up tolerance, line regulation and load regulation.
4. Setup and rise time is measured from 0 to 90% rated output voltage.
5. Power supply is considered as component not indented to apply by end-user. Power supply meets safety and EMC standards however the final equipment with power supply must be re-quality to comply with EMC Directives.



## X-ON Electronics

Largest Supplier of Electrical and Electronic Components

*Click to view similar products for [Cellevia](#) manufacturer:*

Other Similar products are found below :

[ACCU-600/3NI-MH/CL](#) [AC/DC-CL-DT12/3](#) [CABLE-1/CL](#) [CABLE-2/CL](#) [CABLE-3/CL](#) [CL12.6VDC-1.5A](#) [CL12.6VDC-2.5A](#)  
[CL12.6VDC-4.76A](#) [CL14.4VDC-0.4A](#) [CL14.4VDC-0.7A](#) [CL14.4VDC-1.2A](#) [CL7.2VDC-0.4A](#) [CL7.2VDC-0.7A](#) [CL7.2VDC-1.2A](#)  
[CL8.4VDC-1.2A](#) [CL8.4VDC-2.5A](#) [CL8.4VDC-5A](#) [CLD-10012-T2-E](#) [CLD-10012-T2-E25](#) [CLD-12012-T2-EB](#) [CLD-1212-INT-EB](#) [CLD-](#)  
[1212-INT-EB25](#) [CLD-2412-INT-EB25](#) [CLD-2412-T2-E](#) [CLD-2412-T2-E25](#) [CLD-3612-INT-EB25](#) [CLD-3612-T2](#) [CLD-3612-T2-2555L](#)  
[CLD-3612-T2-E](#) [CLD-3612-T2-E25](#) [CLD-3612-T2-EB](#) [CLD-3612-T2-ER](#) [CLD-3612-T2-L](#) [CLD-4012-T2-E](#) [CLD-4012-T2-E25](#) [CLD-6012-](#)  
[INT-EB25](#) [CLD-6012-T2](#) [CLD-6012-T2-E](#) [CLD-6012-T2-E25](#) [CLD-6012-T2-EB](#) [CLD-6012-T2-ER](#) [CLD-6012-T2-ER25](#) [CLD-6012-T3-EA](#)  
[CLD-6524-L-T3-ER](#) [CLD-6524-T3-ER](#) [CLD-6524-T3-ER25](#) [CLD-7012-T2-E](#) [CLD-7012-T2-E25](#) [CLD-8012-T3](#) [CLD-9012-T2-E](#)