

# CLW-1809-W2E-ER series

9V / 2A Wall mounted type AC/DC adaptor



## ■ Features:

- Universal AC input / Full range
- ErP step II / CEC level VI compliance
- No load power consumption  $P < 0.075W$
- Protections: Overload / Short circuit / Over Voltage



## ELECTRICAL SPECIFICATION

MODEL	CLW-1809-W2E-ER
-------	-----------------

## OUTPUT

Rated Voltage	9V
Rated Current	2A
Current Range	0 ÷ 2A
Rated Power	18W
Line Regulation	± 1%
Load Regulation	± 5%
Tolerance [3]	± 8%
Ripple & Noise (max.) [2]	200mV <sub>p-p</sub>
Setup, Rise Time [4]	5000ms, 30ms / 230VAC at full load
Hold up Time (typ.)	4ms / 230VAC at full load

## INPUT

Voltage Range	90 ÷ 264VAC
Frequency Range	47 ÷ 63Hz
Efficiency (typ.)	81.66%
AC Current (typ.)	0.4A / 115VAC, 0.2A / 230VAC
No load Power Consumption (max.)	0.075W

## PROTECTIONS

Overload	Range: 105-200% Auto-recovery.
Short Circuit	Type: hiccup mode, auto-recovery.
Over Voltage	Type: auto-recovery.

# CLW-1809-W2E-ER series

9V / 2A Wall mounted type AC/DC adaptor



## WORKING ENVIRONMENT

<b>Working Temperature</b>	0°C ÷ 40°C
<b>Working Humidity</b>	10 ÷ 90% RH non-condensing
<b>Storage Temperature and Humidity</b>	-20° C ÷ 85° C, 5 ÷ 90% RH non-condensing

## SAFETY and EMC REGULATIONS

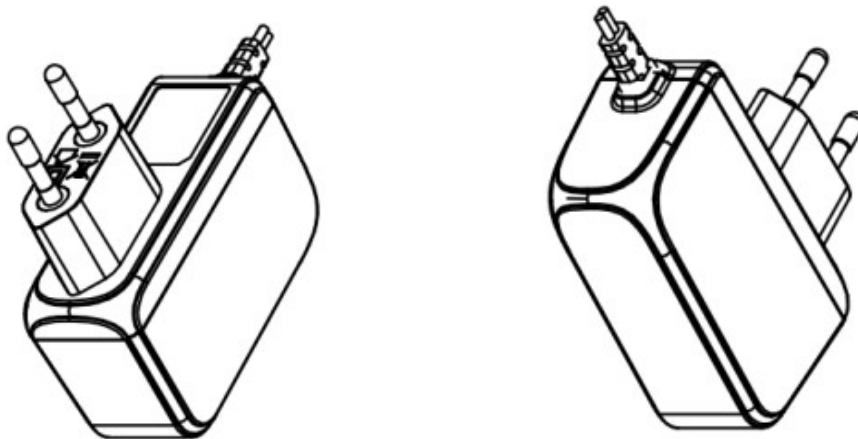
<b>Safety Standards</b>	Compliance to EN 62368
<b>Withstand Voltage</b>	IN/OUT: 3.6kVAC
<b>Isolation Resistance</b>	IN/OUT: 50M $\Omega$ /500VDC/25° C/70%
<b>EMC Emission</b>	Compliance to EN55032
<b>EMC Immunity</b>	Compliance to EN61000-4-2, -3, -4, -5
<b>Harmonic Current</b>	Compliance to EN61000-3-3; EN61000-3-2

## OTHERS

<b>DC wire and plug</b>	Wire: 22AWG*2C, length = 1500mm	Plug: 2.1/5.5, positive inside
<b>Dimensions</b>	78.7 x 27.6 x 69.1mm (L x W x H)	
<b>Net Weight</b>	90.1g	

1. All parameters NOT specially mentioned are measured at 230VAC input, rated load and 25° C of ambient temperature.
2. Ripple & noise are measured at 20MHz of bandwidth by using a 12" twisted pair-wire terminated with a 0.1 $\mu$ F i 47 $\mu$ F parallel capacitor.
3. Tolerance includes set up tolerance, line regulation and load regulation.
4. Setup and rise time is measured from 0 to 90% rated output voltage.
5. Power supply is considered as component not indented to apply by end-user. Power supply meets safety and EMC standards however the final equipment with power supply must be re-quality to comply with EMC Directives.

## MECHANICAL SPECIFICATION

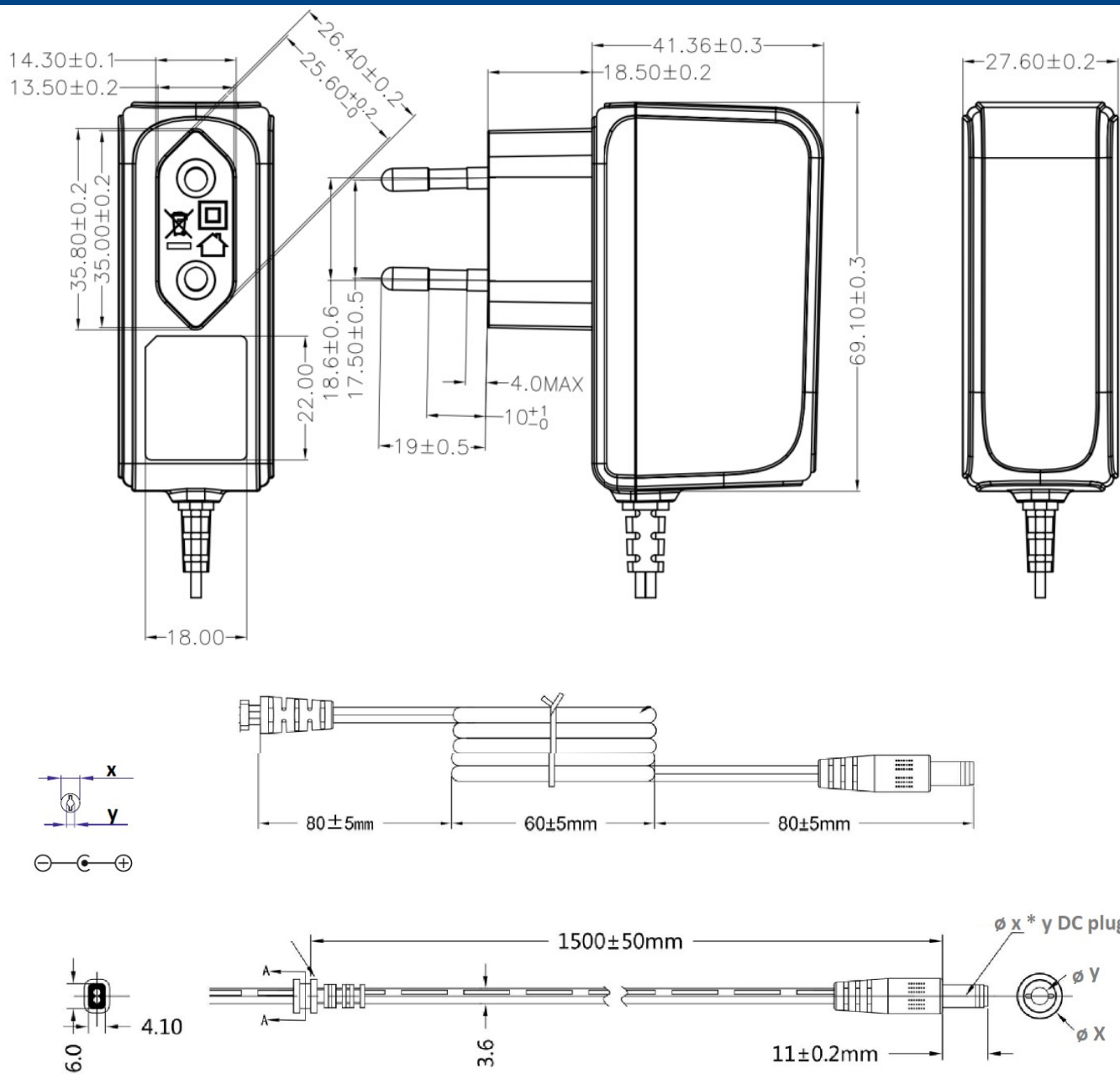


# CLW-1809-W2E-ER series

9V / 2A Wall mounted type AC/DC adaptor



## MECHANICAL SPECIFICATION



*MODEL	DC PLUG	X [mm]	Y [mm]	Polarity
CLW-1809-W2E-ER	5.5x2.1mm	5.5	2.1	center positive
CLW-1809-W2E-ER25	5.5x2.5mm	5.5	2.5	center positive
CLW-1809-W2E-ER13	3.5x1.3mm	3.5	1.3	center positive
CLW-1809-W2E-ER40	4.0x1.7mm	4.0	1.7	center positive
CLW-1809-W2E-ER48	4.8x1.7mm	4.8	1.7	center positive
CLW-1809-W2E-ER-CN	5.5x2.1mm	5.5	2.1	center negative
CLW-1809-W2E-ER25-CN	5.5x2.5mm	5.5	2.5	center negative
CLW-1809-W2E-ER13-CN	3.5x1.3mm	3.5	1.3	center negative
CLW-1809-W2E-ER40-CN	4.0x1.7mm	4.0	1.7	center negative
CLW-1809-W2E-ER48-CN	4.8x1.7mm	4.8	1.7	center negative

# CLW-1809-W2E-ER series

*9V / 2A Wall mounted type AC/DC adaptor*



## **X-ON Electronics**

Largest Supplier of Electrical and Electronic Components

*Click to view similar products for [Cellevia](#) manufacturer:*

Other Similar products are found below :

[ACCU-600/3NI-MH/CL](#) [AC/DC-CL-DT12/3](#) [CABLE-1/CL](#) [CABLE-2/CL](#) [CABLE-3/CL](#) [CL12.6VDC-1.5A](#) [CL12.6VDC-2.5A](#)  
[CL12.6VDC-4.76A](#) [CL14.4VDC-0.4A](#) [CL14.4VDC-0.7A](#) [CL14.4VDC-1.2A](#) [CL7.2VDC-0.4A](#) [CL7.2VDC-0.7A](#) [CL7.2VDC-1.2A](#)  
[CL8.4VDC-1.2A](#) [CL8.4VDC-2.5A](#) [CL8.4VDC-5A](#) [CLD-10012-T2-E](#) [CLD-10012-T2-E25](#) [CLD-12012-T2-EB](#) [CLD-1212-INT-EB](#) [CLD-](#)  
[1212-INT-EB25](#) [CLD-2412-INT-EB25](#) [CLD-2412-T2-E](#) [CLD-2412-T2-E25](#) [CLD-3612-INT-EB25](#) [CLD-3612-T2](#) [CLD-3612-T2-2555L](#)  
[CLD-3612-T2-E](#) [CLD-3612-T2-E25](#) [CLD-3612-T2-EB](#) [CLD-3612-T2-ER](#) [CLD-3612-T2-L](#) [CLD-4012-T2-E](#) [CLD-4012-T2-E25](#) [CLD-6012-](#)  
[INT-EB25](#) [CLD-6012-T2](#) [CLD-6012-T2-E](#) [CLD-6012-T2-E25](#) [CLD-6012-T2-EB](#) [CLD-6012-T2-ER](#) [CLD-6012-T2-ER25](#) [CLD-6012-T3-EA](#)  
[CLD-6524-L-T3-ER](#) [CLD-6524-T3-ER](#) [CLD-6524-T3-ER25](#) [CLD-7012-T2-E](#) [CLD-7012-T2-E25](#) [CLD-8012-T3](#) [CLD-9012-T2-E](#)