



# CLW-2424-W2E-EB25

24V / 1A Wall mounted type AC/DC adaptor



## ■ Features:

- Universal AC input / Full range
- Wall mounted type, Isolation class II design
- ErP step II / CEC level VI compliance
- No load power consumption  $P < 0.075W$
- Protections: Overload / Short circuit / Over Temperature



## ELECTRICAL SPECIFICATION

MODEL	CLW-2424-W2E-EB25
-------	-------------------

## OUTPUT

Rated Voltage	24V
Rated Current	1A
Current Range	0 ÷ 1A
Rated Power	24W
Line Regulation	± 2%
Load Regulation	± 5%
Tolerance [3]	± 8%
Ripple & Noise (max.) [2]	300mV <sub>P-P</sub>
Setup, Rise Time [4]	1000ms, 20ms / 230VAC at full load
Hold up Time (typ.)	10ms / 230VAC at full load

## INPUT

Voltage Range	90 ÷ 264VAC
Frequency Range	47 ÷ 63Hz
Efficiency (typ.)	86.39%
AC Current (typ.)	0.15A / 115VAC, 0.25A / 230VAC
No load Power Consumption (max.)	0.075W

## PROTECTIONS

Overload	Range: 140-180% Type: fold forward mode(current rises, voltage drops) to 3V next hiccup mode, auto-recovery.
Short Circuit	Type: hiccup mode, auto-recovery.
Over Temperature	140°C±10°C(detect on main control IC) Type: shut off output voltage, auto-recovery.



# CLW-2424-W2E-EB25

24V / 1A Wall mounted type AC/DC adaptor

## WORKING ENVIRONMENT

<b>Working Temperature</b>	0°C ÷ 40°C
<b>Working Humidity</b>	10 ÷ 90% RH non-condensing
<b>Storage Temperature and Humidity</b>	-20°C ÷ 85°C, 5 ÷ 90% RH non-condensing

## SAFETY and EMC REGULATIONS

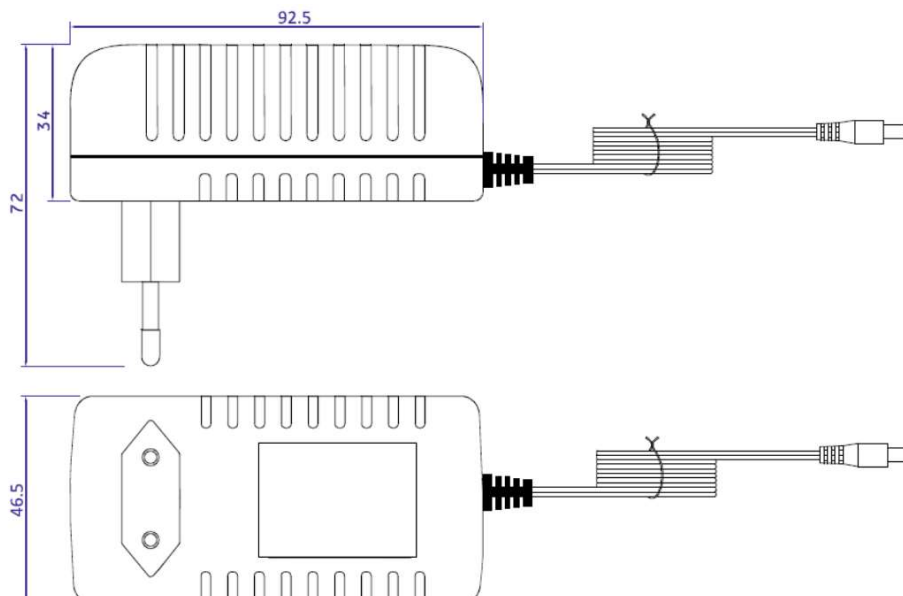
<b>Safety Standards</b>	Compliance to EN 62368
<b>Withstand Voltage</b>	IN/OUT: 3.6kVAC
<b>Isolation Resistance</b>	IN/OUT: 50MΩ/500VDC/25°C/70%
<b>EMC Emission</b>	Compliance to EN55032
<b>EMC Immunity</b>	Compliance to EN61000-4-2, -3, -4, -5
<b>Harmonic Current</b>	Compliance to EN61000-3-3; EN61000-3-2

## OTHERS

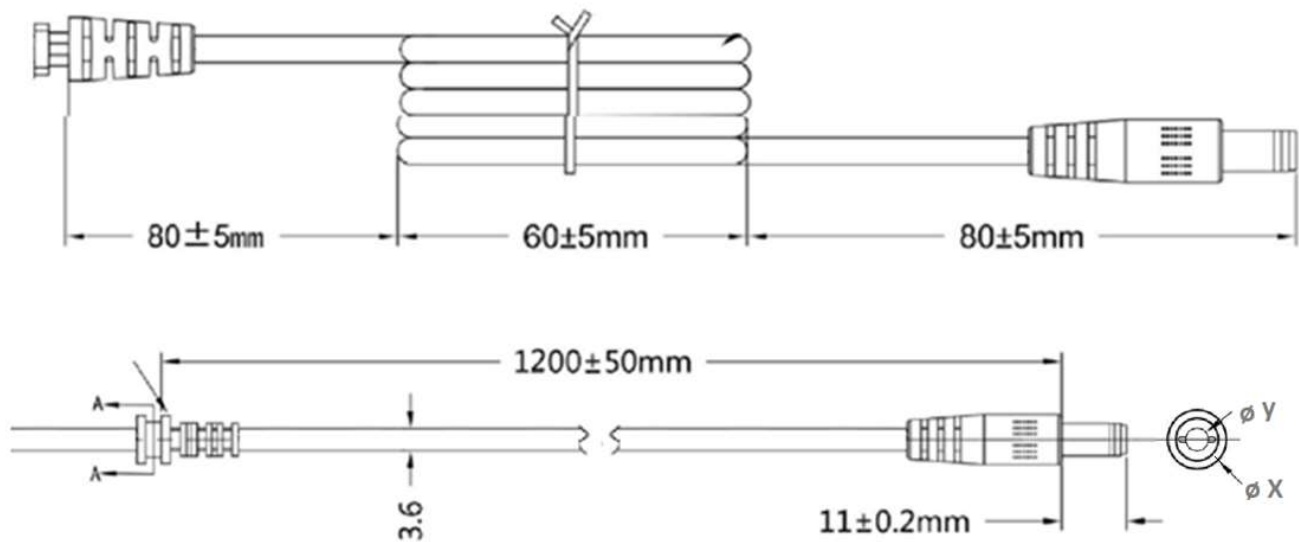
<b>DC wire and plug</b>	Wire: 22AWG*2C, length = 1200mm ±50mm	Plug: 2.5/5.5, positive inside
<b>Dimensions</b>	92,5 x 46.5 x 72mm (L x W x H)	
<b>Net Weight</b>	110g	

1. All parameters NOT specially mentioned are measured at 230VAC input, rated load and 25°C of ambient temperature.
2. Ripple & noise are measured at 20MHz of bandwidth by using a 12" twisted pair-wire terminated with a 0.1μF i 47μF parallel capacitor.
3. Tolerance includes set up tolerance, line regulation and load regulation.
4. Setup and rise time is measured from 0 to 90% rated output voltage.
5. Power supply is considered as component not indented to apply by end-user. Power supply meets safety and EMC standards however the final equipment with power supply must be re-quality to comply with EMC Directives.

## MECHANICAL SPECIFICATION



## MECHANICAL SPECIFICATION of wire



*MODEL	DC PLUG	X [mm]	Y [mm]	Polarity
CLW-2424-W2E-EB	5.5x2.1mm	5.5	2.1	center positive
<b>CLW-2424-W2E-EB25</b>	<b>5.5x2.5mm</b>	<b>5.5</b>	<b>2.5</b>	<b>center positive</b>
CLW-2424-W2E-EB13	3.5x1.3mm	3.5	1.3	center positive
CLW-2424-W2E-EB40	4.0x1.7mm	4.0	1.7	center positive
CLW-2424-W2E-EB48	4.8x1.7mm	4.8	1.7	center positive
CLW-2424-W2E-EB-CN	5.5x2.1mm	5.5	2.1	center negative
CLW-2424-W2E-EB25-CN	5.5x2.5mm	5.5	2.5	center negative
CLW-2424-W2E-EB13-CN	3.5x1.3mm	3.5	1.3	center negative
CLW-2424-W2E-EB40-CN	4.0x1.7mm	4.0	1.7	center negative
CLW-2424-W2E-EB48-CN	4.8x1.7mm	4.8	1.7	center negative

## **X-ON Electronics**

Largest Supplier of Electrical and Electronic Components

*Click to view similar products for [Cellevia](#) manufacturer:*

Other Similar products are found below :

[ACCU-600/3NI-MH/CL](#) [AC/DC-CL-DT12/3](#) [CABLE-1/CL](#) [CABLE-2/CL](#) [CABLE-3/CL](#) [CL12.6VDC-1.5A](#) [CL12.6VDC-2.5A](#)  
[CL12.6VDC-4.76A](#) [CL14.4VDC-0.4A](#) [CL14.4VDC-0.7A](#) [CL14.4VDC-1.2A](#) [CL7.2VDC-0.4A](#) [CL7.2VDC-0.7A](#) [CL7.2VDC-1.2A](#)  
[CL8.4VDC-1.2A](#) [CL8.4VDC-2.5A](#) [CL8.4VDC-5A](#) [CLD-10012-T2-E](#) [CLD-10012-T2-E25](#) [CLD-12012-T2-EB](#) [CLD-1212-INT-EB](#) [CLD-](#)  
[1212-INT-EB25](#) [CLD-2412-INT-EB25](#) [CLD-2412-T2-E](#) [CLD-2412-T2-E25](#) [CLD-3612-INT-EB25](#) [CLD-3612-T2](#) [CLD-3612-T2-2555L](#)  
[CLD-3612-T2-E](#) [CLD-3612-T2-E25](#) [CLD-3612-T2-EB](#) [CLD-3612-T2-ER](#) [CLD-3612-T2-L](#) [CLD-4012-T2-E](#) [CLD-4012-T2-E25](#) [CLD-6012-](#)  
[INT-EB25](#) [CLD-6012-T2](#) [CLD-6012-T2-E](#) [CLD-6012-T2-E25](#) [CLD-6012-T2-EB](#) [CLD-6012-T2-ER](#) [CLD-6012-T2-ER25](#) [CLD-6012-T3-EA](#)  
[CLD-6524-L-T3-ER](#) [CLD-6524-T3-ER](#) [CLD-6524-T3-ER25](#) [CLD-7012-T2-E](#) [CLD-7012-T2-E25](#) [CLD-8012-T3](#) [CLD-9012-T2-E](#)