

Axial Fixed Inductor - CKL

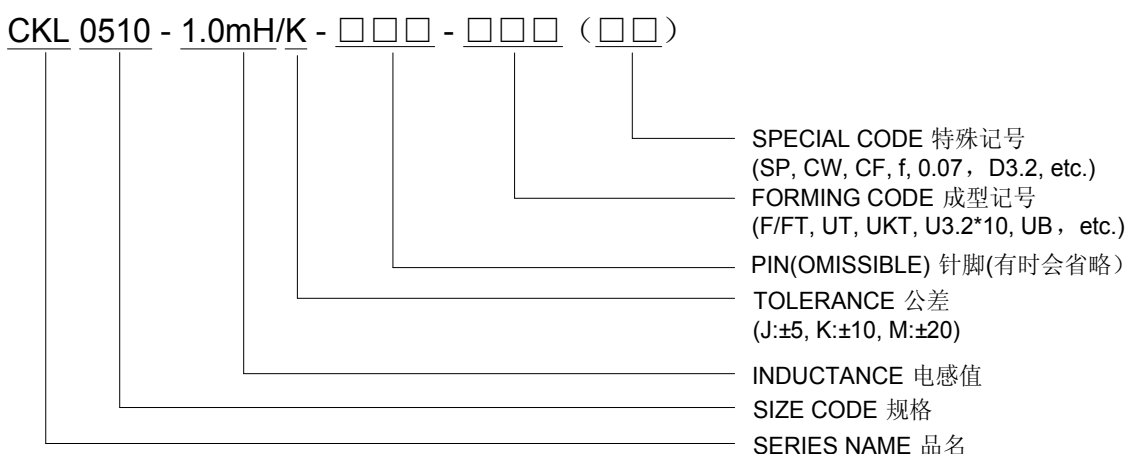
● Features 特性

1. Design to be compact, small and light-weight, wide range of inductance. 感量范围宽，尺寸小，重量轻。
2. Contribute to be high Q and self-resonant frequencies, tapping type that is convenient for automatic insertion, coating epoxy resin that ensure the humidity resistance to be long life. 高Q和SRF值，卷装适用于自动插件，使用寿命长。

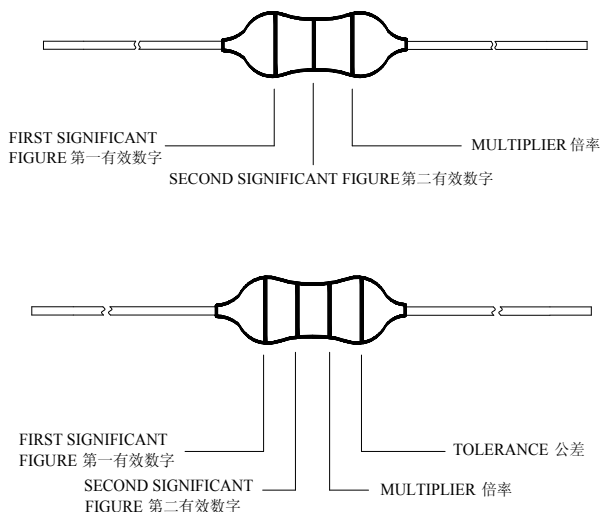
● Applications 用途

For TV, radios and radio transceivers, telephones. 用于TV、音响，收音机，电话机。
Others various electronic products. 用其他各种电子产品上。

● Part Numbering System 品名系统



● Color Coding 颜色编码



The nominal inductance is marked. Color code listed in table below. 标称电感值用色码编码表示如下表所示。

| Color 颜色 | Nominal Inductance(uH)标称电感值(微亨) | | | |
|-------------|---------------------------------|------------|------------|-----------|
| | 1st Figure | 2nd Figure | Multiplier | Tolerance |
| Black 黑 | 0 | | ×1 | ±20% |
| Brown 棕 | 1 | | ×10 | — |
| Red 红 | 2 | | ×100 | — |
| Orange 橙 | 3 | | ×1000 | — |
| Yellow 黄 | 4 | | — | — |
| Green 绿 | 5 | | — | — |
| Blue 蓝 | 6 | | — | — |
| Violet 紫 | 7 | | — | — |
| Gray 灰 | 8 | | — | — |
| White 白 | 9 | | — | — |
| Gold 金 | — | | ×0.1 | ±5% |
| Silver 银 | — | | ×0.01 | ±10% |



● Appearance Dimensions 外观尺寸

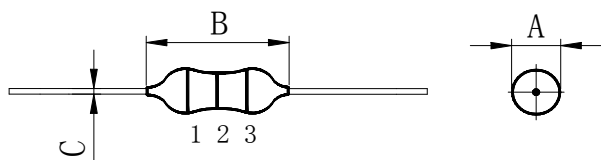


Figure 1

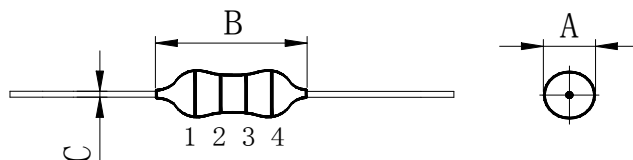


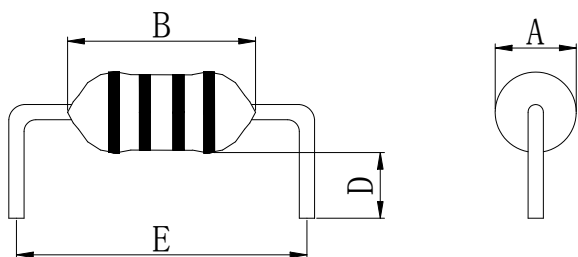
Figure 2

| Type | Dimension(mm) | | | Figure |
|---------|---------------|-----------|----------|--------|
| | A(Max) | B(Max) | C*(±0.1) | |
| CKL0204 | Ø2.8 | 4.8 | Ø0.45 | 1 |
| CKL0307 | Ø3.0/Ø3.2 | 7.0 | Ø0.50 | 2 |
| CKL0410 | Ø4.0 | 10.5 | Ø0.60 | 2 |
| CKL0412 | Ø4.5/5.0 | 12.7 | Ø0.65 | 2 |
| CKL0510 | Ø5.0 | 11.0 | Ø0.60 | 2 |
| CKL0512 | Ø5.0 | 12.0 | Ø0.60 | 2 |
| CKL0514 | Ø5.0/5.5 | 14.0/15.0 | Ø0.65 | 2 |

C*It depends on the actual situation.视情况定。

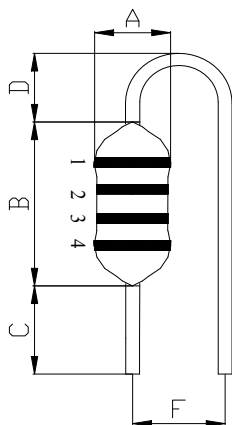
● Appearance Dimensions of Forming 成型外观尺寸

1.U-forming(Horizontal) U形成型(卧式)(UX*X)



| Type | Dimension(mm) | | | |
|---------|---------------|-----------|--------|---------|
| | A(Max) | B(Max) | D(Min) | E |
| CKL0204 | Ø2.8 | 4.8 | 2.4 | 7.5~12 |
| CKL0307 | Ø3.0/Ø3.2 | 7.0 | 2.4 | 10~15 |
| CKL0410 | Ø4.0 | 10.5 | 2.4 | 12.5~20 |
| CKL0412 | Ø4.5/5.0 | 12.7 | 2.4 | 15~20 |
| CKL0510 | Ø5.0 | 11.0 | 2.4 | 12.5~20 |
| CKL0512 | Ø5.0 | 12.0 | 2.4 | 15~20 |
| CKL0514 | Ø5.0/5.5 | 14.0/15.0 | 2.4 | 17.5~25 |

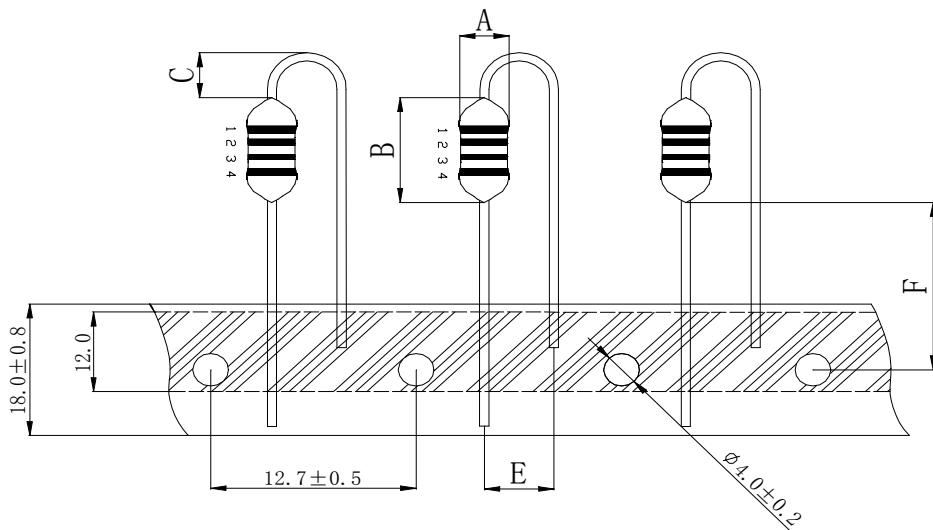
2.U-forming(Vertical) U形成型(立式)(UB)



| Type | Dimension(mm) | | | | |
|---------|---------------|-----------|---------|--------|-------------|
| | A(Max) | B(Max) | C | D(Max) | F |
| CKL0204 | Ø2.8 | 4.8 | 3.0~6.0 | 3.0 | 2.5 |
| CKL0307 | Ø3.0/Ø3.2 | 7.0 | 3.0~6.0 | 3.0 | 2.5 |
| CKL0410 | Ø4.0 | 10.5 | 3.0~6.0 | 3.0 | 2.5/3.5/5.0 |
| CKL0412 | Ø4.5/5.0 | 12.7 | 3.0~5.0 | 3.0 | 5.0 |
| CKL0510 | Ø5.0 | 11.0 | 3.0~6.0 | 3.0 | 5.0 |
| CKL0512 | Ø5.0 | 12.0 | 3.0~5.0 | 3.0 | 5.0 |
| CKL0514 | Ø5.0/5.5 | 14.0/15.0 | 2.5~4.0 | 3.0 | 5.0 |

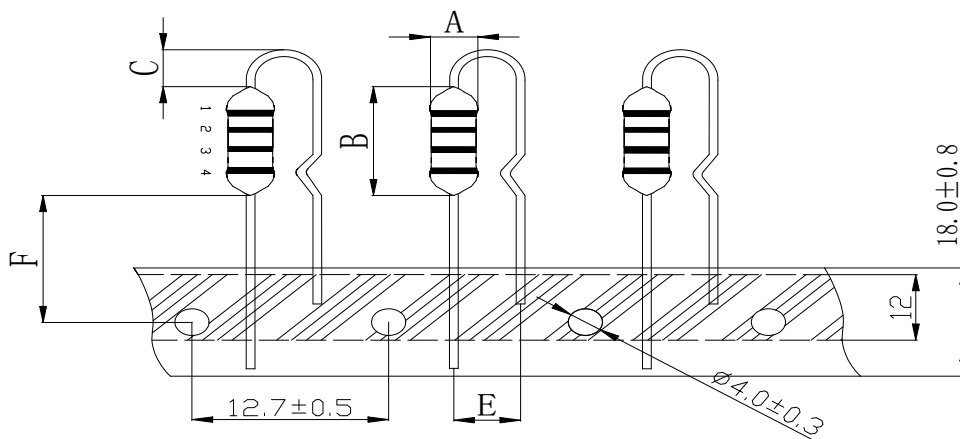


3.U-forming and Taping U成型编带(UT)



| Type | Dimension(mm) | | | | |
|---------|---------------|--------|--------|-------------|---------|
| | A(Max) | B(Max) | C(Max) | E | F(±2.0) |
| CKL0204 | Ø2.8 | 4.8 | 3.0 | 2.5 | 22.0 |
| CKL0307 | Ø3.0/Ø3.2 | 7.0 | 3.0 | 2.5/5.0 | 20.0 |
| CKL0410 | Ø4.0 | 10.5 | 3.0 | 2.5/3.5/5.0 | 18.5 |
| CKL0412 | Ø4.5/5.0 | 12.7 | 3.0 | 5.0 | 17.5 |
| CKL0510 | Ø5.0 | 11.0 | 3.0 | 5.0 | 18.5 |
| CKL0512 | Ø5.0 | 12.0 | 3.0 | 5.0 | 17.5 |

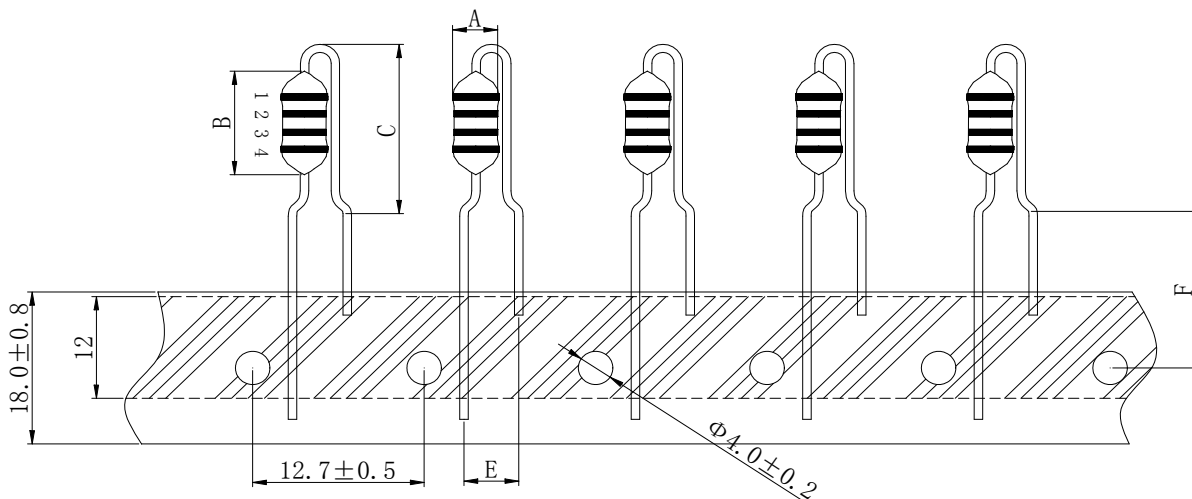
4.UK-forming and Taping UK成型编带(UKT)



| Type | Dimension(mm) | | | | |
|---------|---------------|--------|--------|-----|---------|
| | A(Max) | B(Max) | C(Max) | E | F(±2.0) |
| CKL0307 | Ø3.0/Ø3.2 | 7.0 | 3.0 | 5.0 | 20.0 |
| CKL0410 | Ø4.0 | 10.5 | 3.0 | 5.0 | 18.0 |
| CKL0412 | Ø4.5/5.0 | 12.7 | 3.0 | 5.0 | 17.0 |
| CKL0510 | Ø5.0 | 11.0 | 3.0 | 5.0 | 18.0 |
| CKL0512 | Ø5.0 | 12.0 | 3.0 | 5.0 | 17.0 |



5.R-forming and Taping R成型编带(F/FT)



| Type | Dimension(mm) | | | | |
|---------|---------------|--------|--------|-----|----------|
| | A(Max) | B(Max) | C(Max) | E | F |
| CKL0307 | Ø3.0/Ø3.2 | 7.0 | 12.5 | 5.0 | 17.5±1.5 |
| CKL0410 | Ø4.0 | 10.5 | 13.5 | 5.0 | 17.5±1.5 |
| CKL0412 | Ø4.5/5.0 | 12.7 | 16.5 | 5.0 | 15.0Min |
| CKL0510 | Ø5.0 | 11.0 | 14.5 | 5.0 | 17.5±1.5 |
| CKL0512 | Ø5.0 | 12.0 | 16.0 | 5.0 | 15.0Min |

● Electrical Characteristics 电气特性

- (1) Isat: DC current at which the inductance drops approximate 10% from its value without current;
- (2) Irms: DC current that causes the temperature rise ($\Delta T \leq 40^{\circ}\text{C}$) from 25°C ambient.
- (3) Rated Current: It is either the inductance is 10% lower than its initial value in DC saturation characteristics or temperature raise becomes $\Delta T=40^{\circ}\text{C}$ ($T_a=25^{\circ}\text{C}$), whichever is lower.
- (4) Operating Temperature Ranges: $-25\sim 85^{\circ}\text{C}$.
- (5) Dielectric with standing voltage: 250V AC r.m.s.

● Test Equipments 测试设备

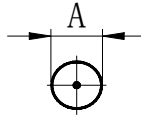
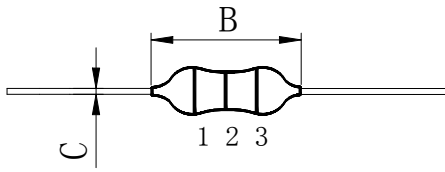
- (1) Inductance(L): HP 4284A/HM 9481/CD 1063/HP 4291A;
- (2) Q: HP 4284A/HM 9481;
- (3) DCR: CH 502A/CH 502BC;
- (4) SRF: HM 9461;
- (5) Rated Current/Isat./Irms.: HP 4284+HP 4284A/CD 1068+CD 1320.

Test Condition: at 25°C , 75%H.



● Electrical Parameters 电气参数

■ CKL0204 Series



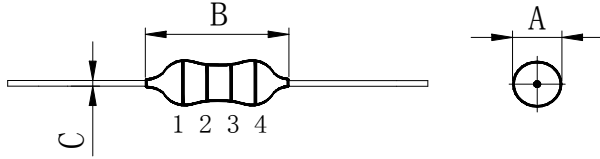
| A | B | C |
|----------|---------|-----------|
| Ø2.8 Max | 4.8 Max | Ø0.45±0.1 |

| PART NUMBER 品名 | Inductance (uH) 电感 | Q (Min) Q值 | Frequency (MHz) 测试频率 | DCR (Max) (Ω) 直流电阻 | SRF (Min) (MHz) 自谐频率 | Rated Current (Max) (mA) 额定电流 |
|-------------------|-----------------------|---------------|----------------------------|--------------------------|----------------------------|-------------------------------------|
| CKL0204-0.22uH/M | 0.22±20% | 35 | 25.2 | 0.4 | 150 | 400 |
| CKL0204-0.27uH/M | 0.27±20% | 35 | 25.2 | 0.43 | 150 | 380 |
| CKL0204-0.33uH/M | 0.33±20% | 35 | 25.2 | 0.48 | 150 | 370 |
| CKL0204-0.39uH/M | 0.39±20% | 35 | 25.2 | 0.51 | 150 | 350 |
| CKL0204-0.47uH | 0.47±10%/±20% | 35 | 25.2 | 0.56 | 150 | 330 |
| CKL0204-0.56uH | 0.56±10%/±20% | 35 | 25.2 | 0.61 | 150 | 320 |
| CKL0204-0.68uH | 0.68±10%/±20% | 35 | 25.2 | 0.67 | 150 | 310 |
| CKL0204-0.82uH | 0.82±10%/±20% | 35 | 25.2 | 0.74 | 150 | 290 |
| CKL0204-1.0uH/K | 1.0±10% | 35 | 25.2 | 0.8 | 150 | 270 |
| CKL0204-1.2uH/K | 1.2±10% | 40 | 7.96 | 0.9 | 110 | 260 |
| CKL0204-1.5uH/K | 1.5±10% | 40 | 7.96 | 1 | 80 | 250 |
| CKL0204-1.8uH/K | 1.8±10% | 40 | 7.96 | 1.1 | 60 | 240 |
| CKL0204-2.2uH/K | 2.2±10% | 40 | 7.96 | 1.2 | 45 | 230 |
| CKL0204-2.7uH/K | 2.7±10% | 40 | 7.96 | 1.3 | 40 | 220 |
| CKL0204-3.3uH/K | 3.3±10% | 40 | 7.96 | 1.4 | 38 | 210 |
| CKL0204-3.9uH/K | 3.9±10% | 40 | 7.96 | 1.5 | 36 | 200 |
| CKL0204-4.7uH/K | 4.7±10% | 40 | 7.96 | 1.7 | 32 | 190 |
| CKL0204-5.6uH/K | 5.6±10% | 40 | 7.96 | 1.9 | 30 | 180 |
| CKL0204-6.8uH/K | 6.8±10% | 40 | 7.96 | 2 | 28 | 175 |
| CKL0204-8.2uH/K | 8.2±10% | 40 | 7.96 | 2.2 | 26 | 165 |
| CKL0204-10uH/K | 10±10% | 40 | 7.96 | 2.5 | 24 | 160 |
| CKL0204-12uH/K | 12±10% | 40 | 2.52 | 2.5 | 22 | 150 |
| CKL0204-15uH/K | 15±10% | 40 | 2.52 | 2.8 | 20 | 145 |
| CKL0204-18uH/K | 18±10% | 40 | 2.52 | 3.1 | 16.7 | 140 |
| CKL0204-22uH/K | 22±10% | 40 | 2.52 | 3.4 | 15 | 130 |
| CKL0204-27uH/K | 27±10% | 40 | 2.52 | 4.3 | 13 | 80 |
| CKL0204-33uH/K | 33±10% | 40 | 2.52 | 4.7 | 12 | 76 |
| CKL0204-39uH/K | 39±10% | 40 | 2.52 | 5.2 | 11 | 74 |
| CKL0204-47uH/K | 47±10% | 40 | 2.52 | 5.8 | 9 | 70 |
| CKL0204-56uH/K | 56±10% | 40 | 2.52 | 6.4 | 8 | 68 |
| CKL0204-68uH/K | 68±10% | 40 | 2.52 | 7.2 | 7 | 64 |
| CKL0204-82uH/K | 82±10% | 40 | 2.52 | 9.5 | 6.5 | 46 |
| CKL0204-100uH/K | 100±10% | 40 | 2.52 | 12 | 6 | 44 |
| CKL0204-120uH/K | 120±10% | 40 | 0.796 | 13 | 5.5 | 42 |
| CKL0204-150uH/K | 150±10% | 40 | 0.796 | 16 | 5 | 39 |
| CKL0204-180uH/K | 180±10% | 40 | 0.796 | 18 | 4.8 | 37 |
| CKL0204-220uH/K | 220±10% | 40 | 0.796 | 20 | 4.5 | 35 |
| CKL0204-270uH/K | 270±10% | 30 | 0.796 | 20 | 3.5 | 25 |
| CKL0204-330uH/K | 330±10% | 30 | 0.796 | 20 | 3 | 25 |

Special inquiries besides the above common used types can be met on your requirement.
超出以上规格的特殊要求也可满足。



■CKL0307 Series



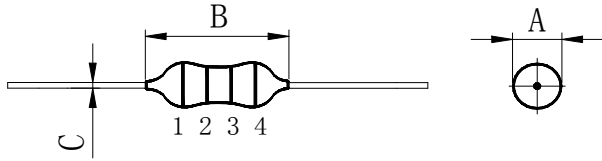
| A | B | C |
|--------------|---------|----------|
| Ø3.0/3.2 Max | 7.0 Max | Ø0.5±0.1 |

| PART NUMBER 品名 | Inductance (uH) 电感 | Q (Min) Q值 | Frequency (MHz) 测试频率 | DCR (Max) (Ω) 直流电阻 | SRF (Min) (MHz) 自谐频率 | Rated Current (Max) (mA) 额定电流 |
|-------------------|-----------------------|---------------|-------------------------|--------------------------|----------------------------|-------------------------------------|
| CKL0307-0.22uH/M | 0.22±20% | 40 | 25.2 | 0.08 | 150 | 740 |
| CKL0307-0.27uH/M | 0.27±20% | 40 | 25.2 | 0.085 | 150 | 740 |
| CKL0307-0.33uH/M | 0.33±20% | 40 | 25.2 | 0.095 | 150 | 740 |
| CKL0307-0.39uH/M | 0.39±20% | 40 | 25.2 | 0.1 | 150 | 740 |
| CKL0307-0.47uH | 0.47±10%/±20% | 40 | 25.2 | 0.11 | 150 | 740 |
| CKL0307-0.56uH | 0.56±10%/±20% | 40 | 25.2 | 0.12 | 150 | 740 |
| CKL0307-0.68uH | 0.68±10%/±20% | 40 | 25.2 | 0.13 | 150 | 740 |
| CKL0307-0.82uH | 0.82±10%/±20% | 40 | 25.2 | 0.14 | 150 | 740 |
| CKL0307-1.0uH/K | 1.0±10% | 40 | 25.2 | 0.15 | 150 | 740 |
| CKL0307-1.2uH/K | 1.2±10% | 40 | 7.96 | 0.18 | 150 | 740 |
| CKL0307-1.5uH/K | 1.5±10% | 40 | 7.96 | 0.2 | 150 | 700 |
| CKL0307-1.8uH/K | 1.8±10% | 50 | 7.96 | 0.23 | 125 | 655 |
| CKL0307-2.2uH/K | 2.2±10% | 50 | 7.96 | 0.27 | 110 | 630 |
| CKL0307-2.7uH/K | 2.7±10% | 50 | 7.96 | 0.28 | 95 | 595 |
| CKL0307-3.3uH/K | 3.3±10% | 50 | 7.96 | 0.3 | 70 | 575 |
| CKL0307-3.9uH/K | 3.9±10% | 50 | 7.96 | 0.32 | 65 | 555 |
| CKL0307-4.7uH/K | 4.7±10% | 50 | 7.96 | 0.35 | 36 | 530 |
| CKL0307-5.6uH/K | 5.6±10% | 50 | 7.96 | 0.4 | 32 | 500 |
| CKL0307-6.8uH/K | 6.8±10% | 50 | 7.96 | 0.48 | 28 | 470 |
| CKL0307-8.2uH/K | 8.2±10% | 50 | 7.96 | 0.56 | 23 | 425 |
| CKL0307-10uH/K | 10±10% | 50 | 7.96 | 0.75 | 18 | 370 |
| CKL0307-12uH/K | 12±10% | 50 | 2.52 | 0.8 | 17 | 350 |
| CKL0307-15uH/K | 15±10% | 50 | 2.52 | 0.93 | 16 | 335 |
| CKL0307-18uH/K | 18±10% | 50 | 2.52 | 1 | 15 | 315 |
| CKL0307-22uH/K | 22±10% | 50 | 2.52 | 1.2 | 13 | 285 |
| CKL0307-27uH/K | 27±10% | 50 | 2.52 | 1.8 | 11 | 270 |
| CKL0307-33uH/K | 33±10% | 50 | 2.52 | 2.1 | 10 | 255 |
| CKL0307-39uH/K | 39±10% | 50 | 2.52 | 2.3 | 9.5 | 240 |
| CKL0307-47uH/K | 47±10% | 50 | 2.52 | 2.6 | 8.5 | 205 |
| CKL0307-56uH/K | 56±10% | 50 | 2.52 | 2.9 | 7.5 | 195 |
| CKL0307-68uH/K | 68±10% | 50 | 2.52 | 3.3 | 6.5 | 185 |
| CKL0307-82uH/K | 82±10% | 50 | 2.52 | 3.8 | 6 | 175 |
| CKL0307-100uH/K | 100±10% | 50 | 2.52 | 4.2 | 5.5 | 165 |
| CKL0307-120uH/K | 120±10% | 60 | 0.796 | 4.7 | 5.4 | 160 |

Special inquiries besides the above common used types can be met on your requirement.
超出以上规格的特殊要求也可满足。



■CKL0307 Series



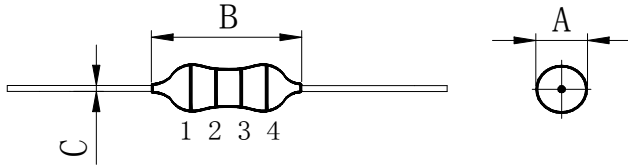
| A | B | C |
|--------------|---------|----------|
| Ø3.0/3.2 Max | 7.0 Max | Ø0.5±0.1 |

| PART NUMBER 品名 | Inductance (uH) 电感 | Q (Min) Q值 | Frequency (MHz) 测试频率 | DCR (Max) (Ω) 直流电阻 | SRF (Min) (MHz) 自谐频率 | Rated Current (Max) (mA) 额定电流 |
|-------------------|-----------------------|---------------|-------------------------|-----------------------|-------------------------|----------------------------------|
| CKL0307-150uH/K | 150±10% | 60 | 0.796 | 5.4 | 4.7 | 150 |
| CKL0307-180uH/K | 180±10% | 60 | 0.796 | 6 | 4.3 | 140 |
| CKL0307-220uH/K | 220±10% | 60 | 0.796 | 7 | 4 | 130 |
| CKL0307-270uH/K | 270±10% | 60 | 0.796 | 7.7 | 3.7 | 120 |
| CKL0307-330uH/K | 330±10% | 60 | 0.796 | 11.1 | 3.4 | 100 |
| CKL0307-390uH/K | 390±10% | 60 | 0.796 | 12.6 | 2.8 | 95 |
| CKL0307-470uH/K | 470±10% | 60 | 0.796 | 14 | 2.5 | 90 |
| CKL0307-560uH/K | 560±10% | 60 | 0.796 | 15.5 | 2.3 | 85 |
| CKL0307-680uH/K | 680±10% | 60 | 0.796 | 25.3 | 2 | 75 |
| CKL0307-820uH/K | 820±10% | 60 | 0.796 | 27.5 | 1.5 | 65 |
| CKL0307-1.0mH/K | 1000±10% | 50 | 0.796 | 31.4 | 1.2 | 60 |
| CKL0307-1.2mH/K | 1200±10% | 50 | 0.252 | 37 | 0.9 | 50 |
| CKL0307-1.5mH/K | 1500±10% | 45 | 0.252 | 39 | 0.8 | 40 |

Special inquiries besides the above common used types can be met on your requirement.
超出以上规格的特殊要求也可满足。



■ CKL0410 Series



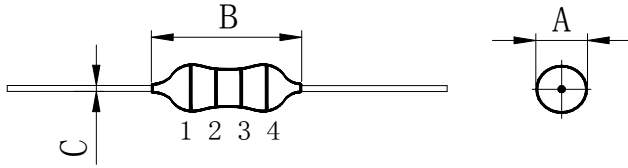
| A | B | C |
|----------|----------|----------|
| Ø4.0 Max | 10.5 Max | Ø0.6±0.1 |

| PART NUMBER 品名 | Inductance (uH) 电感 | Q (Min) Q值 | Frequency (MHz) 测试频率 | DCR (Max) (Ω) 直流电阻 | SRF (Min) (MHz) 自谐频率 | Rated Current (Max) (mA) 额定电流 |
|-------------------|-----------------------|---------------|----------------------------|--------------------------|----------------------------|-------------------------------------|
| CKL0410-0.27uH/M | 0.27±20% | 45 | 25.2 | 0.09 | 270 | 980 |
| CKL0410-0.33uH/M | 0.33±20% | 45 | 25.2 | 0.1 | 250 | 980 |
| CKL0410-0.39uH/M | 0.39±20% | 45 | 25.2 | 0.12 | 230 | 980 |
| CKL0410-0.47uH | 0.47±10%/±20% | 45 | 25.2 | 0.13 | 220 | 980 |
| CKL0410-0.56uH | 0.56±10%/±20% | 45 | 25.2 | 0.14 | 200 | 980 |
| CKL0410-0.68uH | 0.68±10%/±20% | 45 | 25.2 | 0.15 | 190 | 980 |
| CKL0410-0.82uH | 0.82±10%/±20% | 45 | 25.2 | 0.16 | 172 | 980 |
| CKL0410-1.0uH/K | 1.0±10% | 45 | 25.2 | 0.17 | 157 | 920 |
| CKL0410-1.2uH/K | 1.2±10% | 50 | 7.96 | 0.18 | 144 | 880 |
| CKL0410-1.5uH/K | 1.5±10% | 50 | 7.96 | 0.2 | 130 | 830 |
| CKL0410-1.8uH/K | 1.8±10% | 55 | 7.96 | 0.22 | 121 | 790 |
| CKL0410-2.2uH/K | 2.2±10% | 55 | 7.96 | 0.24 | 110 | 750 |
| CKL0410-2.7uH/K | 2.7±10% | 60 | 7.96 | 0.25 | 100 | 720 |
| CKL0410-3.3uH/K | 3.3±10% | 65 | 7.96 | 0.3 | 94 | 670 |
| CKL0410-3.9uH/K | 3.9±10% | 65 | 7.96 | 0.35 | 80 | 640 |
| CKL0410-4.7uH/K | 4.7±10% | 70 | 7.96 | 0.4 | 80 | 620 |
| CKL0410-5.6uH/K | 5.6±10% | 70 | 7.96 | 0.43 | 74 | 590 |
| CKL0410-6.8uH/K | 6.8±10% | 75 | 7.96 | 0.48 | 68 | 550 |
| CKL0410-8.2uH/K | 8.2±10% | 80 | 7.96 | 0.52 | 53 | 530 |
| CKL0410-10uH/K | 10±10% | 80 | 7.96 | 0.58 | 40 | 500 |
| CKL0410-12uH/K | 12±10% | 75 | 2.52 | 0.63 | 34 | 480 |
| CKL0410-15uH/K | 15±10% | 70 | 2.52 | 0.72 | 20 | 460 |
| CKL0410-18uH/K | 18±10% | 70 | 2.52 | 0.77 | 14 | 430 |
| CKL0410-22uH/K | 22±10% | 50 | 2.52 | 0.84 | 9.9 | 410 |
| CKL0410-27uH/K | 27±10% | 50 | 2.52 | 0.94 | 7.6 | 390 |
| CKL0410-33uH/K | 33±10% | 50 | 2.52 | 1.03 | 6.3 | 370 |
| CKL0410-39uH/K | 39±10% | 50 | 2.52 | 1.12 | 6.3 | 350 |
| CKL0410-47uH/K | 47±10% | 45 | 2.52 | 1.22 | 6.3 | 340 |
| CKL0410-56uH/K | 56±10% | 40 | 2.52 | 1.34 | 6.2 | 320 |
| CKL0410-68uH/K | 68±10% | 40 | 2.52 | 1.47 | 5.7 | 305 |
| CKL0410-82uH/K | 82±10% | 35 | 2.52 | 1.62 | 5.3 | 290 |
| CKL0410-100uH/K | 100±10% | 30 | 2.52 | 1.8 | 4.8 | 275 |
| CKL0410-120uH/K | 120±10% | 70 | 0.796 | 3 | 3.8 | 185 |

Special inquiries besides the above common used types can be met on your requirement.
超出以上规格的特殊要求也可满足。



■CKL0410 Series



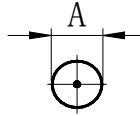
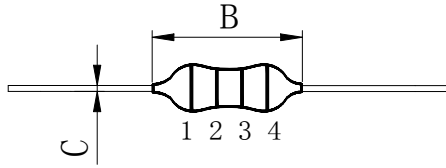
| A | B | C |
|----------|----------|----------|
| Ø4.0 Max | 10.5 Max | Ø0.6±0.1 |

| PART NUMBER 品名 | Inductance (uH) 电感 | Q (Min) Q值 | Frequency (MHz) 测试频率 | DCR (Max) (Ω) 直流电阻 | SRF (Min) (MHz) 自谐频率 | Rated Current (Max) (mA) 额定电流 |
|-------------------|-----------------------|---------------|----------------------------|--------------------------|----------------------------|-------------------------------------|
| CKL0410-150uH/K | 150±10% | 70 | 0.796 | 4.2 | 3.5 | 175 |
| CKL0410-180uH/K | 180±10% | 70 | 0.796 | 4.6 | 3.3 | 165 |
| CKL0410-220uH/K | 220±10% | 70 | 0.796 | 5.1 | 3 | 155 |
| CKL0410-270uH/K | 270±10% | 65 | 0.796 | 6 | 2.8 | 145 |
| CKL0410-330uH/K | 330±10% | 65 | 0.796 | 6.4 | 2.6 | 137 |
| CKL0410-390uH/K | 390±10% | 65 | 0.796 | 7 | 2.4 | 133 |
| CKL0410-470uH/K | 470±10% | 60 | 0.796 | 7.7 | 2.25 | 126 |
| CKL0410-560uH/K | 560±10% | 60 | 0.796 | 8.5 | 2.1 | 120 |
| CKL0410-680uH/K | 680±10% | 55 | 0.796 | 9.4 | 1.9 | 113 |
| CKL0410-820uH/K | 820±10% | 55 | 0.796 | 12 | 1.85 | 105 |
| CKL0410-1.0mH/K | 1000±10% | 50 | 0.796 | 17.4 | 1.4 | 100 |
| CKL0410-1.2mH/K | 1200±10% | 50 | 0.252 | 20 | 1.2 | 90 |
| CKL0410-1.5mH/K | 1500±10% | 30 | 0.252 | 25 | 1 | 85 |
| CKL0410-1.8mH/K | 1800±10% | 30 | 0.252 | 30 | 0.9 | 80 |
| CKL0410-2.2mH/K | 2200±10% | 30 | 0.252 | 35 | 0.8 | 75 |
| CKL0410-2.7mH/K | 2700±10% | 30 | 0.252 | 40 | 0.7 | 70 |
| CKL0410-3.3mH/K | 3300±10% | 30 | 0.252 | 65 | 0.65 | 65 |
| CKL0410-3.9mH/K | 3900±10% | 30 | 0.252 | 71 | 0.65 | 50 |
| CKL0410-4.7mH/K | 4700±10% | 30 | 0.252 | 78 | 0.6 | 40 |
| CKL0410-5.6mH/K | 5600±10% | 30 | 0.252 | 100 | 0.56 | 30 |
| CKL0410-6.8mH/K | 6800±10% | 30 | 0.252 | 125 | 0.54 | 30 |

Special inquiries besides the above common used types can be met on your requirement.
超出以上规格的特殊要求也可满足。



■CKL0412 Series



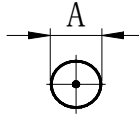
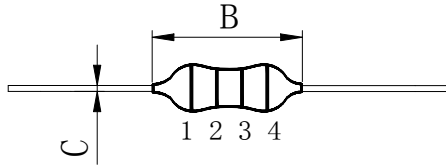
| A | B | C |
|--------------|----------|-----------|
| Ø4.5/5.0 Max | 12.7 Max | Ø0.65±0.1 |

| PART NUMBER 品名 | Inductance (uH) 电感 | Frequency (MHz) 测试频率 | DCR (Max) (Ω) 直流电阻 | SRF (Ref.) (MHz) 自谐频率 | Isat. (Max)(mA) 饱和电流 | Irms. (Max)(mA) 温升电流 |
|-------------------|--------------------------|----------------------------|--------------------------|-----------------------------|----------------------------|----------------------------|
| CKL0412-1.0uH | 1.0±10%/±20% | 7.96 | 0.018 | 190 | 3000 | 3300 |
| CKL0412-1.2uH | 1.2±10%/±20% | 7.96 | 0.019 | 170 | 2700 | 3200 |
| CKL0412-1.5uH | 1.5±10%/±20% | 7.96 | 0.02 | 160 | 2500 | 3100 |
| CKL0412-1.8uH | 1.8±10%/±20% | 7.96 | 0.023 | 150 | 2100 | 2900 |
| CKL0412-2.2uH | 2.2±10%/±20% | 7.96 | 0.031 | 130 | 2000 | 2600 |
| CKL0412-2.7uH | 2.7±10%/±20% | 7.96 | 0.033 | 120 | 1900 | 2500 |
| CKL0412-3.3uH | 3.3±10%/±20% | 7.96 | 0.054 | 110 | 1700 | 1900 |
| CKL0412-3.9uH | 3.9±10%/±20% | 7.96 | 0.06 | 100 | 1500 | 1800 |
| CKL0412-4.7uH | 4.7±10%/±20% | 7.96 | 0.068 | 86 | 1400 | 1700 |
| CKL0412-5.6uH | 5.6±10%/±20% | 7.96 | 0.074 | 64 | 1300 | 1600 |
| CKL0412-6.8uH | 6.8±10%/±20% | 7.96 | 0.08 | 44 | 1200 | 1600 |
| CKL0412-8.2uH | 8.2±10%/±20% | 7.96 | 0.087 | 32 | 1100 | 1500 |
| CKL0412*10uH/K | 10±10% | 1kHz | 0.095 | 25 | 970 | 1500 |
| CKL0412*12uH/K | 12±10% | 1kHz | 0.11 | 17 | 880 | 1400 |
| CKL0412*15uH/K | 15±10% | 1kHz | 0.15 | 13 | 790 | 1200 |
| CKL0412*18uH/K | 18±10% | 1kHz | 0.16 | 10 | 710 | 1100 |
| CKL0412*22uH/K | 22±10% | 1kHz | 0.19 | 8.4 | 640 | 1000 |
| CKL0412*27uH/K | 27±10% | 1kHz | 0.22 | 8 | 580 | 950 |
| CKL0412*33uH/K | 33±10% | 1kHz | 0.24 | 7.6 | 530 | 910 |
| CKL0412*39uH/K | 39±10% | 1kHz | 0.26 | 7.1 | 480 | 880 |
| CKL0412*47uH/K | 47±10% | 1kHz | 0.35 | 6 | 430 | 790 |
| CKL0412*56uH/K | 56±10% | 1kHz | 0.47 | 5.8 | 400 | 650 |
| CKL0412*68uH/K | 68±10% | 1kHz | 0.53 | 4.3 | 370 | 610 |
| CKL0412*82uH/K | 82±10% | 1kHz | 0.6 | 4.1 | 330 | 580 |
| CKL0412*100uH/K | 100±10% | 1kHz | 0.67 | 3.9 | 300 | 550 |
| CKL0412*120uH/K | 120±10% | 1kHz | 0.9 | 3.6 | 270 | 470 |
| CKL0412*150uH/K | 150±10% | 1kHz | 1.2 | 3.2 | 250 | 410 |

Special inquiries besides the above common used types can be met on your requirement.
超出以上规格的特殊要求也可满足。



■CKL0412 Series



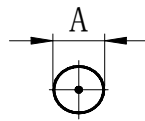
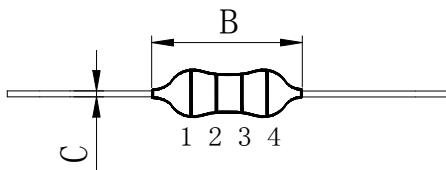
| A | B | C |
|--------------|----------|-----------|
| Ø4.5/5.0 Max | 12.7 Max | Ø0.65±0.1 |

| PART NUMBER 品名 | Inductance (uH) 电感 | Frequency (MHz) 测试频率 | DCR (Max) (Ω) 直流电阻 | SRF (Ref.) (MHz) 自谐频率 | Isat. (Max)(mA) 饱和电流 | Irms. (Max)(mA) 温升电流 |
|-------------------|--------------------------|----------------------------|--------------------------|-----------------------------|----------------------------|----------------------------|
| CKL0412*180uH/K | 180±10% | 1kHz | 1.4 | 2.8 | 220 | 380 |
| CKL0412*220uH/K | 220±10% | 1kHz | 1.9 | 2.3 | 200 | 320 |
| CKL0412*270uH/K | 270±10% | 1kHz | 2.1 | 2.1 | 180 | 310 |
| CKL0412*330uH/K | 330±10% | 1kHz | 2.4 | 1.9 | 170 | 290 |
| CKL0412*390uH/K | 390±10% | 1kHz | 3 | 1.7 | 150 | 260 |
| CKL0412*470uH/K | 470±10% | 1kHz | 3.4 | 1.4 | 140 | 240 |
| CKL0412*560uH/K | 560±10% | 1kHz | 4.7 | 1.3 | 130 | 210 |
| CKL0412*680uH/K | 680±10% | 1kHz | 6.4 | 1.2 | 110 | 180 |
| CKL0412*820uH/K | 820±10% | 1kHz | 7.1 | 1.1 | 100 | 170 |
| CKL0412*1.0mH/K | 1000±10% | 1kHz | 7.9 | 1 | 95 | 160 |
| CKL0412*1.2mH/K | 1200±10% | 1kHz | 9 | 0.94 | 87 | 150 |
| CKL0412*1.5mH/K | 1500±10% | 1kHz | 12 | 0.76 | 78 | 130 |
| CKL0412*1.8mH/K | 1800±10% | 1kHz | 14 | 0.72 | 71 | 120 |
| CKL0412*2.2mH/K | 2200±10% | 1kHz | 19 | 0.64 | 64 | 100 |
| CKL0412*2.7mH/K | 2700±10% | 1kHz | 25 | 0.56 | 58 | 90 |
| CKL0412*3.3mH/K | 3300±10% | 1kHz | 29 | 0.53 | 52 | 83 |
| CKL0412*3.9mH/K | 3900±10% | 1kHz | 34 | 0.48 | 48 | 77 |
| CKL0412*4.7mH/K | 4700±10% | 1kHz | 37 | 0.45 | 44 | 74 |
| CKL0412*5.6mH/K | 5600±10% | 1kHz | 50 | 0.4 | 40 | 63 |
| CKL0412*6.8mH/K | 6800±10% | 1kHz | 58 | 0.36 | 36 | 59 |
| CKL0412*8.2mH/K | 8200±10% | 1kHz | 68 | 0.29 | 33 | 54 |
| CKL0412*10mH/K | 10000±10% | 1kHz | 75 | 0.27 | 30 | 52 |

Special inquiries besides the above common used types can be met on your requirement.
超出以上规格的特殊要求也可满足。



■ CKL0510 Series



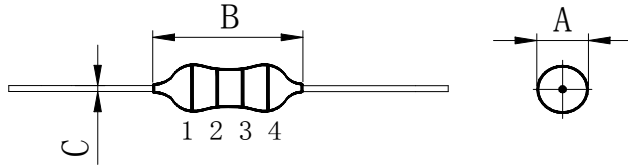
| A | B | C |
|----------|----------|----------|
| Ø5.0 Max | 11.0 Max | Ø0.6±0.1 |

| PART NUMBER 品名 | Inductance (uH) 电感 | Q (Min) Q值 | Frequency (MHz) 测试频率 | DCR (Max) (Ω) 直流电阻 | SRF (Min) (MHz) 自谐频率 | Rated Current (Max) (mA) 额定电流 |
|-------------------|-----------------------|---------------|----------------------------|--------------------------|----------------------------|-------------------------------------|
| CKL0510-4.7uH/K | 4.7±10% | 20 | 7.96 | 0.06 | 50 | 900 |
| CKL0510-10uH/K | 10±10% | 15 | 7.96 | 0.45 | 30 | 750 |
| CKL0510-22uH/K | 22±10% | 30 | 2.52 | 0.65 | 8 | 450 |
| CKL0510-82uH/K | 82±10% | 20 | 2.52 | 0.82 | 3.8 | 330 |
| CKL0510-100uH/K | 100±10% | 20 | 2.52 | 0.75 | 3.5 | 300 |
| CKL0510-120uH/K | 120±10% | 20 | 0.796 | 1.2 | 3.3 | 250 |
| CKL0510-150uH/K | 150±10% | 20 | 0.796 | 1.8 | 3.2 | 225 |
| CKL0510-180uH/K | 180±10% | 20 | 0.796 | 2 | 2.8 | 200 |
| CKL0510-220uH/K | 220±10% | 30 | 0.796 | 2.1 | 2.6 | 180 |
| CKL0510-270uH/K | 270±10% | 30 | 0.796 | 2.5 | 2.4 | 170 |
| CKL0510-330uH/K | 330±10% | 30 | 0.796 | 3 | 2.2 | 160 |
| CKL0510-390uH/K | 390±10% | 30 | 0.796 | 3.5 | 2 | 150 |
| CKL0510-470uH/K | 470±10% | 30 | 0.796 | 4 | 1.9 | 140 |
| CKL0510-560uH/K | 560±10% | 30 | 0.796 | 5.4 | 1.8 | 130 |
| CKL0510-680uH/K | 680±10% | 40 | 0.796 | 6 | 1.5 | 120 |
| CKL0510-820uH/K | 820±10% | 50 | 0.796 | 7.5 | 1.2 | 110 |
| CKL0510-1.0mH/K | 1000±10% | 50 | 0.252 | 8 | 1 | 100 |
| CKL0510-1.2mH/K | 1200±10% | 60 | 0.252 | 14.5 | 0.95 | 95 |
| CKL0510-1.5mH/K | 1500±10% | 60 | 0.252 | 16.5 | 0.9 | 90 |
| CKL0510-1.8mH/K | 1800±10% | 60 | 0.252 | 19 | 0.9 | 85 |
| CKL0510-2.2mH/K | 2200±10% | 60 | 0.252 | 27.5 | 0.8 | 80 |
| CKL0510-2.7mH/K | 2700±10% | 60 | 0.252 | 40 | 0.75 | 75 |
| CKL0510-3.3mH/K | 3300±10% | 50 | 0.252 | 50 | 0.7 | 62 |
| CKL0510-3.9mH/K | 3900±10% | 50 | 0.252 | 53 | 0.65 | 59 |
| CKL0510-4.7mH/K | 4700±10% | 50 | 0.252 | 60 | 0.6 | 55 |
| CKL0510-5.6mH/K | 5600±10% | 50 | 0.252 | 64 | 0.5 | 40 |
| CKL0510-6.8mH/K | 6800±10% | 50 | 0.252 | 73 | 0.45 | 35 |
| CKL0510-8.2mH/K | 8200±10% | 30 | 0.252 | 80 | 0.4 | 30 |
| CKL0510-10mH/K | 10000±10% | 25 | 79.6k | 132 | 0.35 | 25 |
| CKL0510-12mH/K | 12000±10% | 25 | 79.6k | 143 | 0.3 | 20 |
| CKL0510-15mH/K | 15000±10% | 25 | 79.6k | 166 | 0.25 | 18 |
| CKL0510-18mH/K | 18000±10% | 25 | 79.6k | 185 | 0.2 | 15 |
| CKL0510-22mH/K | 22000±10% | 20 | 1k/79.6k | 330 | 0.15 | 12 |
| CKL0510-27mH/K | 27000±10% | 20 | 1k/79.6k | 370 | 0.1 | 10 |
| CKL0510-30mH/K | 30000±10% | 40 | 1k/79.6k | 240 | 0.25 | 10 |

Special inquiries besides the above common used types can be met on your requirement.
超出以上规格的特殊要求也可满足。



■CKL0512 Series



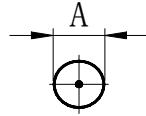
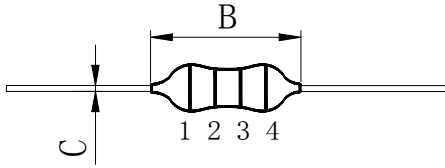
| A | B | C |
|----------|----------|----------|
| Ø5.0 Max | 12.0 Max | Ø0.6±0.1 |

| PART NUMBER 品名 | Inductance (uH) 电感 | Q (Min) Q值 | Frequency (MHz) 测试频率 | DCR (Max) (Ω) 直流电阻 | SRF (Min) (MHz) 自谐频率 | Rated Current (Max) (mA) 额定电流 |
|-------------------|-----------------------|---------------|----------------------------|--------------------------|----------------------------|-------------------------------------|
| CKL0512-22uH/K | 22±10% | 30 | 2.52M | 0.35 | 8 | 550 |
| CKL0512-100uH/K | 100±10% | 10 | 2.52M | 0.5 | 3.5 | 300 |
| CKL0512-220uH/K | 220±10% | 10 | 0.796M | 2.1 | 2.6 | 160 |
| CKL0512-330uH/K | 330±10% | 30 | 0.796M | 2.5 | 2.2 | 130 |
| CKL0512-390uH/K | 390±10% | 30 | 0.796M | 2.8 | 2 | 125 |
| CKL0512-470uH/K | 470±10% | 30 | 1k/0.796M | 3 | 1.9 | 120 |
| CKL0512-560uH/K | 560±10% | 30 | 0.796M | 4.5 | 1.8 | 115 |
| CKL0512-680uH/K | 680±10% | 30 | 0.796M | 4.6 | 1.5 | 110 |
| CKL0512-820uH/K | 820±10% | 30 | 0.796M | 5 | 1.2 | 105 |
| CKL0512-1.0mH/K | 1000±10% | 50 | 1k/0.252M | 5 | 1 | 100 |
| CKL0512-1.2mH/K | 1200±10% | 60 | 0.252M | 14.5 | 0.95 | 90 |
| CKL0512-1.5mH/K | 1500±10% | 60 | 0.252M | 16.5 | 0.9 | 85 |
| CKL0512-1.8mH/K | 1800±10% | 60 | 0.252M | 19 | 0.9 | 80 |
| CKL0512-2.2mH/K | 2200±10% | 60 | 1k/0.252M | 27.5 | 0.8 | 70 |
| CKL0512-2.7mH/K | 2700±10% | 60 | 0.252M | 40 | 0.75 | 65 |
| CKL0512-3.3mH/K | 3300±10% | 50 | 0.252M | 50 | 0.7 | 60 |
| CKL0512-3.9mH/K | 3900±10% | 50 | 0.252M | 53 | 0.65 | 55 |
| CKL0512-4.7mH/K | 4700±10% | 50 | 0.252M | 60 | 0.6 | 50 |
| CKL0512-5.6mH/K | 5600±10% | 50 | 1k/0.252M | 64 | 0.5 | 45 |
| CKL0512-6.8mH/K | 6800±10% | 40 | 0.252M | 73 | 0.45 | 40 |
| CKL0512-8.2mH/K | 8200±10% | 30 | 0.252M | 80 | 0.4 | 30 |
| CKL0512-10mH/K | 10000±10% | 30 | 79.6k | 132 | 0.35 | 25 |

Special inquiries besides the above common used types can be met on your requirement.
超出以上规格的特殊要求也可满足。



■CKL0514 Series



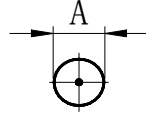
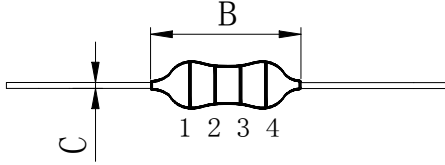
| A | B | C |
|--------------|-----------|-----------|
| Ø5.0/5.5 Max | 14/15 Max | Ø0.65±0.1 |

| PART NUMBER 品名 | Inductance (uH) 电感 | Q (Min) Q值 | Frequency (MHz) 测试频率 | DCR (Max) (Ω) 直流电阻 | SRF (Ref.) (MHz) 自谐频率 | Isat. (Max)(mA) 饱和电流 | Irms. (Max)(mA) 温升电流 |
|-------------------|-----------------------|---------------|----------------------------|--------------------------|-----------------------------|----------------------------|----------------------------|
| CKL0514-1.0uH | 1.0±10%/±20% | 10 | 7.96 | 0.022 | 300 | 5600 | 3800 |
| CKL0514-1.2uH | 1.2±10%/±20% | 10 | 7.96 | 0.024 | 260 | 5500 | 3700 |
| CKL0514-1.5uH | 1.5±10%/±20% | 10 | 7.96 | 0.026 | 250 | 5000 | 3600 |
| CKL0514-1.8uH | 1.8±10%/±20% | 10 | 7.96 | 0.029 | 240 | 4700 | 3100 |
| CKL0514-2.2uH | 2.2±10%/±20% | 10 | 7.96 | 0.031 | 220 | 4500 | 2900 |
| CKL0514-2.7uH | 2.7±10%/±20% | 10 | 7.96 | 0.034 | 195 | 4000 | 2700 |
| CKL0514-3.3uH | 3.3±10%/±20% | 10 | 7.96 | 0.038 | 155 | 3400 | 2600 |
| CKL0514-3.9uH | 3.9±10%/±20% | 10 | 7.96 | 0.040 | 115 | 3100 | 2500 |
| CKL0514-4.7uH | 4.7±10%/±20% | 10 | 7.96 | 0.044 | 85 | 2800 | 2400 |
| CKL0514-5.6uH | 5.6±10%/±20% | 10 | 7.96 | 0.048 | 55 | 2600 | 2100 |
| CKL0514-6.8uH | 6.8±10%/±20% | 10 | 7.96 | 0.051 | 50 | 2400 | 2000 |
| CKL0514-8.2uH | 8.2±10%/±20% | 10 | 7.96 | 0.056 | 38 | 2200 | 1950 |
| CKL0514-10uH/K | 10±10% | 10 | 7.96 | 0.062 | 24 | 2100 | 1900 |
| CKL0514-12uH/K | 12±10% | 10 | 2.52 | 0.076 | 18 | 1800 | 1800 |
| CKL0514-15uH/K | 15±10% | 10 | 2.52 | 0.088 | 16 | 1700 | 1700 |
| CKL0514-18uH/K | 18±10% | 10 | 2.52 | 0.11 | 15 | 1600 | 1600 |
| CKL0514-22uH/K | 22±10% | 10 | 2.52 | 0.13 | 14 | 1400 | 1550 |
| CKL0514-27uH/K | 27±10% | 10 | 2.52 | 0.14 | 13 | 1300 | 1300 |
| CKL0514-33uH/K | 33±10% | 10 | 2.52 | 0.20 | 11 | 1200 | 1200 |
| CKL0514-39uH/K | 39±10% | 10 | 2.52 | 0.22 | 10 | 1100 | 1000 |
| CKL0514-43uH/K | 43±10% | 10 | 2.52 | 0.28 | 9.5 | 1000 | 950 |
| CKL0514-47uH/K | 47±10% | 10 | 2.52 | 0.28 | 9.5 | 1000 | 950 |
| CKL0514-56uH/K | 56±10% | 10 | 2.52 | 0.30 | 8 | 900 | 900 |
| CKL0514-68uH/K | 68±10% | 10 | 2.52 | 0.34 | 7.5 | 800 | 800 |
| CKL0514-82uH/K | 82±10% | 10 | 2.52 | 0.385 | 7 | 700 | 750 |
| CKL0514-100uH/K | 100±10% | 10 | 2.52 | 0.48 | 6.5 | 700 | 700 |
| CKL0514-120uH/K | 120±10% | 15 | 0.796 | 0.595 | 5 | 600 | 600 |
| CKL0514-150uH/K | 150±10% | 15 | 0.796 | 0.90 | 4.5 | 550 | 500 |
| CKL0514-180uH/K | 180±10% | 15 | 0.796 | 1.10 | 4 | 500 | 400 |
| CKL0514-220uH/K | 220±10% | 15 | 0.796 | 1.25 | 3.8 | 440 | 390 |
| CKL0514-270uH/K | 270±10% | 15 | 0.796 | 1.85 | 3.5 | 420 | 330 |
| CKL0514-330uH/K | 330±10% | 15 | 0.796 | 2.10 | 3.0 | 380 | 310 |

Special inquiries besides the above common used types can be met on your requirement.
超出以上规格的特殊要求也可满足。



■CKL0514 Series



| A | B | C |
|--------------|-----------|-----------|
| Ø5.0/5.5 Max | 14/15 Max | Ø0.65±0.1 |

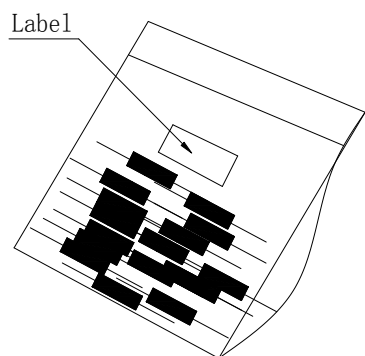
| PART NUMBER 品名 | Inductance (uH) 电感 | Q (Min) Q值 | Frequency (MHz) 测试频率 | DCR (Max) (Ω) 直流电阻 | SRF (Ref.) (MHz) 自谐频率 | Isat. (Max)(mA) 饱和电流 | Irms. (Max)(mA) 温升电流 |
|-------------------|-----------------------|---------------|----------------------------|--------------------------|-----------------------------|----------------------------|----------------------------|
| CKL0514-390uH/K | 390±10% | 15 | 0.796 | 2.28 | 2.8 | 340 | 300 |
| CKL0514-470uH/K | 470±10% | 15 | 0.796 | 3.22 | 2.5 | 320 | 280 |
| CKL0514-560uH/K | 560±10% | 15 | 0.796 | 3.85 | 2.2 | 290 | 270 |
| CKL0514-680uH/K | 680±10% | 15 | 0.796 | 4.00 | 2.1 | 260 | 240 |
| CKL0514-820uH/K | 820±10% | 15 | 0.796 | 5.00 | 2.0 | 250 | 230 |
| CKL0514-1.0mH/K | 1000±10% | 15 | 0.252 | 5.80 | 1.8 | 220 | 190 |
| CKL0514-1.2mH/K | 1200±10% | 15 | 0.252 | 7.10 | 1.6 | 200 | 180 |
| CKL0514-1.5mH/K | 1500±10% | 15 | 0.252 | 7.80 | 1.5 | 190 | 170 |
| CKL0514-2.2mH/K | 2200±10% | 35 | 0.252 | 20.0 | 1.0 | 140 | 140 |
| CKL0514-3.3mH/K | 3300±10% | 35 | 0.252 | 27.0 | 0.8 | 130 | 120 |
| CKL0514-4.7mH/K | 4700±10% | 30 | 0.252 | 30.0 | 0.7 | 120 | 100 |
| CKL0514-5.6mH/K | 5600±10% | 15 | 0.252 | 30.0 | 0.5 | 100 | 90 |
| CKL0514-6.8mH/K | 6800±10% | 15 | 0.252 | 30.0 | 0.4 | 90 | 80 |
| CKL0514-8.2mH/K | 8200±10% | 15 | 0.252 | 37.5 | 0.4 | 80 | 70 |
| CKL0514-10mH/K | 10000±10% | 15 | 79.6kHz | 42.0 | 0.4 | 70 | 60 |

Special inquiries besides the above common used types can be met on your requirement.
超出以上规格的特殊要求也可满足。



● Packaging 包装方式

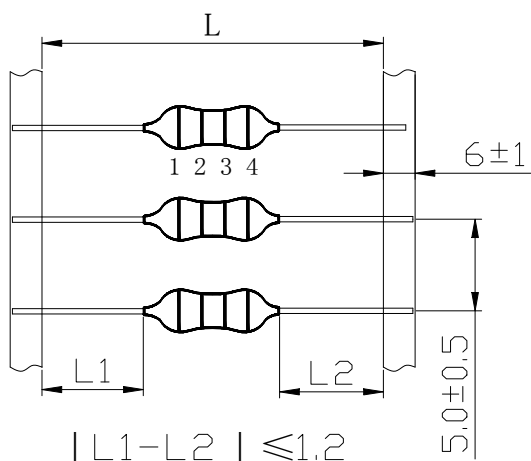
1. Bulk 散装(B)



Dimension of Bag: 160mm*170mm

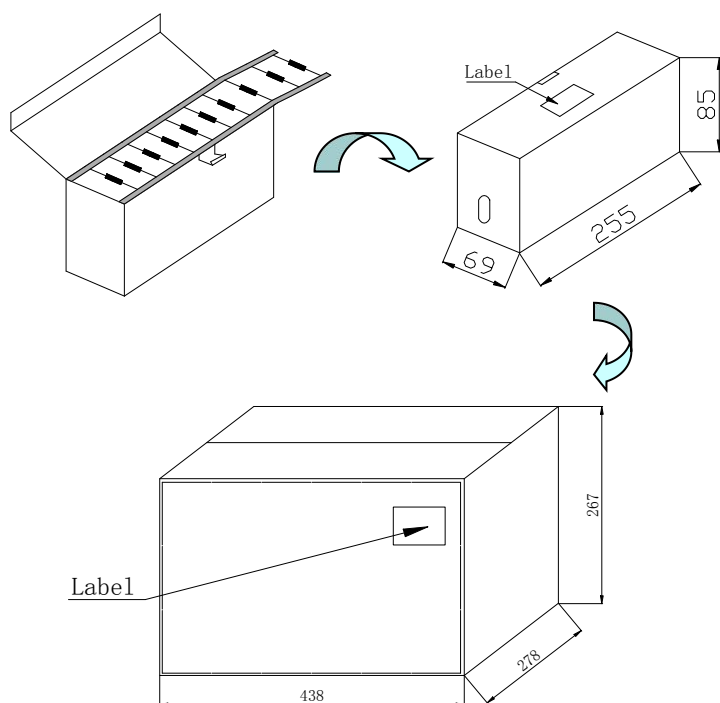
| Type | Quantity per Bag |
|---------|------------------|
| CKL0204 | 1,000 Pcs |
| CKL0307 | 1,000 Pcs |
| CKL0410 | 1,000 Pcs |
| CKL0412 | 1,000 Pcs |
| CKL0510 | 500 Pcs |
| CKL0512 | 500 Pcs |
| CKL0514 | 500 Pcs |

2. Specification of Tape 编带尺寸



| Item | Dimension(mm) |
|------|----------------|
| L | 52.4 ± 1.5 |

3. Ammunition Pack (Package Defaults) 直脚编带盒装 (产品默认包装方式) (T)



| Type | Quantity(Pcs) | | Remark |
|----------|---------------|--------|--------|
| | Box | Carton | |
| CKL0204 | 3,000 | 54,000 | |
| CKL0307 | 3,000 | 54,000 | |
| CKL0307* | 2,500 | 45,000 | A:Ø3.2 |
| CKL0410 | 1,500 | 27,000 | |
| CKL0412 | 1,000 | 18,000 | |
| CKL0510 | 1,000 | 18,000 | |
| CKL0512 | 1,000 | 18,000 | |
| CKL0514 | 1,000 | 18,000 | |



4. Taping and Reel Pack 卷式包装(TR)

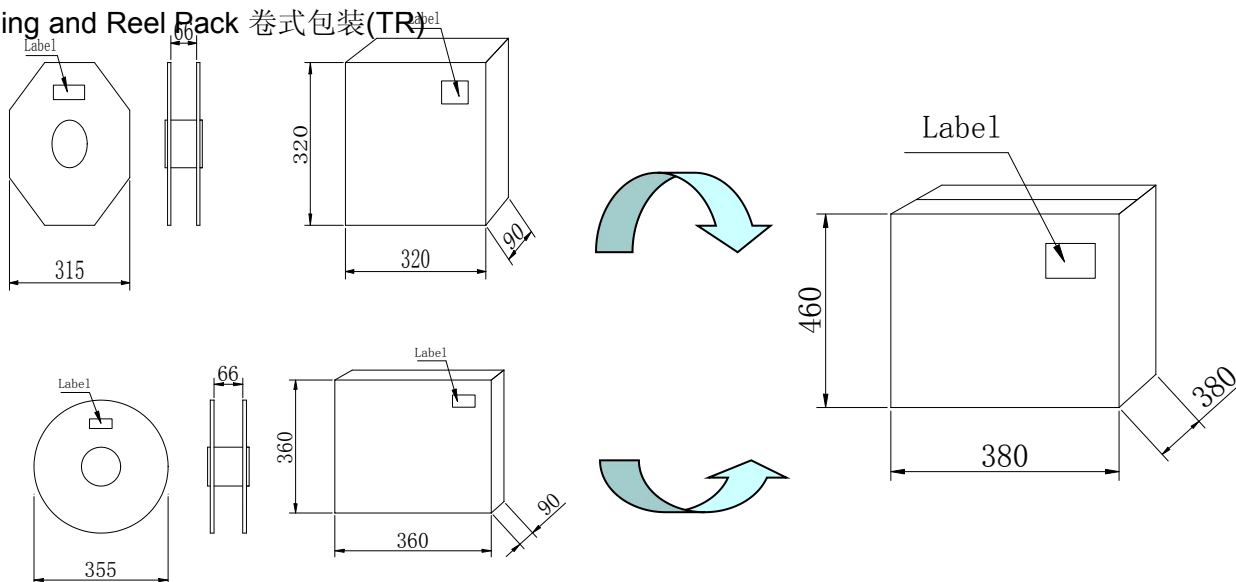
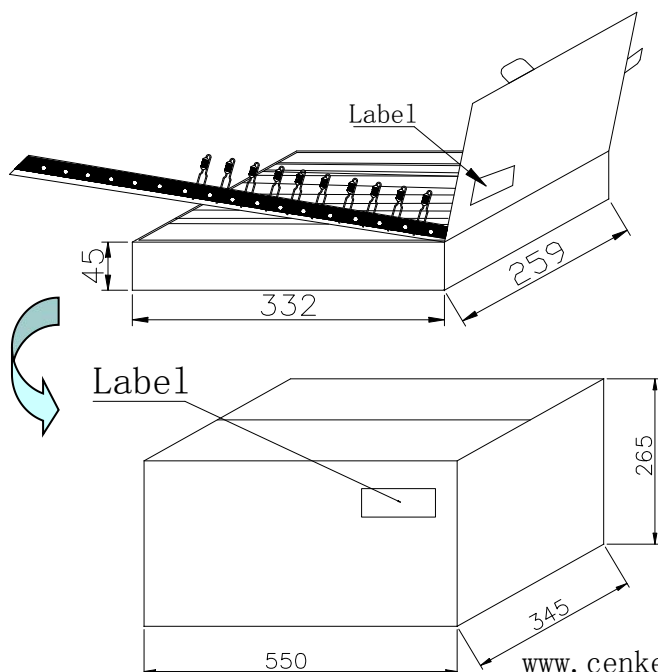


Figure2

| Type | Quantity(Pcs) | | Figure |
|---------|---------------|--------|--------|
| | Reel(Box) | Carton | |
| CKL0204 | 5,000 | 25,000 | 1 |
| CKL0307 | 5,000 | 25,000 | 1 |
| | | | |
| CKL0410 | 5,000 | 25,000 | 2 |
| CKL0412 | 4,000 | 20,000 | 2 |
| CKL0510 | 3,000 | 15,000 | 2 |
| CKL0512 | 3,000 | 15,000 | 2 |
| CKL0514 | 3,000 | 15,000 | 2 |

5. Forming and Taping Pack 成型编带包装



| Type | Quantity(Pcs) | |
|---------|---------------|--------|
| | Box | Carton |
| CKL0204 | 3,000 | 30,000 |
| CKL0307 | 3,000 | 30,000 |
| CKL0410 | 3,000 | 30,000 |
| CKL0412 | 2,500 | 25,000 |
| CKL0510 | 2,500 | 25,000 |

X-ON Electronics

Largest Supplier of Electrical and Electronic Components

Click to view similar products for [Fixed Inductors](#) category:

Click to view products by [CENKER](#) manufacturer:

Other Similar products are found below :

[MLZ1608M6R8WTD25](#) [MLZ1608N6R8LT000](#) [MLZ1608N3R3LTD25](#) [MLZ1608N3R3LT000](#) [MLZ1608N150LT000](#)

[MLZ1608M150WTD25](#) [MLZ1608M3R3WTD25](#) [MLZ1608M3R3WT000](#) [MLZ1608M150WT000](#) [MLZ1608A1R5WT000](#)

[MLZ1608N1R5LT000](#) [B82432C1333K000](#) [PCMB053T-1R0MS](#) [PCMB053T-1R5MS](#) [PCMB104T-1R5MS](#) [CR32NP-100KC](#) [CR32NP-](#)

[151KC](#) [CR32NP-180KC](#) [CR32NP-181KC](#) [CR32NP-1R5MC](#) [CR32NP-390KC](#) [CR32NP-3R9MC](#) [CR32NP-680KC](#) [CR32NP-820KC](#)

[CR32NP-8R2MC](#) [CR43NP-390KC](#) [CR43NP-560KC](#) [CR43NP-680KC](#) [CR54NP-181KC](#) [CR54NP-470LC](#) [CR54NP-820KC](#) [CR54NP-8R5MC](#)

[MGDQ4-00004-P](#) [MGDU1-00016-P](#) [MHL1ECTTP18NJ](#) [MHL1JCTTD12NJ](#) [PE-51506NL](#) [PE-53601NL](#) [PE-53630NL](#) [PE-53824SNLT](#) [PE-](#)

[62892NL](#) [PE-92100NL](#) [PG0434.801NLT](#) [PG0936.113NLT](#) [PM06-2N7](#) [PM06-39NJ](#) [HC2LP-R47-R](#) [HC2-R47-R](#) [HC3-2R2-R](#) [HC8-1R2-R](#)