

Axial Fixed Inductor - CKL

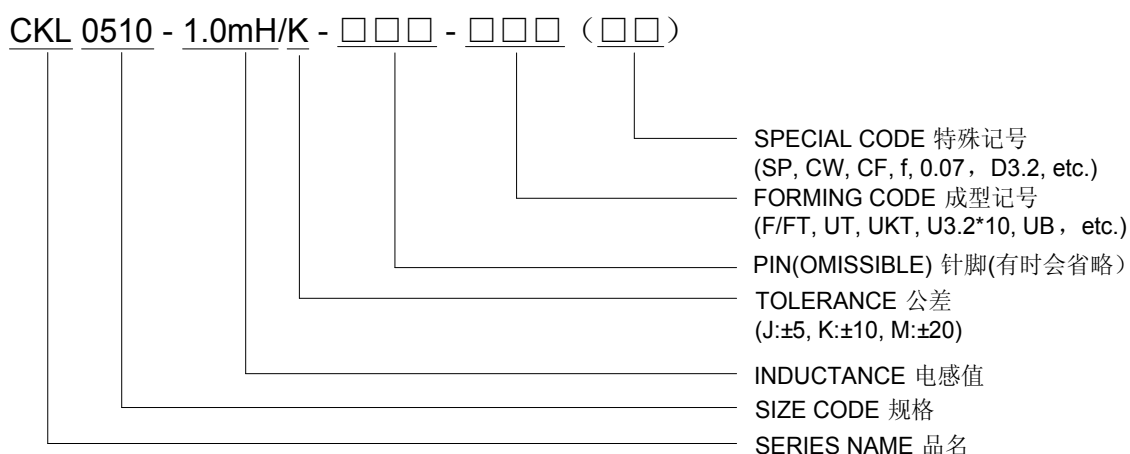
● Features 特性

1. Design to be compact, small and light-weight, wide range of inductance. 感量范围宽，尺寸小，重量轻。
2. Contribute to be high Q and self-resonant frequencies, tapping type that is convenient for automatic insertion, coating epoxy resin that ensure the humidity resistance to be long life. 高Q和SRF值，卷装适用于自动插件，使用寿命长。

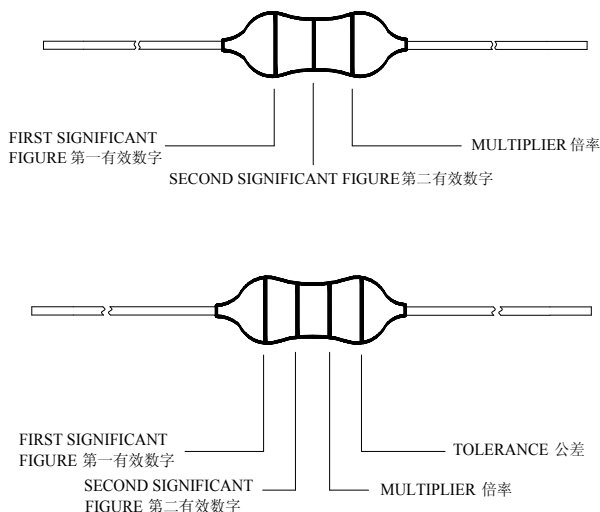
● Applications 用途

For TV, radios and radio transceivers, telephones. 用于TV、音响，收音机，电话机。
Others various electronic products. 用其他各种电子产品上。

● Part Numbering System 品名系统



● Color Coding 颜色编码



The nominal inductance is marked. Color code listed in table below. 标称电感值用色码编码表示如下表所示。

Color 颜色	Nominal Inductance(uH)标称电感值(微亨)			
	1st Figure	2nd Figure	Multiplier	Tolerance
Black 黑	0		×1	±20%
Brown 棕	1		×10	—
Red 红	2		×100	—
Orange 橙	3		×1000	—
Yellow 黄	4		—	—
Green 绿	5		—	—
Blue 蓝	6		—	—
Violet 紫	7		—	—
Gray 灰	8		—	—
White 白	9		—	—
Gold 金	—		×0.1	±5%
Silver 银	—		×0.01	±10%



● Appearance Dimensions 外观尺寸

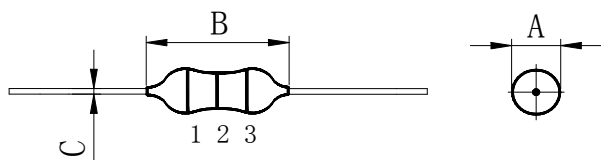


Figure 1

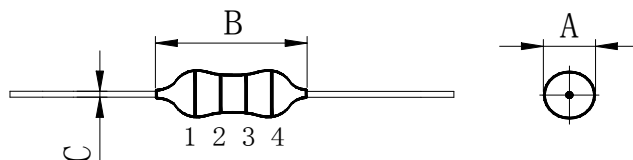


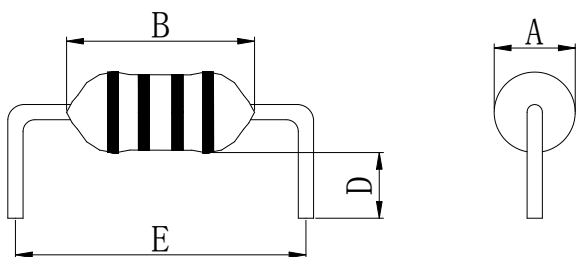
Figure 2

Type	Dimension(mm)			Figure
	A(Max)	B(Max)	C*(±0.1)	
CKL0204	Ø2.8	4.8	Ø0.45	1
CKL0307	Ø3.0/Ø3.2	7.0	Ø0.50	2
CKL0410	Ø4.0	10.5	Ø0.60	2
CKL0412	Ø4.5/5.0	12.7	Ø0.65	2
CKL0510	Ø5.0	11.0	Ø0.60	2
CKL0512	Ø5.0	12.0	Ø0.60	2
CKL0514	Ø5.0/5.5	14.0/15.0	Ø0.65	2

C*It depends on the actual situation.视情况定。

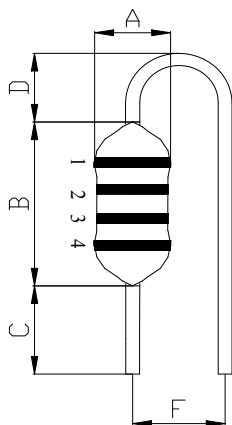
● Appearance Dimensions of Forming 成型外观尺寸

1.U-forming(Horizontal) U形成型(卧式)(UX*X)



Type	Dimension(mm)			
	A(Max)	B(Max)	D(Min)	E
CKL0204	Ø2.8	4.8	2.4	7.5~12
CKL0307	Ø3.0/Ø3.2	7.0	2.4	10~15
CKL0410	Ø4.0	10.5	2.4	12.5~20
CKL0412	Ø4.5/5.0	12.7	2.4	15~20
CKL0510	Ø5.0	11.0	2.4	12.5~20
CKL0512	Ø5.0	12.0	2.4	15~20
CKL0514	Ø5.0/5.5	14.0/15.0	2.4	17.5~25

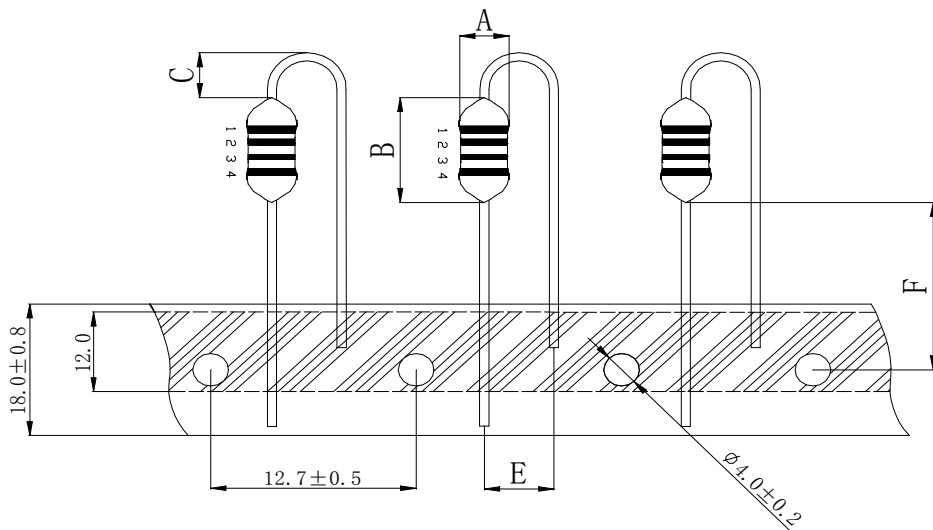
2.U-forming(Vertical) U形成型(立式)(UB)



Type	Dimension(mm)				
	A(Max)	B(Max)	C	D(Max)	F
CKL0204	Ø2.8	4.8	3.0~6.0	3.0	2.5
CKL0307	Ø3.0/Ø3.2	7.0	3.0~6.0	3.0	2.5
CKL0410	Ø4.0	10.5	3.0~6.0	3.0	2.5/3.5/5.0
CKL0412	Ø4.5/5.0	12.7	3.0~5.0	3.0	5.0
CKL0510	Ø5.0	11.0	3.0~6.0	3.0	5.0
CKL0512	Ø5.0	12.0	3.0~5.0	3.0	5.0
CKL0514	Ø5.0/5.5	14.0/15.0	2.5~4.0	3.0	5.0

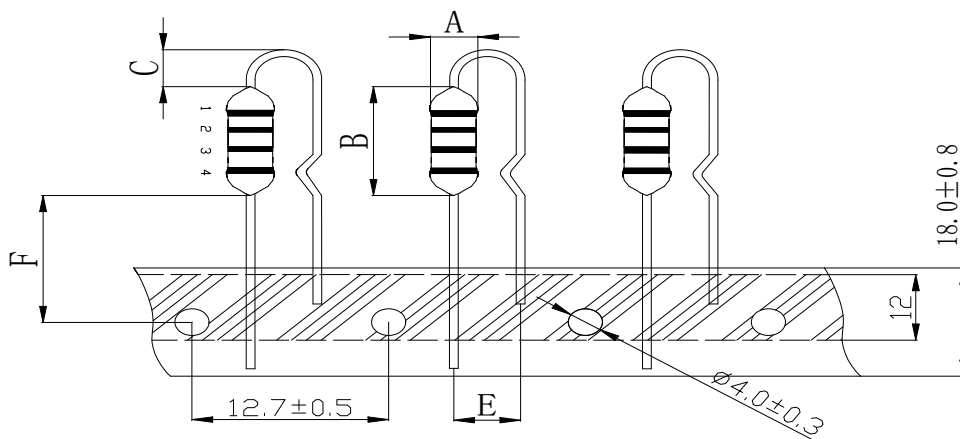


3.U-forming and Taping U成型编带(UT)



Type	Dimension(mm)				
	A(Max)	B(Max)	C(Max)	E	F(±2.0)
CKL0204	Ø2.8	4.8	3.0	2.5	22.0
CKL0307	Ø3.0/Ø3.2	7.0	3.0	2.5/5.0	20.0
CKL0410	Ø4.0	10.5	3.0	2.5/3.5/5.0	18.5
CKL0412	Ø4.5/5.0	12.7	3.0	5.0	17.5
CKL0510	Ø5.0	11.0	3.0	5.0	18.5
CKL0512	Ø5.0	12.0	3.0	5.0	17.5

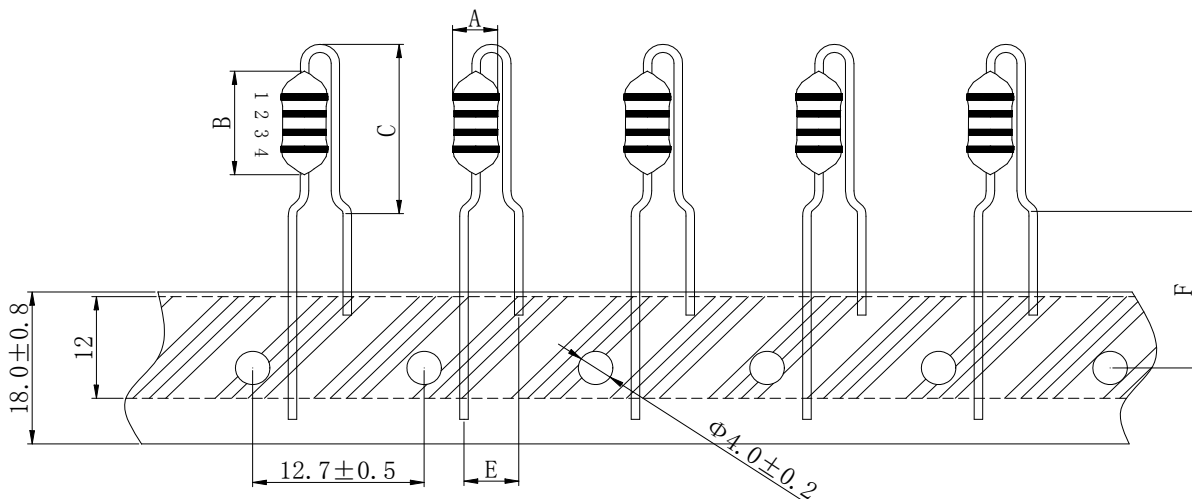
4.UK-forming and Taping UK成型编带(UKT)



Type	Dimension(mm)				
	A(Max)	B(Max)	C(Max)	E	F(±2.0)
CKL0307	Ø3.0/Ø3.2	7.0	3.0	5.0	20.0
CKL0410	Ø4.0	10.5	3.0	5.0	18.0
CKL0412	Ø4.5/5.0	12.7	3.0	5.0	17.0
CKL0510	Ø5.0	11.0	3.0	5.0	18.0
CKL0512	Ø5.0	12.0	3.0	5.0	17.0



5.R-forming and Taping R成型编带(F/FT)



Type	Dimension(mm)				
	A(Max)	B(Max)	C(Max)	E	F
CKL0307	Ø3.0/Ø3.2	7.0	12.5	5.0	17.5±1.5
CKL0410	Ø4.0	10.5	13.5	5.0	17.5±1.5
CKL0412	Ø4.5/5.0	12.7	16.5	5.0	15.0Min
CKL0510	Ø5.0	11.0	14.5	5.0	17.5±1.5
CKL0512	Ø5.0	12.0	16.0	5.0	15.0Min

● Electrical Characteristics 电气特性

- (1) Isat: DC current at which the inductance drops approximate 10% from its value without current;
- (2) Irms: DC current that causes the temperature rise ($\Delta T \leq 40^{\circ}\text{C}$) from 25°C ambient.
- (3) Rated Current: It is either the inductance is 10% lower than its initial value in DC saturation characteristics or temperature raise becomes $\Delta T=40^{\circ}\text{C}$ ($T_a=25^{\circ}\text{C}$), whichever is lower.
- (4) Operating Temperature Ranges: $-25\sim 85^{\circ}\text{C}$.
- (5) Dielectric with standing voltage: 250V AC r.m.s.

● Test Equipments 测试设备

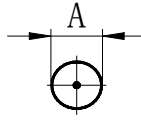
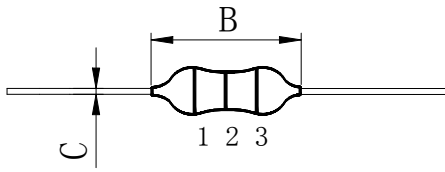
- (1) Inductance(L): HP 4284A/HM 9481/CD 1063/HP 4291A;
- (2) Q: HP 4284A/HM 9481;
- (3) DCR: CH 502A/CH 502BC;
- (4) SRF: HM 9461;
- (5) Rated Current/Isat./Irms.: HP 4284+HP 4284A/CD 1068+CD 1320.

Test Condition: at 25°C , 75%H.



● Electrical Parameters 电气参数

■ CKL0204 Series



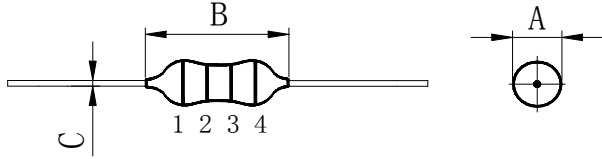
A	B	C
Ø2.8 Max	4.8 Max	Ø0.45±0.1

PART NUMBER 品名	Inductance (uH) 电感	Q (Min) Q值	Frequency (MHz) 测试频率	DCR (Max) (Ω) 直流电阻	SRF (Min) (MHz) 自谐频率	Rated Current (Max) (mA) 额定电流
CKL0204-0.22uH/M	0.22±20%	35	25.2	0.4	150	400
CKL0204-0.27uH/M	0.27±20%	35	25.2	0.43	150	380
CKL0204-0.33uH/M	0.33±20%	35	25.2	0.48	150	370
CKL0204-0.39uH/M	0.39±20%	35	25.2	0.51	150	350
CKL0204-0.47uH	0.47±10%/±20%	35	25.2	0.56	150	330
CKL0204-0.56uH	0.56±10%/±20%	35	25.2	0.61	150	320
CKL0204-0.68uH	0.68±10%/±20%	35	25.2	0.67	150	310
CKL0204-0.82uH	0.82±10%/±20%	35	25.2	0.74	150	290
CKL0204-1.0uH/K	1.0±10%	35	25.2	0.8	150	270
CKL0204-1.2uH/K	1.2±10%	40	7.96	0.9	110	260
CKL0204-1.5uH/K	1.5±10%	40	7.96	1	80	250
CKL0204-1.8uH/K	1.8±10%	40	7.96	1.1	60	240
CKL0204-2.2uH/K	2.2±10%	40	7.96	1.2	45	230
CKL0204-2.7uH/K	2.7±10%	40	7.96	1.3	40	220
CKL0204-3.3uH/K	3.3±10%	40	7.96	1.4	38	210
CKL0204-3.9uH/K	3.9±10%	40	7.96	1.5	36	200
CKL0204-4.7uH/K	4.7±10%	40	7.96	1.7	32	190
CKL0204-5.6uH/K	5.6±10%	40	7.96	1.9	30	180
CKL0204-6.8uH/K	6.8±10%	40	7.96	2	28	175
CKL0204-8.2uH/K	8.2±10%	40	7.96	2.2	26	165
CKL0204-10uH/K	10±10%	40	7.96	2.5	24	160
CKL0204-12uH/K	12±10%	40	2.52	2.5	22	150
CKL0204-15uH/K	15±10%	40	2.52	2.8	20	145
CKL0204-18uH/K	18±10%	40	2.52	3.1	16.7	140
CKL0204-22uH/K	22±10%	40	2.52	3.4	15	130
CKL0204-27uH/K	27±10%	40	2.52	4.3	13	80
CKL0204-33uH/K	33±10%	40	2.52	4.7	12	76
CKL0204-39uH/K	39±10%	40	2.52	5.2	11	74
CKL0204-47uH/K	47±10%	40	2.52	5.8	9	70
CKL0204-56uH/K	56±10%	40	2.52	6.4	8	68
CKL0204-68uH/K	68±10%	40	2.52	7.2	7	64
CKL0204-82uH/K	82±10%	40	2.52	9.5	6.5	46
CKL0204-100uH/K	100±10%	40	2.52	12	6	44
CKL0204-120uH/K	120±10%	40	0.796	13	5.5	42
CKL0204-150uH/K	150±10%	40	0.796	16	5	39
CKL0204-180uH/K	180±10%	40	0.796	18	4.8	37
CKL0204-220uH/K	220±10%	40	0.796	20	4.5	35
CKL0204-270uH/K	270±10%	30	0.796	20	3.5	25
CKL0204-330uH/K	330±10%	30	0.796	20	3	25

Special inquiries besides the above common used types can be met on your requirement.
超出以上规格的特殊要求也可满足。



■CKL0307 Series



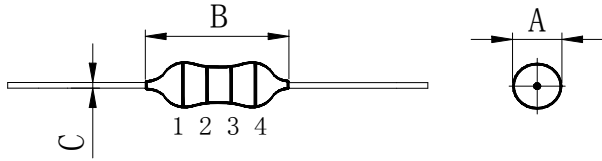
A	B	C
Ø3.0/3.2 Max	7.0 Max	Ø0.5±0.1

PART NUMBER 品名	Inductance (uH) 电感	Q (Min) Q值	Frequency (MHz) 测试频率	DCR (Max) (Ω) 直流电阻	SRF (Min) (MHz) 自谐频率	Rated Current (Max) (mA) 额定电流
CKL0307-0.22uH/M	0.22±20%	40	25.2	0.08	150	740
CKL0307-0.27uH/M	0.27±20%	40	25.2	0.085	150	740
CKL0307-0.33uH/M	0.33±20%	40	25.2	0.095	150	740
CKL0307-0.39uH/M	0.39±20%	40	25.2	0.1	150	740
CKL0307-0.47uH	0.47±10%/±20%	40	25.2	0.11	150	740
CKL0307-0.56uH	0.56±10%/±20%	40	25.2	0.12	150	740
CKL0307-0.68uH	0.68±10%/±20%	40	25.2	0.13	150	740
CKL0307-0.82uH	0.82±10%/±20%	40	25.2	0.14	150	740
CKL0307-1.0uH/K	1.0±10%	40	25.2	0.15	150	740
CKL0307-1.2uH/K	1.2±10%	40	7.96	0.18	150	740
CKL0307-1.5uH/K	1.5±10%	40	7.96	0.2	150	700
CKL0307-1.8uH/K	1.8±10%	50	7.96	0.23	125	655
CKL0307-2.2uH/K	2.2±10%	50	7.96	0.27	110	630
CKL0307-2.7uH/K	2.7±10%	50	7.96	0.28	95	595
CKL0307-3.3uH/K	3.3±10%	50	7.96	0.3	70	575
CKL0307-3.9uH/K	3.9±10%	50	7.96	0.32	65	555
CKL0307-4.7uH/K	4.7±10%	50	7.96	0.35	36	530
CKL0307-5.6uH/K	5.6±10%	50	7.96	0.4	32	500
CKL0307-6.8uH/K	6.8±10%	50	7.96	0.48	28	470
CKL0307-8.2uH/K	8.2±10%	50	7.96	0.56	23	425
CKL0307-10uH/K	10±10%	50	7.96	0.75	18	370
CKL0307-12uH/K	12±10%	50	2.52	0.8	17	350
CKL0307-15uH/K	15±10%	50	2.52	0.93	16	335
CKL0307-18uH/K	18±10%	50	2.52	1	15	315
CKL0307-22uH/K	22±10%	50	2.52	1.2	13	285
CKL0307-27uH/K	27±10%	50	2.52	1.8	11	270
CKL0307-33uH/K	33±10%	50	2.52	2.1	10	255
CKL0307-39uH/K	39±10%	50	2.52	2.3	9.5	240
CKL0307-47uH/K	47±10%	50	2.52	2.6	8.5	205
CKL0307-56uH/K	56±10%	50	2.52	2.9	7.5	195
CKL0307-68uH/K	68±10%	50	2.52	3.3	6.5	185
CKL0307-82uH/K	82±10%	50	2.52	3.8	6	175
CKL0307-100uH/K	100±10%	50	2.52	4.2	5.5	165
CKL0307-120uH/K	120±10%	60	0.796	4.7	5.4	160

Special inquiries besides the above common used types can be met on your requirement.
超出以上规格的特殊要求也可满足。



■CKL0307 Series

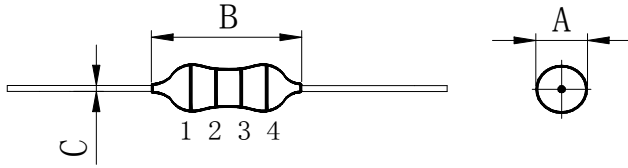


A	B	C
Ø3.0/3.2 Max	7.0 Max	Ø0.5±0.1

PART NUMBER 品名	Inductance (uH) 电感	Q (Min) Q值	Frequency (MHz) 测试频率	DCR (Max) (Ω) 直流电阻	SRF (Min) (MHz) 自谐频率	Rated Current (Max) (mA) 额定电流
CKL0307-150uH/K	150±10%	60	0.796	5.4	4.7	150
CKL0307-180uH/K	180±10%	60	0.796	6	4.3	140
CKL0307-220uH/K	220±10%	60	0.796	7	4	130
CKL0307-270uH/K	270±10%	60	0.796	7.7	3.7	120
CKL0307-330uH/K	330±10%	60	0.796	11.1	3.4	100
CKL0307-390uH/K	390±10%	60	0.796	12.6	2.8	95
CKL0307-470uH/K	470±10%	60	0.796	14	2.5	90
CKL0307-560uH/K	560±10%	60	0.796	15.5	2.3	85
CKL0307-680uH/K	680±10%	60	0.796	25.3	2	75
CKL0307-820uH/K	820±10%	60	0.796	27.5	1.5	65
CKL0307-1.0mH/K	1000±10%	50	0.796	31.4	1.2	60
CKL0307-1.2mH/K	1200±10%	50	0.252	37	0.9	50
CKL0307-1.5mH/K	1500±10%	45	0.252	39	0.8	40



■ CKL0410 Series



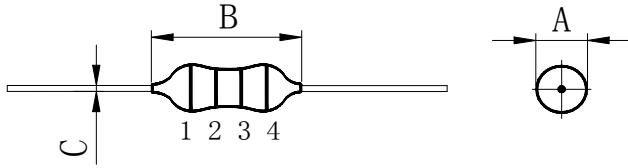
A	B	C
Ø4.0 Max	10.5 Max	Ø0.6±0.1

PART NUMBER 品名	Inductance (uH) 电感	Q (Min) Q值	Frequency (MHz) 测试频率	DCR (Max) (Ω) 直流电阻	SRF (Min) (MHz) 自谐频率	Rated Current (Max) (mA) 额定电流
CKL0410-0.27uH/M	0.27±20%	45	25.2	0.09	270	980
CKL0410-0.33uH/M	0.33±20%	45	25.2	0.1	250	980
CKL0410-0.39uH/M	0.39±20%	45	25.2	0.12	230	980
CKL0410-0.47uH	0.47±10%/±20%	45	25.2	0.13	220	980
CKL0410-0.56uH	0.56±10%/±20%	45	25.2	0.14	200	980
CKL0410-0.68uH	0.68±10%/±20%	45	25.2	0.15	190	980
CKL0410-0.82uH	0.82±10%/±20%	45	25.2	0.16	172	980
CKL0410-1.0uH/K	1.0±10%	45	25.2	0.17	157	920
CKL0410-1.2uH/K	1.2±10%	50	7.96	0.18	144	880
CKL0410-1.5uH/K	1.5±10%	50	7.96	0.2	130	830
CKL0410-1.8uH/K	1.8±10%	55	7.96	0.22	121	790
CKL0410-2.2uH/K	2.2±10%	55	7.96	0.24	110	750
CKL0410-2.7uH/K	2.7±10%	60	7.96	0.25	100	720
CKL0410-3.3uH/K	3.3±10%	65	7.96	0.3	94	670
CKL0410-3.9uH/K	3.9±10%	65	7.96	0.35	80	640
CKL0410-4.7uH/K	4.7±10%	70	7.96	0.4	80	620
CKL0410-5.6uH/K	5.6±10%	70	7.96	0.43	74	590
CKL0410-6.8uH/K	6.8±10%	75	7.96	0.48	68	550
CKL0410-8.2uH/K	8.2±10%	80	7.96	0.52	53	530
CKL0410-10uH/K	10±10%	80	7.96	0.58	40	500
CKL0410-12uH/K	12±10%	75	2.52	0.63	34	480
CKL0410-15uH/K	15±10%	70	2.52	0.72	20	460
CKL0410-18uH/K	18±10%	70	2.52	0.77	14	430
CKL0410-22uH/K	22±10%	50	2.52	0.84	9.9	410
CKL0410-27uH/K	27±10%	50	2.52	0.94	7.6	390
CKL0410-33uH/K	33±10%	50	2.52	1.03	6.3	370
CKL0410-39uH/K	39±10%	50	2.52	1.12	6.3	350
CKL0410-47uH/K	47±10%	45	2.52	1.22	6.3	340
CKL0410-56uH/K	56±10%	40	2.52	1.34	6.2	320
CKL0410-68uH/K	68±10%	40	2.52	1.47	5.7	305
CKL0410-82uH/K	82±10%	35	2.52	1.62	5.3	290
CKL0410-100uH/K	100±10%	30	2.52	1.8	4.8	275
CKL0410-120uH/K	120±10%	70	0.796	3	3.8	185

Special inquiries besides the above common used types can be met on your requirement.
超出以上规格的特殊要求也可满足。



■CKL0410 Series



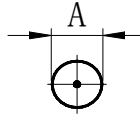
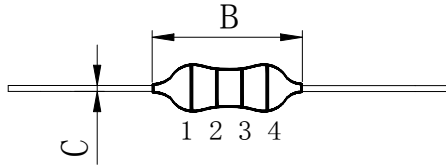
A	B	C
Ø4.0 Max	10.5 Max	Ø0.6±0.1

PART NUMBER 品名	Inductance (uH) 电感	Q (Min) Q值	Frequency (MHz) 测试频率	DCR (Max) (Ω) 直流电阻	SRF (Min) (MHz) 自谐频率	Rated Current (Max) (mA) 额定电流
CKL0410-150uH/K	150±10%	70	0.796	4.2	3.5	175
CKL0410-180uH/K	180±10%	70	0.796	4.6	3.3	165
CKL0410-220uH/K	220±10%	70	0.796	5.1	3	155
CKL0410-270uH/K	270±10%	65	0.796	6	2.8	145
CKL0410-330uH/K	330±10%	65	0.796	6.4	2.6	137
CKL0410-390uH/K	390±10%	65	0.796	7	2.4	133
CKL0410-470uH/K	470±10%	60	0.796	7.7	2.25	126
CKL0410-560uH/K	560±10%	60	0.796	8.5	2.1	120
CKL0410-680uH/K	680±10%	55	0.796	9.4	1.9	113
CKL0410-820uH/K	820±10%	55	0.796	12	1.85	105
CKL0410-1.0mH/K	1000±10%	50	0.796	17.4	1.4	100
CKL0410-1.2mH/K	1200±10%	50	0.252	20	1.2	90
CKL0410-1.5mH/K	1500±10%	30	0.252	25	1	85
CKL0410-1.8mH/K	1800±10%	30	0.252	30	0.9	80
CKL0410-2.2mH/K	2200±10%	30	0.252	35	0.8	75
CKL0410-2.7mH/K	2700±10%	30	0.252	40	0.7	70
CKL0410-3.3mH/K	3300±10%	30	0.252	65	0.65	65
CKL0410-3.9mH/K	3900±10%	30	0.252	71	0.65	50
CKL0410-4.7mH/K	4700±10%	30	0.252	78	0.6	40
CKL0410-5.6mH/K	5600±10%	30	0.252	100	0.56	30
CKL0410-6.8mH/K	6800±10%	30	0.252	125	0.54	30

Special inquiries besides the above common used types can be met on your requirement.
超出以上规格的特殊要求也可满足。



■CKL0412 Series



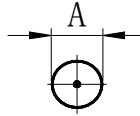
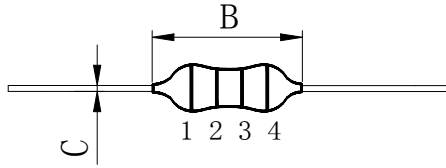
A	B	C
Ø4.5/5.0 Max	12.7 Max	Ø0.65±0.1

PART NUMBER 品名	Inductance (uH) 电感	Frequency (MHz) 测试频率	DCR (Max) (Ω) 直流电阻	SRF (Ref.) (MHz) 自谐频率	Isat. (Max)(mA) 饱和电流	Irms. (Max)(mA) 温升电流
CKL0412-1.0uH	1.0±10%/±20%	7.96	0.018	190	3000	3300
CKL0412-1.2uH	1.2±10%/±20%	7.96	0.019	170	2700	3200
CKL0412-1.5uH	1.5±10%/±20%	7.96	0.02	160	2500	3100
CKL0412-1.8uH	1.8±10%/±20%	7.96	0.023	150	2100	2900
CKL0412-2.2uH	2.2±10%/±20%	7.96	0.031	130	2000	2600
CKL0412-2.7uH	2.7±10%/±20%	7.96	0.033	120	1900	2500
CKL0412-3.3uH	3.3±10%/±20%	7.96	0.054	110	1700	1900
CKL0412-3.9uH	3.9±10%/±20%	7.96	0.06	100	1500	1800
CKL0412-4.7uH	4.7±10%/±20%	7.96	0.068	86	1400	1700
CKL0412-5.6uH	5.6±10%/±20%	7.96	0.074	64	1300	1600
CKL0412-6.8uH	6.8±10%/±20%	7.96	0.08	44	1200	1600
CKL0412-8.2uH	8.2±10%/±20%	7.96	0.087	32	1100	1500
CKL0412*10uH/K	10±10%	1kHz	0.095	25	970	1500
CKL0412*12uH/K	12±10%	1kHz	0.11	17	880	1400
CKL0412*15uH/K	15±10%	1kHz	0.15	13	790	1200
CKL0412*18uH/K	18±10%	1kHz	0.16	10	710	1100
CKL0412*22uH/K	22±10%	1kHz	0.19	8.4	640	1000
CKL0412*27uH/K	27±10%	1kHz	0.22	8	580	950
CKL0412*33uH/K	33±10%	1kHz	0.24	7.6	530	910
CKL0412*39uH/K	39±10%	1kHz	0.26	7.1	480	880
CKL0412*47uH/K	47±10%	1kHz	0.35	6	430	790
CKL0412*56uH/K	56±10%	1kHz	0.47	5.8	400	650
CKL0412*68uH/K	68±10%	1kHz	0.53	4.3	370	610
CKL0412*82uH/K	82±10%	1kHz	0.6	4.1	330	580
CKL0412*100uH/K	100±10%	1kHz	0.67	3.9	300	550
CKL0412*120uH/K	120±10%	1kHz	0.9	3.6	270	470
CKL0412*150uH/K	150±10%	1kHz	1.2	3.2	250	410

Special inquiries besides the above common used types can be met on your requirement.
超出以上规格的特殊要求也可满足。



■CKL0412 Series



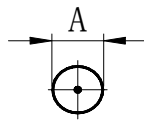
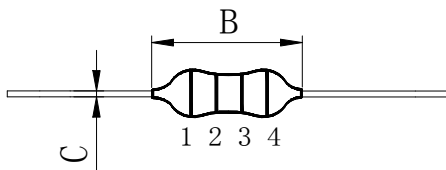
A	B	C
Ø4.5/5.0 Max	12.7 Max	Ø0.65±0.1

PART NUMBER 品名	Inductance (uH) 电感	Frequency (MHz) 测试频率	DCR (Max) (Ω) 直流电阻	SRF (Ref.) (MHz) 自谐频率	Isat. (Max)(mA) 饱和电流	Irms. (Max)(mA) 温升电流
CKL0412*180uH/K	180±10%	1kHz	1.4	2.8	220	380
CKL0412*220uH/K	220±10%	1kHz	1.9	2.3	200	320
CKL0412*270uH/K	270±10%	1kHz	2.1	2.1	180	310
CKL0412*330uH/K	330±10%	1kHz	2.4	1.9	170	290
CKL0412*390uH/K	390±10%	1kHz	3	1.7	150	260
CKL0412*470uH/K	470±10%	1kHz	3.4	1.4	140	240
CKL0412*560uH/K	560±10%	1kHz	4.7	1.3	130	210
CKL0412*680uH/K	680±10%	1kHz	6.4	1.2	110	180
CKL0412*820uH/K	820±10%	1kHz	7.1	1.1	100	170
CKL0412*1.0mH/K	1000±10%	1kHz	7.9	1	95	160
CKL0412*1.2mH/K	1200±10%	1kHz	9	0.94	87	150
CKL0412*1.5mH/K	1500±10%	1kHz	12	0.76	78	130
CKL0412*1.8mH/K	1800±10%	1kHz	14	0.72	71	120
CKL0412*2.2mH/K	2200±10%	1kHz	19	0.64	64	100
CKL0412*2.7mH/K	2700±10%	1kHz	25	0.56	58	90
CKL0412*3.3mH/K	3300±10%	1kHz	29	0.53	52	83
CKL0412*3.9mH/K	3900±10%	1kHz	34	0.48	48	77
CKL0412*4.7mH/K	4700±10%	1kHz	37	0.45	44	74
CKL0412*5.6mH/K	5600±10%	1kHz	50	0.4	40	63
CKL0412*6.8mH/K	6800±10%	1kHz	58	0.36	36	59
CKL0412*8.2mH/K	8200±10%	1kHz	68	0.29	33	54
CKL0412*10mH/K	10000±10%	1kHz	75	0.27	30	52

Special inquiries besides the above common used types can be met on your requirement.
超出以上规格的特殊要求也可满足。



■CKL0510 Series



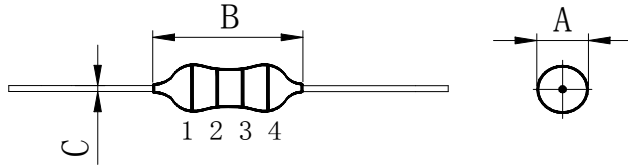
A	B	C
Ø5.0 Max	11.0 Max	Ø0.6±0.1

PART NUMBER 品名	Inductance (uH) 电感	Q (Min) Q值	Frequency (MHz) 测试频率	DCR (Max) (Ω) 直流电阻	SRF (Min) (MHz) 自谐频率	Rated Current (Max) (mA) 额定电流
CKL0510-4.7uH/K	4.7±10%	20	7.96	0.06	50	900
CKL0510-10uH/K	10±10%	15	7.96	0.45	30	750
CKL0510-22uH/K	22±10%	30	2.52	0.65	8	450
CKL0510-82uH/K	82±10%	20	2.52	0.82	3.8	330
CKL0510-100uH/K	100±10%	20	2.52	0.75	3.5	300
CKL0510-120uH/K	120±10%	20	0.796	1.2	3.3	250
CKL0510-150uH/K	150±10%	20	0.796	1.8	3.2	225
CKL0510-180uH/K	180±10%	20	0.796	2	2.8	200
CKL0510-220uH/K	220±10%	30	0.796	2.1	2.6	180
CKL0510-270uH/K	270±10%	30	0.796	2.5	2.4	170
CKL0510-330uH/K	330±10%	30	0.796	3	2.2	160
CKL0510-390uH/K	390±10%	30	0.796	3.5	2	150
CKL0510-470uH/K	470±10%	30	0.796	4	1.9	140
CKL0510-560uH/K	560±10%	30	0.796	5.4	1.8	130
CKL0510-680uH/K	680±10%	40	0.796	6	1.5	120
CKL0510-820uH/K	820±10%	50	0.796	7.5	1.2	110
CKL0510-1.0mH/K	1000±10%	50	0.252	8	1	100
CKL0510-1.2mH/K	1200±10%	60	0.252	14.5	0.95	95
CKL0510-1.5mH/K	1500±10%	60	0.252	16.5	0.9	90
CKL0510-1.8mH/K	1800±10%	60	0.252	19	0.9	85
CKL0510-2.2mH/K	2200±10%	60	0.252	27.5	0.8	80
CKL0510-2.7mH/K	2700±10%	60	0.252	40	0.75	75
CKL0510-3.3mH/K	3300±10%	50	0.252	50	0.7	62
CKL0510-3.9mH/K	3900±10%	50	0.252	53	0.65	59
CKL0510-4.7mH/K	4700±10%	50	0.252	60	0.6	55
CKL0510-5.6mH/K	5600±10%	50	0.252	64	0.5	40
CKL0510-6.8mH/K	6800±10%	50	0.252	73	0.45	35
CKL0510-8.2mH/K	8200±10%	30	0.252	80	0.4	30
CKL0510-10mH/K	10000±10%	25	79.6k	132	0.35	25
CKL0510-12mH/K	12000±10%	25	79.6k	143	0.3	20
CKL0510-15mH/K	15000±10%	25	79.6k	166	0.25	18
CKL0510-18mH/K	18000±10%	25	79.6k	185	0.2	15
CKL0510-22mH/K	22000±10%	20	1k/79.6k	330	0.15	12
CKL0510-27mH/K	27000±10%	20	1k/79.6k	370	0.1	10
CKL0510-30mH/K	30000±10%	40	1k/79.6k	240	0.25	10

Special inquiries besides the above common used types can be met on your requirement.
超出以上规格的特殊要求也可满足。



■CKL0512 Series



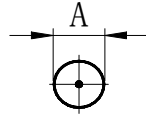
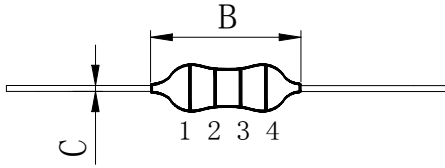
A	B	C
Ø5.0 Max	12.0 Max	Ø0.6±0.1

PART NUMBER 品名	Inductance (uH) 电感	Q (Min) Q值	Frequency (MHz) 测试频率	DCR (Max) (Ω) 直流电阻	SRF (Min) (MHz) 自谐频率	Rated Current (Max) (mA) 额定电流
CKL0512-22uH/K	22±10%	30	2.52M	0.35	8	550
CKL0512-100uH/K	100±10%	10	2.52M	0.5	3.5	300
CKL0512-220uH/K	220±10%	10	0.796M	2.1	2.6	160
CKL0512-330uH/K	330±10%	30	0.796M	2.5	2.2	130
CKL0512-390uH/K	390±10%	30	0.796M	2.8	2	125
CKL0512-470uH/K	470±10%	30	1k/0.796M	3	1.9	120
CKL0512-560uH/K	560±10%	30	0.796M	4.5	1.8	115
CKL0512-680uH/K	680±10%	30	0.796M	4.6	1.5	110
CKL0512-820uH/K	820±10%	30	0.796M	5	1.2	105
CKL0512-1.0mH/K	1000±10%	50	1k/0.252M	5	1	100
CKL0512-1.2mH/K	1200±10%	60	0.252M	14.5	0.95	90
CKL0512-1.5mH/K	1500±10%	60	0.252M	16.5	0.9	85
CKL0512-1.8mH/K	1800±10%	60	0.252M	19	0.9	80
CKL0512-2.2mH/K	2200±10%	60	1k/0.252M	27.5	0.8	70
CKL0512-2.7mH/K	2700±10%	60	0.252M	40	0.75	65
CKL0512-3.3mH/K	3300±10%	50	0.252M	50	0.7	60
CKL0512-3.9mH/K	3900±10%	50	0.252M	53	0.65	55
CKL0512-4.7mH/K	4700±10%	50	0.252M	60	0.6	50
CKL0512-5.6mH/K	5600±10%	50	1k/0.252M	64	0.5	45
CKL0512-6.8mH/K	6800±10%	40	0.252M	73	0.45	40
CKL0512-8.2mH/K	8200±10%	30	0.252M	80	0.4	30
CKL0512-10mH/K	10000±10%	30	79.6k	132	0.35	25

Special inquiries besides the above common used types can be met on your requirement.
超出以上规格的特殊要求也可满足。



■CKL0514 Series



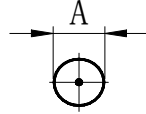
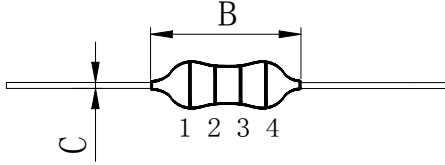
A	B	C
Ø5.0/5.5 Max	14/15 Max	Ø0.65±0.1

PART NUMBER 品名	Inductance (uH) 电感	Q (Min) Q值	Frequency (MHz) 测试频率	DCR (Max) (Ω) 直流电阻	SRF (Ref.) (MHz) 自谐频率	Isat. (Max)(mA) 饱和电流	Irms. (Max)(mA) 温升电流
CKL0514-1.0uH	1.0±10%/±20%	10	7.96	0.022	300	5600	3800
CKL0514-1.2uH	1.2±10%/±20%	10	7.96	0.024	260	5500	3700
CKL0514-1.5uH	1.5±10%/±20%	10	7.96	0.026	250	5000	3600
CKL0514-1.8uH	1.8±10%/±20%	10	7.96	0.029	240	4700	3100
CKL0514-2.2uH	2.2±10%/±20%	10	7.96	0.031	220	4500	2900
CKL0514-2.7uH	2.7±10%/±20%	10	7.96	0.034	195	4000	2700
CKL0514-3.3uH	3.3±10%/±20%	10	7.96	0.038	155	3400	2600
CKL0514-3.9uH	3.9±10%/±20%	10	7.96	0.040	115	3100	2500
CKL0514-4.7uH	4.7±10%/±20%	10	7.96	0.044	85	2800	2400
CKL0514-5.6uH	5.6±10%/±20%	10	7.96	0.048	55	2600	2100
CKL0514-6.8uH	6.8±10%/±20%	10	7.96	0.051	50	2400	2000
CKL0514-8.2uH	8.2±10%/±20%	10	7.96	0.056	38	2200	1950
CKL0514-10uH/K	10±10%	10	7.96	0.062	24	2100	1900
CKL0514-12uH/K	12±10%	10	2.52	0.076	18	1800	1800
CKL0514-15uH/K	15±10%	10	2.52	0.088	16	1700	1700
CKL0514-18uH/K	18±10%	10	2.52	0.11	15	1600	1600
CKL0514-22uH/K	22±10%	10	2.52	0.13	14	1400	1550
CKL0514-27uH/K	27±10%	10	2.52	0.14	13	1300	1300
CKL0514-33uH/K	33±10%	10	2.52	0.20	11	1200	1200
CKL0514-39uH/K	39±10%	10	2.52	0.22	10	1100	1000
CKL0514-43uH/K	43±10%	10	2.52	0.28	9.5	1000	950
CKL0514-47uH/K	47±10%	10	2.52	0.28	9.5	1000	950
CKL0514-56uH/K	56±10%	10	2.52	0.30	8	900	900
CKL0514-68uH/K	68±10%	10	2.52	0.34	7.5	800	800
CKL0514-82uH/K	82±10%	10	2.52	0.385	7	700	750
CKL0514-100uH/K	100±10%	10	2.52	0.48	6.5	700	700
CKL0514-120uH/K	120±10%	15	0.796	0.595	5	600	600
CKL0514-150uH/K	150±10%	15	0.796	0.90	4.5	550	500
CKL0514-180uH/K	180±10%	15	0.796	1.10	4	500	400
CKL0514-220uH/K	220±10%	15	0.796	1.25	3.8	440	390
CKL0514-270uH/K	270±10%	15	0.796	1.85	3.5	420	330
CKL0514-330uH/K	330±10%	15	0.796	2.10	3.0	380	310

Special inquiries besides the above common used types can be met on your requirement.
超出以上规格的特殊要求也可满足。



■CKL0514 Series



A	B	C
Ø5.0/5.5 Max	14/15 Max	Ø0.65±0.1

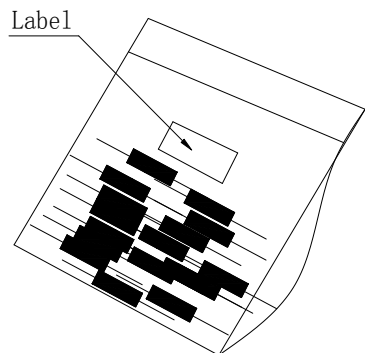
PART NUMBER 品名	Inductance (uH) 电感	Q (Min) Q值	Frequency (MHz) 测试频率	DCR (Max) (Ω) 直流电阻	SRF (Ref.) (MHz) 自谐频率	Isat. (Max)(mA) 饱和电流	Irms. (Max)(mA) 温升电流
CKL0514-390uH/K	390±10%	15	0.796	2.28	2.8	340	300
CKL0514-470uH/K	470±10%	15	0.796	3.22	2.5	320	280
CKL0514-560uH/K	560±10%	15	0.796	3.85	2.2	290	270
CKL0514-680uH/K	680±10%	15	0.796	4.00	2.1	260	240
CKL0514-820uH/K	820±10%	15	0.796	5.00	2.0	250	230
CKL0514-1.0mH/K	1000±10%	15	0.252	5.80	1.8	220	190
CKL0514-1.2mH/K	1200±10%	15	0.252	7.10	1.6	200	180
CKL0514-1.5mH/K	1500±10%	15	0.252	7.80	1.5	190	170
CKL0514-2.2mH/K	2200±10%	35	0.252	20.0	1.0	140	140
CKL0514-3.3mH/K	3300±10%	35	0.252	27.0	0.8	130	120
CKL0514-4.7mH/K	4700±10%	30	0.252	30.0	0.7	120	100
CKL0514-5.6mH/K	5600±10%	15	0.252	30.0	0.5	100	90
CKL0514-6.8mH/K	6800±10%	15	0.252	30.0	0.4	90	80
CKL0514-8.2mH/K	8200±10%	15	0.252	37.5	0.4	80	70
CKL0514-10mH/K	10000±10%	15	79.6kHz	42.0	0.4	70	60

Special inquiries besides the above common used types can be met on your requirement.
超出以上规格的特殊要求也可满足。



● **Packaging 包装方式**

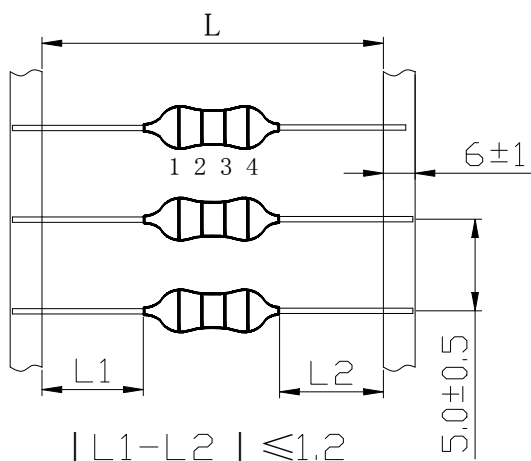
1. Bulk 散装(B)



Dimension of Bag:160mm*170mm

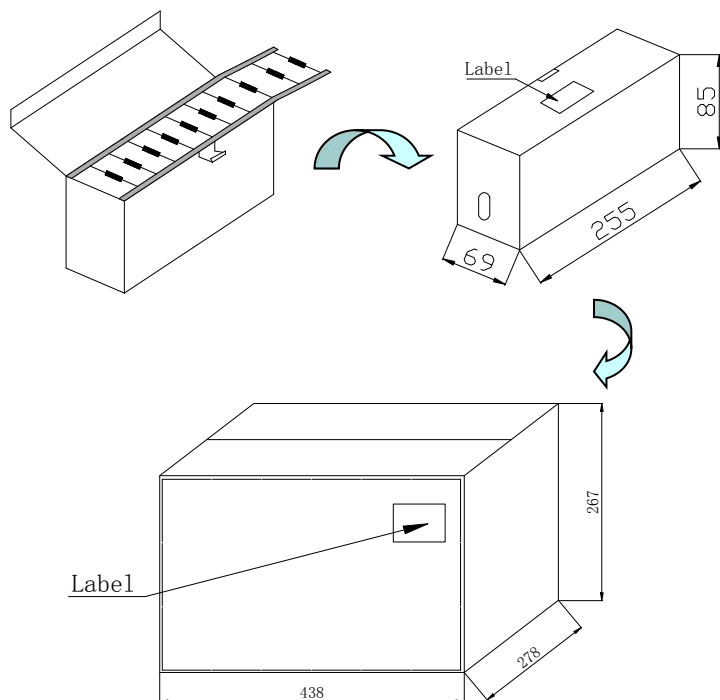
Type	Quantity per Bag
CKL0204	1,000 Pcs
CKL0307	1,000 Pcs
CKL0410	1,000 Pcs
CKL0412	1,000 Pcs
CKL0510	500 Pcs
CKL0512	500 Pcs
CKL0514	500 Pcs

2. Specification of Tape 编带尺寸



Item	Dimension(mm)
L	52.4±1.5

3. Ammunition Pack (Package Defaults) 直脚编带盒装 (产品默认包装方式) (T)



Type	Quantity(Pcs)		Remark
	Box	Carton	
CKL0204	3,000	54,000	
CKL0307	3,000	54,000	
CKL0307*	2,500	45,000	A:Ø3.2
CKL0410	1,500	27,000	
CKL0412	1,000	18,000	
CKL0510	1,000	18,000	
CKL0512	1,000	18,000	
CKL0514	1,000	18,000	



4. Taping and Reel Rack 卷式包装(TR)

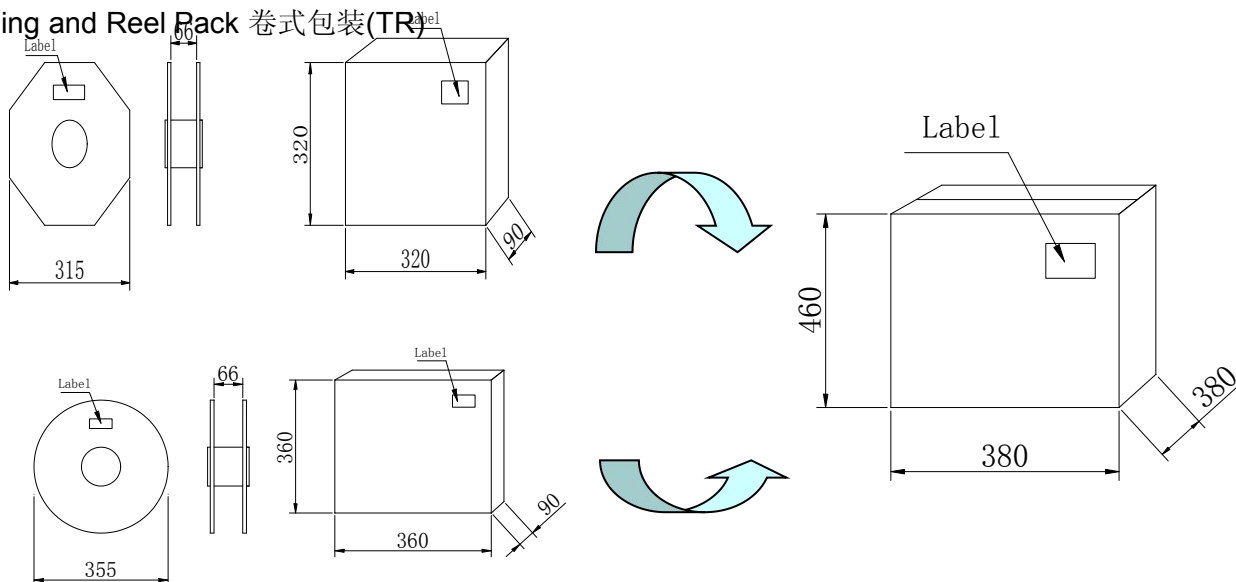
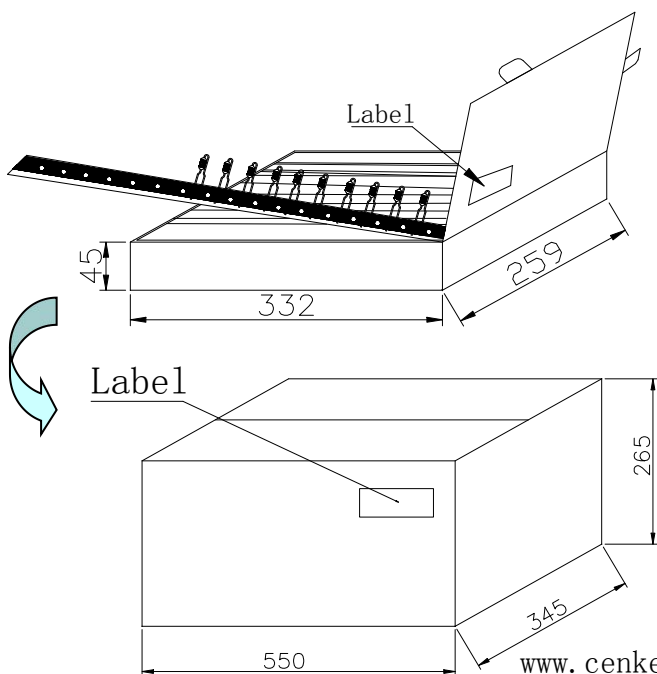


Figure2

Type	Quantity(Pcs)		Figure
	Reel(Box)	Carton	
CKL0204	5,000	25,000	1
CKL0307	5,000	25,000	1
CKL0410	5,000	25,000	2
CKL0412	4,000	20,000	2
CKL0510	3,000	15,000	2
CKL0512	3,000	15,000	2
CKL0514	3,000	15,000	2

5. Forming and Taping Pack 成型编带包装



Type	Quantity(Pcs)	
	Box	Carton
CKL0204	3,000	30,000
CKL0307	3,000	30,000
CKL0410	3,000	30,000
CKL0412	2,500	25,000
CKL0510	2,500	25,000

X-ON Electronics

Largest Supplier of Electrical and Electronic Components

Click to view similar products for [Fixed Inductors](#) category:

Click to view products by [CENKER](#) manufacturer:

Other Similar products are found below :

[CR32NP-100KC](#) [CR54NP-470LC](#) [70F224AI](#) [MGDQ4-00004-P](#) [MHQ1005P10NJ](#) [MHQ1005P1N0S](#) [MHQ1005P2N4S](#) [MHQ1005P3N6S](#)
[MHQ1005P5N1S](#) [MHQ1005P8N2J](#) [PE-53601NL](#) [PE-53602NL](#) [PG0936.113NLT](#) [9220-20](#) [9310-16](#) [PM06-2N7](#) [PM06-39NJ](#) [A01TK](#)
[1206CS-471XJ](#) [HC2-R47-R](#) [HC8-1R2-R](#) [HCF1305-3R3-R](#) [1206CS-151XG](#) [RCH664NP-140L](#) [RCH664NP-4R7M](#) [RCP1317NP-391L](#)
[RCR110DNP-331L](#) [DH2280-4R7M](#) [DS1608C-106](#) [B10TJ](#) [B82498B3101J000](#) [ELJ-RE27NJF2](#) [1812CS-153XJ](#) [1812CS-183XJ](#) [1812CS-](#)
[223XJ](#) [1812LS-104XJ](#) [1812LS-105XJ](#) [1812LS-124XJ](#) [1812LS-154XJ](#) [1812LS-223XJ](#) [1812LS-224XJ](#) [1812LS-563XJ](#) [1812LS-683XJ](#)
[1812LS-824XJ](#) [NIN-FB101JTR110F](#) [NIN-FB471JTR62F](#) [NIN-FC1R5JTR220F](#) [NIN-HCR15JTRF](#) [NIN-HCR33JTRF](#) [NIN-HDR22JTRF](#)