

## Axial Fixed Inductor - CKL

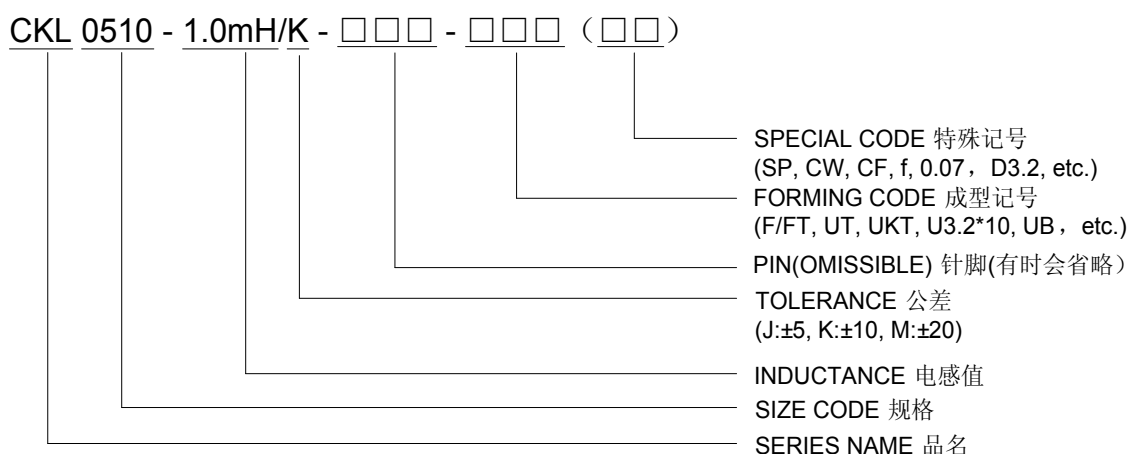
### ● Features 特性

1. Design to be compact, small and light-weight, wide range of inductance. 感量范围宽，尺寸小，重量轻。
2. Contribute to be high Q and self-resonent frequencies, tapping type that is convenient for automatic insertion, coating epoxy resin that ensure the humidity resistance to be long life. 高Q和SRF值，卷装适用于自动插件，使用寿命长。

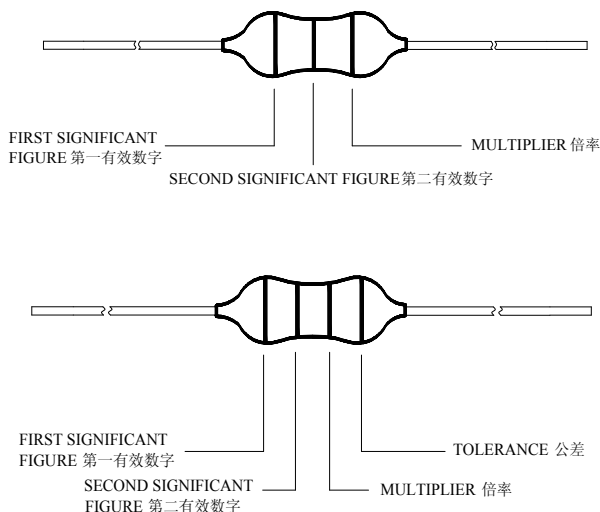
### ● Applications 用途

For TV, radios and radio transceivers, telephones. 用于TV、音响，收音机，电话机。  
Others various electronic products. 用其他各种电子产品上。

### ● Part Numbering System 品名系统



### ● Color Coding 颜色编码



The nominal inductance is marked. Color code listed in table below. 标称电感值用色码编码表示如下表所示。

| Color<br>颜色 | Nominal Inductance(uH)标称电感值(微亨) |            |            |           |
|-------------|---------------------------------|------------|------------|-----------|
|             | 1st Figure                      | 2nd Figure | Multiplier | Tolerance |
| Black 黑     | 0                               |            | ×1         | ±20%      |
| Brown 棕     | 1                               |            | ×10        | —         |
| Red 红       | 2                               |            | ×100       | —         |
| Orange 橙    | 3                               |            | ×1000      | —         |
| Yellow 黄    | 4                               |            | —          | —         |
| Green 绿     | 5                               |            | —          | —         |
| Blue 蓝      | 6                               |            | —          | —         |
| Violet 紫    | 7                               |            | —          | —         |
| Gray 灰      | 8                               |            | —          | —         |
| White 白     | 9                               |            | —          | —         |
| Gold 金      | —                               |            | ×0.1       | ±5%       |
| Silver 银    | —                               |            | ×0.01      | ±10%      |



● Appearance Dimensions 外观尺寸

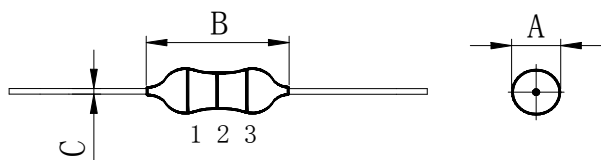


Figure 1

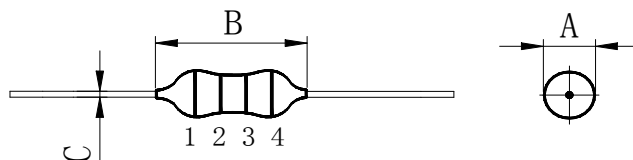


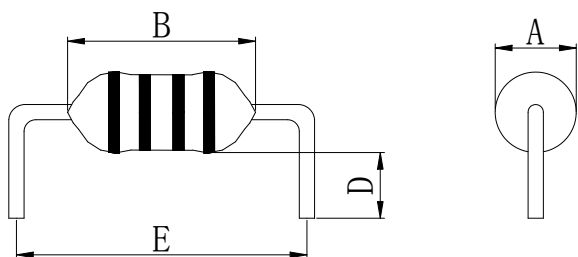
Figure 2

| Type    | Dimension(mm) |           |          | Figure |
|---------|---------------|-----------|----------|--------|
|         | A(Max)        | B(Max)    | C*(±0.1) |        |
| CKL0204 | Ø2.8          | 4.8       | Ø0.45    | 1      |
| CKL0307 | Ø3.0/Ø3.2     | 7.0       | Ø0.50    | 2      |
| CKL0410 | Ø4.0          | 10.5      | Ø0.60    | 2      |
| CKL0412 | Ø4.5/5.0      | 12.7      | Ø0.65    | 2      |
| CKL0510 | Ø5.0          | 11.0      | Ø0.60    | 2      |
| CKL0512 | Ø5.0          | 12.0      | Ø0.60    | 2      |
| CKL0514 | Ø5.0/5.5      | 14.0/15.0 | Ø0.65    | 2      |

C\*It depends on the actual situation.视情况定。

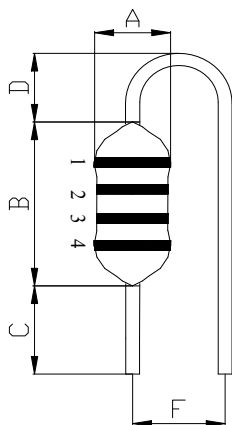
● Appearance Dimensions of Forming 成型外观尺寸

1.U-forming(Horizontal) U形成型(卧式)(UX\*X)



| Type    | Dimension(mm) |           |        |         |
|---------|---------------|-----------|--------|---------|
|         | A(Max)        | B(Max)    | D(Min) | E       |
| CKL0204 | Ø2.8          | 4.8       | 2.4    | 7.5~12  |
| CKL0307 | Ø3.0/Ø3.2     | 7.0       | 2.4    | 10~15   |
| CKL0410 | Ø4.0          | 10.5      | 2.4    | 12.5~20 |
| CKL0412 | Ø4.5/5.0      | 12.7      | 2.4    | 15~20   |
| CKL0510 | Ø5.0          | 11.0      | 2.4    | 12.5~20 |
| CKL0512 | Ø5.0          | 12.0      | 2.4    | 15~20   |
| CKL0514 | Ø5.0/5.5      | 14.0/15.0 | 2.4    | 17.5~25 |

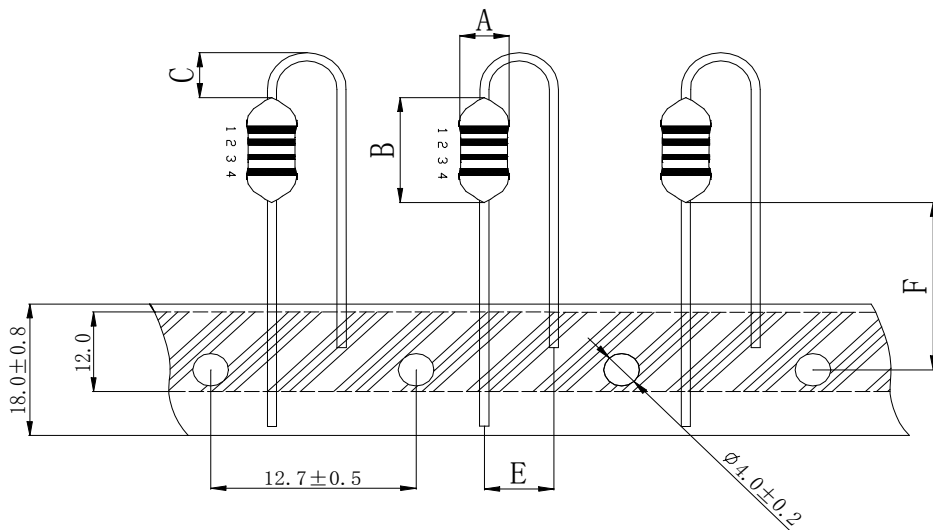
2.U-forming(Vertical) U形成型(立式)(UB)



| Type    | Dimension(mm) |           |         |        |             |
|---------|---------------|-----------|---------|--------|-------------|
|         | A(Max)        | B(Max)    | C       | D(Max) | F           |
| CKL0204 | Ø2.8          | 4.8       | 3.0~6.0 | 3.0    | 2.5         |
| CKL0307 | Ø3.0/Ø3.2     | 7.0       | 3.0~6.0 | 3.0    | 2.5         |
| CKL0410 | Ø4.0          | 10.5      | 3.0~6.0 | 3.0    | 2.5/3.5/5.0 |
| CKL0412 | Ø4.5/5.0      | 12.7      | 3.0~5.0 | 3.0    | 5.0         |
| CKL0510 | Ø5.0          | 11.0      | 3.0~6.0 | 3.0    | 5.0         |
| CKL0512 | Ø5.0          | 12.0      | 3.0~5.0 | 3.0    | 5.0         |
| CKL0514 | Ø5.0/5.5      | 14.0/15.0 | 2.5~4.0 | 3.0    | 5.0         |

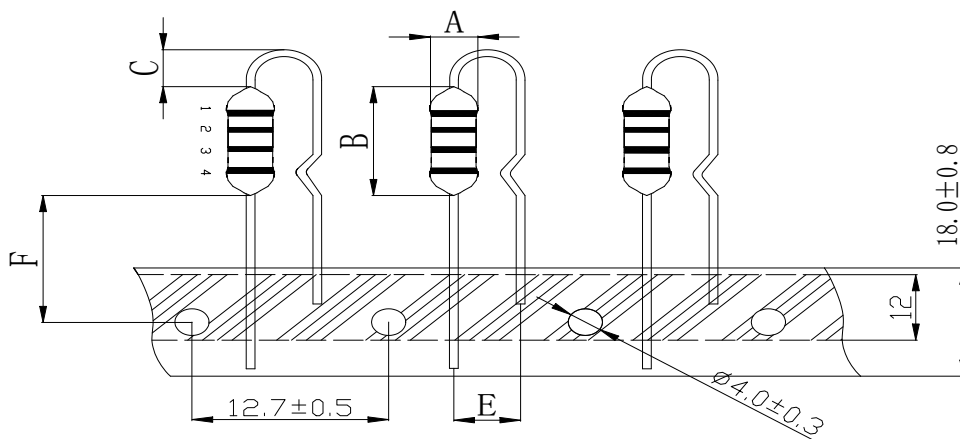


3.U-forming and Taping U成型编带(UT)



| Type    | Dimension(mm) |        |        |             |         |
|---------|---------------|--------|--------|-------------|---------|
|         | A(Max)        | B(Max) | C(Max) | E           | F(±2.0) |
| CKL0204 | Ø2.8          | 4.8    | 3.0    | 2.5         | 22.0    |
| CKL0307 | Ø3.0/Ø3.2     | 7.0    | 3.0    | 2.5/5.0     | 20.0    |
| CKL0410 | Ø4.0          | 10.5   | 3.0    | 2.5/3.5/5.0 | 18.5    |
| CKL0412 | Ø4.5/5.0      | 12.7   | 3.0    | 5.0         | 17.5    |
| CKL0510 | Ø5.0          | 11.0   | 3.0    | 5.0         | 18.5    |
| CKL0512 | Ø5.0          | 12.0   | 3.0    | 5.0         | 17.5    |

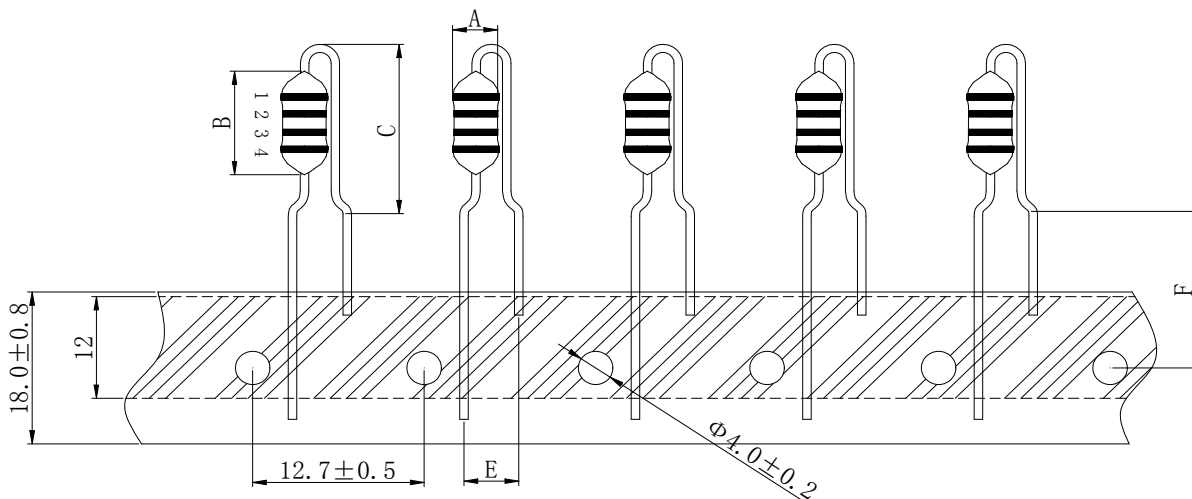
4.UK-forming and Taping UK成型编带(UKT)



| Type    | Dimension(mm) |        |        |     |         |
|---------|---------------|--------|--------|-----|---------|
|         | A(Max)        | B(Max) | C(Max) | E   | F(±2.0) |
| CKL0307 | Ø3.0/Ø3.2     | 7.0    | 3.0    | 5.0 | 20.0    |
| CKL0410 | Ø4.0          | 10.5   | 3.0    | 5.0 | 18.0    |
| CKL0412 | Ø4.5/5.0      | 12.7   | 3.0    | 5.0 | 17.0    |
| CKL0510 | Ø5.0          | 11.0   | 3.0    | 5.0 | 18.0    |
| CKL0512 | Ø5.0          | 12.0   | 3.0    | 5.0 | 17.0    |



5.R-forming and Taping R成型编带(F/FT)



| Type    | Dimension(mm) |        |        |     |          |
|---------|---------------|--------|--------|-----|----------|
|         | A(Max)        | B(Max) | C(Max) | E   | F        |
| CKL0307 | Ø3.0/Ø3.2     | 7.0    | 12.5   | 5.0 | 17.5±1.5 |
| CKL0410 | Ø4.0          | 10.5   | 13.5   | 5.0 | 17.5±1.5 |
| CKL0412 | Ø4.5/5.0      | 12.7   | 16.5   | 5.0 | 15.0Min  |
| CKL0510 | Ø5.0          | 11.0   | 14.5   | 5.0 | 17.5±1.5 |
| CKL0512 | Ø5.0          | 12.0   | 16.0   | 5.0 | 15.0Min  |

● **Electrical Characteristics** 电气特性

- (1) Isat: DC current at which the inductance drops approximate 10% from its value without current;
- (2) Irms: DC current that causes the temperature rise ( $\Delta T \leq 40^{\circ}\text{C}$ ) from  $25^{\circ}\text{C}$  ambient.
- (3) Rated Current: It is either the inductance is 10% lower than its initial value in DC saturation characteristics or temperature raise becomes  $\Delta T=40^{\circ}\text{C}$  ( $T_a=25^{\circ}\text{C}$ ), whichever is lower.
- (4) Operating Temperature Ranges:  $-25\sim 85^{\circ}\text{C}$ .
- (5) Dielectric with standing voltage: 250V AC r.m.s.

● **Test Equipments** 测试设备

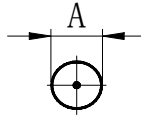
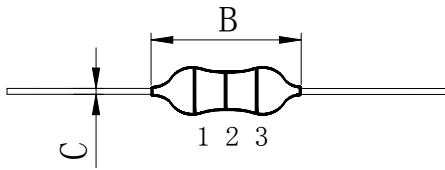
- (1) Inductance(L): HP 4284A/HM 9481/CD 1063/HP 4291A;
- (2) Q: HP 4284A/HM 9481;
- (3) DCR: CH 502A/CH 502BC;
- (4) SRF: HM 9461;
- (5) Rated Current/Isat./Irms.: HP 4284+HP 4284A/CD 1068+CD 1320.

Test Condition: at  $25^{\circ}\text{C}$ , 75%H.



● Electrical Parameters 电气参数

■ CKL0204 Series



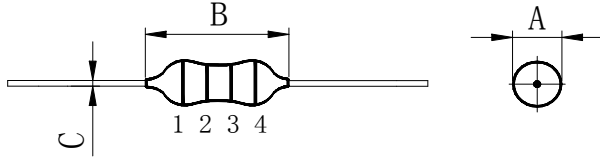
| A        | B       | C         |
|----------|---------|-----------|
| Ø2.8 Max | 4.8 Max | Ø0.45±0.1 |

| PART NUMBER<br>品名 | Inductance<br>(uH) 电感 | Q (Min)<br>Q值 | Frequency<br>(MHz)<br>测试频率 | DCR (Max)<br>(Ω)<br>直流电阻 | SRF (Min)<br>(MHz)<br>自谐频率 | Rated Current<br>(Max) (mA)<br>额定电流 |
|-------------------|-----------------------|---------------|----------------------------|--------------------------|----------------------------|-------------------------------------|
| CKL0204-0.22uH/M  | 0.22±20%              | 35            | 25.2                       | 0.4                      | 150                        | 400                                 |
| CKL0204-0.27uH/M  | 0.27±20%              | 35            | 25.2                       | 0.43                     | 150                        | 380                                 |
| CKL0204-0.33uH/M  | 0.33±20%              | 35            | 25.2                       | 0.48                     | 150                        | 370                                 |
| CKL0204-0.39uH/M  | 0.39±20%              | 35            | 25.2                       | 0.51                     | 150                        | 350                                 |
| CKL0204-0.47uH    | 0.47±10%/±20%         | 35            | 25.2                       | 0.56                     | 150                        | 330                                 |
| CKL0204-0.56uH    | 0.56±10%/±20%         | 35            | 25.2                       | 0.61                     | 150                        | 320                                 |
| CKL0204-0.68uH    | 0.68±10%/±20%         | 35            | 25.2                       | 0.67                     | 150                        | 310                                 |
| CKL0204-0.82uH    | 0.82±10%/±20%         | 35            | 25.2                       | 0.74                     | 150                        | 290                                 |
| CKL0204-1.0uH/K   | 1.0±10%               | 35            | 25.2                       | 0.8                      | 150                        | 270                                 |
| CKL0204-1.2uH/K   | 1.2±10%               | 40            | 7.96                       | 0.9                      | 110                        | 260                                 |
| CKL0204-1.5uH/K   | 1.5±10%               | 40            | 7.96                       | 1                        | 80                         | 250                                 |
| CKL0204-1.8uH/K   | 1.8±10%               | 40            | 7.96                       | 1.1                      | 60                         | 240                                 |
| CKL0204-2.2uH/K   | 2.2±10%               | 40            | 7.96                       | 1.2                      | 45                         | 230                                 |
| CKL0204-2.7uH/K   | 2.7±10%               | 40            | 7.96                       | 1.3                      | 40                         | 220                                 |
| CKL0204-3.3uH/K   | 3.3±10%               | 40            | 7.96                       | 1.4                      | 38                         | 210                                 |
| CKL0204-3.9uH/K   | 3.9±10%               | 40            | 7.96                       | 1.5                      | 36                         | 200                                 |
| CKL0204-4.7uH/K   | 4.7±10%               | 40            | 7.96                       | 1.7                      | 32                         | 190                                 |
| CKL0204-5.6uH/K   | 5.6±10%               | 40            | 7.96                       | 1.9                      | 30                         | 180                                 |
| CKL0204-6.8uH/K   | 6.8±10%               | 40            | 7.96                       | 2                        | 28                         | 175                                 |
| CKL0204-8.2uH/K   | 8.2±10%               | 40            | 7.96                       | 2.2                      | 26                         | 165                                 |
| CKL0204-10uH/K    | 10±10%                | 40            | 7.96                       | 2.5                      | 24                         | 160                                 |
| CKL0204-12uH/K    | 12±10%                | 40            | 2.52                       | 2.5                      | 22                         | 150                                 |
| CKL0204-15uH/K    | 15±10%                | 40            | 2.52                       | 2.8                      | 20                         | 145                                 |
| CKL0204-18uH/K    | 18±10%                | 40            | 2.52                       | 3.1                      | 16.7                       | 140                                 |
| CKL0204-22uH/K    | 22±10%                | 40            | 2.52                       | 3.4                      | 15                         | 130                                 |
| CKL0204-27uH/K    | 27±10%                | 40            | 2.52                       | 4.3                      | 13                         | 80                                  |
| CKL0204-33uH/K    | 33±10%                | 40            | 2.52                       | 4.7                      | 12                         | 76                                  |
| CKL0204-39uH/K    | 39±10%                | 40            | 2.52                       | 5.2                      | 11                         | 74                                  |
| CKL0204-47uH/K    | 47±10%                | 40            | 2.52                       | 5.8                      | 9                          | 70                                  |
| CKL0204-56uH/K    | 56±10%                | 40            | 2.52                       | 6.4                      | 8                          | 68                                  |
| CKL0204-68uH/K    | 68±10%                | 40            | 2.52                       | 7.2                      | 7                          | 64                                  |
| CKL0204-82uH/K    | 82±10%                | 40            | 2.52                       | 9.5                      | 6.5                        | 46                                  |
| CKL0204-100uH/K   | 100±10%               | 40            | 2.52                       | 12                       | 6                          | 44                                  |
| CKL0204-120uH/K   | 120±10%               | 40            | 0.796                      | 13                       | 5.5                        | 42                                  |
| CKL0204-150uH/K   | 150±10%               | 40            | 0.796                      | 16                       | 5                          | 39                                  |
| CKL0204-180uH/K   | 180±10%               | 40            | 0.796                      | 18                       | 4.8                        | 37                                  |
| CKL0204-220uH/K   | 220±10%               | 40            | 0.796                      | 20                       | 4.5                        | 35                                  |
| CKL0204-270uH/K   | 270±10%               | 30            | 0.796                      | 20                       | 3.5                        | 25                                  |
| CKL0204-330uH/K   | 330±10%               | 30            | 0.796                      | 20                       | 3                          | 25                                  |

Special inquiries besides the above common used types can be met on your requirement.  
超出以上规格的特殊要求也可满足。



■CKL0307 Series



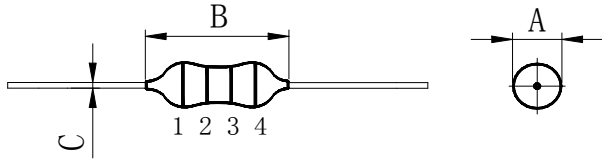
| A            | B       | C        |
|--------------|---------|----------|
| Ø3.0/3.2 Max | 7.0 Max | Ø0.5±0.1 |

| PART NUMBER<br>品名 | Inductance (uH)<br>电感 | Q (Min)<br>Q值 | Frequency (MHz)<br>测试频率 | DCR (Max)<br>(Ω)<br>直流电阻 | SRF (Min)<br>(MHz)<br>自谐频率 | Rated Current<br>(Max) (mA)<br>额定电流 |
|-------------------|-----------------------|---------------|-------------------------|--------------------------|----------------------------|-------------------------------------|
| CKL0307-0.22uH/M  | 0.22±20%              | 40            | 25.2                    | 0.08                     | 150                        | 740                                 |
| CKL0307-0.27uH/M  | 0.27±20%              | 40            | 25.2                    | 0.085                    | 150                        | 740                                 |
| CKL0307-0.33uH/M  | 0.33±20%              | 40            | 25.2                    | 0.095                    | 150                        | 740                                 |
| CKL0307-0.39uH/M  | 0.39±20%              | 40            | 25.2                    | 0.1                      | 150                        | 740                                 |
| CKL0307-0.47uH    | 0.47±10%/±20%         | 40            | 25.2                    | 0.11                     | 150                        | 740                                 |
| CKL0307-0.56uH    | 0.56±10%/±20%         | 40            | 25.2                    | 0.12                     | 150                        | 740                                 |
| CKL0307-0.68uH    | 0.68±10%/±20%         | 40            | 25.2                    | 0.13                     | 150                        | 740                                 |
| CKL0307-0.82uH    | 0.82±10%/±20%         | 40            | 25.2                    | 0.14                     | 150                        | 740                                 |
| CKL0307-1.0uH/K   | 1.0±10%               | 40            | 25.2                    | 0.15                     | 150                        | 740                                 |
| CKL0307-1.2uH/K   | 1.2±10%               | 40            | 7.96                    | 0.18                     | 150                        | 740                                 |
| CKL0307-1.5uH/K   | 1.5±10%               | 40            | 7.96                    | 0.2                      | 150                        | 700                                 |
| CKL0307-1.8uH/K   | 1.8±10%               | 50            | 7.96                    | 0.23                     | 125                        | 655                                 |
| CKL0307-2.2uH/K   | 2.2±10%               | 50            | 7.96                    | 0.27                     | 110                        | 630                                 |
| CKL0307-2.7uH/K   | 2.7±10%               | 50            | 7.96                    | 0.28                     | 95                         | 595                                 |
| CKL0307-3.3uH/K   | 3.3±10%               | 50            | 7.96                    | 0.3                      | 70                         | 575                                 |
| CKL0307-3.9uH/K   | 3.9±10%               | 50            | 7.96                    | 0.32                     | 65                         | 555                                 |
| CKL0307-4.7uH/K   | 4.7±10%               | 50            | 7.96                    | 0.35                     | 36                         | 530                                 |
| CKL0307-5.6uH/K   | 5.6±10%               | 50            | 7.96                    | 0.4                      | 32                         | 500                                 |
| CKL0307-6.8uH/K   | 6.8±10%               | 50            | 7.96                    | 0.48                     | 28                         | 470                                 |
| CKL0307-8.2uH/K   | 8.2±10%               | 50            | 7.96                    | 0.56                     | 23                         | 425                                 |
| CKL0307-10uH/K    | 10±10%                | 50            | 7.96                    | 0.75                     | 18                         | 370                                 |
| CKL0307-12uH/K    | 12±10%                | 50            | 2.52                    | 0.8                      | 17                         | 350                                 |
| CKL0307-15uH/K    | 15±10%                | 50            | 2.52                    | 0.93                     | 16                         | 335                                 |
| CKL0307-18uH/K    | 18±10%                | 50            | 2.52                    | 1                        | 15                         | 315                                 |
| CKL0307-22uH/K    | 22±10%                | 50            | 2.52                    | 1.2                      | 13                         | 285                                 |
| CKL0307-27uH/K    | 27±10%                | 50            | 2.52                    | 1.8                      | 11                         | 270                                 |
| CKL0307-33uH/K    | 33±10%                | 50            | 2.52                    | 2.1                      | 10                         | 255                                 |
| CKL0307-39uH/K    | 39±10%                | 50            | 2.52                    | 2.3                      | 9.5                        | 240                                 |
| CKL0307-47uH/K    | 47±10%                | 50            | 2.52                    | 2.6                      | 8.5                        | 205                                 |
| CKL0307-56uH/K    | 56±10%                | 50            | 2.52                    | 2.9                      | 7.5                        | 195                                 |
| CKL0307-68uH/K    | 68±10%                | 50            | 2.52                    | 3.3                      | 6.5                        | 185                                 |
| CKL0307-82uH/K    | 82±10%                | 50            | 2.52                    | 3.8                      | 6                          | 175                                 |
| CKL0307-100uH/K   | 100±10%               | 50            | 2.52                    | 4.2                      | 5.5                        | 165                                 |
| CKL0307-120uH/K   | 120±10%               | 60            | 0.796                   | 4.7                      | 5.4                        | 160                                 |

Special inquiries besides the above common used types can be met on your requirement.  
超出以上规格的特殊要求也可满足。



■CKL0307 Series

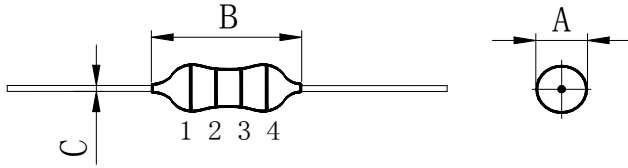


| A            | B       | C        |
|--------------|---------|----------|
| Ø3.0/3.2 Max | 7.0 Max | Ø0.5±0.1 |

| PART NUMBER<br>品名 | Inductance (uH)<br>电感 | Q (Min)<br>Q值 | Frequency (MHz)<br>测试频率 | DCR (Max)<br>(Ω)<br>直流电阻 | SRF (Min)<br>(MHz)<br>自谐频率 | Rated Current (Max) (mA)<br>额定电流 |
|-------------------|-----------------------|---------------|-------------------------|--------------------------|----------------------------|----------------------------------|
| CKL0307-150uH/K   | 150±10%               | 60            | 0.796                   | 5.4                      | 4.7                        | 150                              |
| CKL0307-180uH/K   | 180±10%               | 60            | 0.796                   | 6                        | 4.3                        | 140                              |
| CKL0307-220uH/K   | 220±10%               | 60            | 0.796                   | 7                        | 4                          | 130                              |
| CKL0307-270uH/K   | 270±10%               | 60            | 0.796                   | 7.7                      | 3.7                        | 120                              |
| CKL0307-330uH/K   | 330±10%               | 60            | 0.796                   | 11.1                     | 3.4                        | 100                              |
| CKL0307-390uH/K   | 390±10%               | 60            | 0.796                   | 12.6                     | 2.8                        | 95                               |
| CKL0307-470uH/K   | 470±10%               | 60            | 0.796                   | 14                       | 2.5                        | 90                               |
| CKL0307-560uH/K   | 560±10%               | 60            | 0.796                   | 15.5                     | 2.3                        | 85                               |
| CKL0307-680uH/K   | 680±10%               | 60            | 0.796                   | 25.3                     | 2                          | 75                               |
| CKL0307-820uH/K   | 820±10%               | 60            | 0.796                   | 27.5                     | 1.5                        | 65                               |
| CKL0307-1.0mH/K   | 1000±10%              | 50            | 0.796                   | 31.4                     | 1.2                        | 60                               |
| CKL0307-1.2mH/K   | 1200±10%              | 50            | 0.252                   | 37                       | 0.9                        | 50                               |
| CKL0307-1.5mH/K   | 1500±10%              | 45            | 0.252                   | 39                       | 0.8                        | 40                               |



■ CKL0410 Series



| A        | B        | C        |
|----------|----------|----------|
| Ø4.0 Max | 10.5 Max | Ø0.6±0.1 |

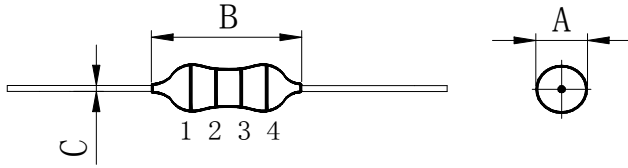
| PART NUMBER<br>品名 | Inductance<br>(uH) 电感 | Q (Min)<br>Q值 | Frequency<br>(MHz)<br>测试频率 | DCR (Max)<br>(Ω)<br>直流电阻 | SRF (Min)<br>(MHz)<br>自谐频率 | Rated Current<br>(Max) (mA)<br>额定电流 |
|-------------------|-----------------------|---------------|----------------------------|--------------------------|----------------------------|-------------------------------------|
| CKL0410-0.27uH/M  | 0.27±20%              | 45            | 25.2                       | 0.09                     | 270                        | 980                                 |
| CKL0410-0.33uH/M  | 0.33±20%              | 45            | 25.2                       | 0.1                      | 250                        | 980                                 |
| CKL0410-0.39uH/M  | 0.39±20%              | 45            | 25.2                       | 0.12                     | 230                        | 980                                 |
| CKL0410-0.47uH    | 0.47±10%/±20%         | 45            | 25.2                       | 0.13                     | 220                        | 980                                 |
| CKL0410-0.56uH    | 0.56±10%/±20%         | 45            | 25.2                       | 0.14                     | 200                        | 980                                 |
| CKL0410-0.68uH    | 0.68±10%/±20%         | 45            | 25.2                       | 0.15                     | 190                        | 980                                 |
| CKL0410-0.82uH    | 0.82±10%/±20%         | 45            | 25.2                       | 0.16                     | 172                        | 980                                 |
| CKL0410-1.0uH/K   | 1.0±10%               | 45            | 25.2                       | 0.17                     | 157                        | 920                                 |
| CKL0410-1.2uH/K   | 1.2±10%               | 50            | 7.96                       | 0.18                     | 144                        | 880                                 |
| CKL0410-1.5uH/K   | 1.5±10%               | 50            | 7.96                       | 0.2                      | 130                        | 830                                 |
| CKL0410-1.8uH/K   | 1.8±10%               | 55            | 7.96                       | 0.22                     | 121                        | 790                                 |
| CKL0410-2.2uH/K   | 2.2±10%               | 55            | 7.96                       | 0.24                     | 110                        | 750                                 |
| CKL0410-2.7uH/K   | 2.7±10%               | 60            | 7.96                       | 0.25                     | 100                        | 720                                 |
| CKL0410-3.3uH/K   | 3.3±10%               | 65            | 7.96                       | 0.3                      | 94                         | 670                                 |
| CKL0410-3.9uH/K   | 3.9±10%               | 65            | 7.96                       | 0.35                     | 80                         | 640                                 |
| CKL0410-4.7uH/K   | 4.7±10%               | 70            | 7.96                       | 0.4                      | 80                         | 620                                 |
| CKL0410-5.6uH/K   | 5.6±10%               | 70            | 7.96                       | 0.43                     | 74                         | 590                                 |
| CKL0410-6.8uH/K   | 6.8±10%               | 75            | 7.96                       | 0.48                     | 68                         | 550                                 |
| CKL0410-8.2uH/K   | 8.2±10%               | 80            | 7.96                       | 0.52                     | 53                         | 530                                 |
| CKL0410-10uH/K    | 10±10%                | 80            | 7.96                       | 0.58                     | 40                         | 500                                 |
| CKL0410-12uH/K    | 12±10%                | 75            | 2.52                       | 0.63                     | 34                         | 480                                 |
| CKL0410-15uH/K    | 15±10%                | 70            | 2.52                       | 0.72                     | 20                         | 460                                 |
| CKL0410-18uH/K    | 18±10%                | 70            | 2.52                       | 0.77                     | 14                         | 430                                 |
| CKL0410-22uH/K    | 22±10%                | 50            | 2.52                       | 0.84                     | 9.9                        | 410                                 |
| CKL0410-27uH/K    | 27±10%                | 50            | 2.52                       | 0.94                     | 7.6                        | 390                                 |
| CKL0410-33uH/K    | 33±10%                | 50            | 2.52                       | 1.03                     | 6.3                        | 370                                 |
| CKL0410-39uH/K    | 39±10%                | 50            | 2.52                       | 1.12                     | 6.3                        | 350                                 |
| CKL0410-47uH/K    | 47±10%                | 45            | 2.52                       | 1.22                     | 6.3                        | 340                                 |
| CKL0410-56uH/K    | 56±10%                | 40            | 2.52                       | 1.34                     | 6.2                        | 320                                 |
| CKL0410-68uH/K    | 68±10%                | 40            | 2.52                       | 1.47                     | 5.7                        | 305                                 |
| CKL0410-82uH/K    | 82±10%                | 35            | 2.52                       | 1.62                     | 5.3                        | 290                                 |
| CKL0410-100uH/K   | 100±10%               | 30            | 2.52                       | 1.8                      | 4.8                        | 275                                 |
| CKL0410-120uH/K   | 120±10%               | 70            | 0.796                      | 3                        | 3.8                        | 185                                 |

Special inquiries besides the above common used types can be met on your requirement.  
超出以上规格的特殊要求也可满足。





■CKL0410 Series



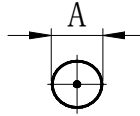
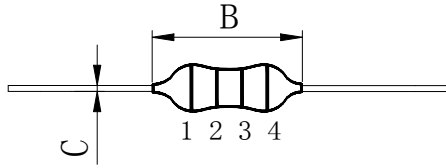
| A        | B        | C        |
|----------|----------|----------|
| Ø4.0 Max | 10.5 Max | Ø0.6±0.1 |

| PART NUMBER<br>品名 | Inductance<br>(uH) 电感 | Q (Min)<br>Q值 | Frequency<br>(MHz)<br>测试频率 | DCR (Max)<br>(Ω)<br>直流电阻 | SRF (Min)<br>(MHz)<br>自谐频率 | Rated Current<br>(Max) (mA)<br>额定电流 |
|-------------------|-----------------------|---------------|----------------------------|--------------------------|----------------------------|-------------------------------------|
| CKL0410-150uH/K   | 150±10%               | 70            | 0.796                      | 4.2                      | 3.5                        | 175                                 |
| CKL0410-180uH/K   | 180±10%               | 70            | 0.796                      | 4.6                      | 3.3                        | 165                                 |
| CKL0410-220uH/K   | 220±10%               | 70            | 0.796                      | 5.1                      | 3                          | 155                                 |
| CKL0410-270uH/K   | 270±10%               | 65            | 0.796                      | 6                        | 2.8                        | 145                                 |
| CKL0410-330uH/K   | 330±10%               | 65            | 0.796                      | 6.4                      | 2.6                        | 137                                 |
| CKL0410-390uH/K   | 390±10%               | 65            | 0.796                      | 7                        | 2.4                        | 133                                 |
| CKL0410-470uH/K   | 470±10%               | 60            | 0.796                      | 7.7                      | 2.25                       | 126                                 |
| CKL0410-560uH/K   | 560±10%               | 60            | 0.796                      | 8.5                      | 2.1                        | 120                                 |
| CKL0410-680uH/K   | 680±10%               | 55            | 0.796                      | 9.4                      | 1.9                        | 113                                 |
| CKL0410-820uH/K   | 820±10%               | 55            | 0.796                      | 12                       | 1.85                       | 105                                 |
| CKL0410-1.0mH/K   | 1000±10%              | 50            | 0.796                      | 17.4                     | 1.4                        | 100                                 |
| CKL0410-1.2mH/K   | 1200±10%              | 50            | 0.252                      | 20                       | 1.2                        | 90                                  |
| CKL0410-1.5mH/K   | 1500±10%              | 30            | 0.252                      | 25                       | 1                          | 85                                  |
| CKL0410-1.8mH/K   | 1800±10%              | 30            | 0.252                      | 30                       | 0.9                        | 80                                  |
| CKL0410-2.2mH/K   | 2200±10%              | 30            | 0.252                      | 35                       | 0.8                        | 75                                  |
| CKL0410-2.7mH/K   | 2700±10%              | 30            | 0.252                      | 40                       | 0.7                        | 70                                  |
| CKL0410-3.3mH/K   | 3300±10%              | 30            | 0.252                      | 65                       | 0.65                       | 65                                  |
| CKL0410-3.9mH/K   | 3900±10%              | 30            | 0.252                      | 71                       | 0.65                       | 50                                  |
| CKL0410-4.7mH/K   | 4700±10%              | 30            | 0.252                      | 78                       | 0.6                        | 40                                  |
| CKL0410-5.6mH/K   | 5600±10%              | 30            | 0.252                      | 100                      | 0.56                       | 30                                  |
| CKL0410-6.8mH/K   | 6800±10%              | 30            | 0.252                      | 125                      | 0.54                       | 30                                  |

Special inquiries besides the above common used types can be met on your requirement.  
超出以上规格的特殊要求也可满足。



■CKL0412 Series



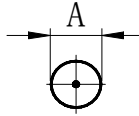
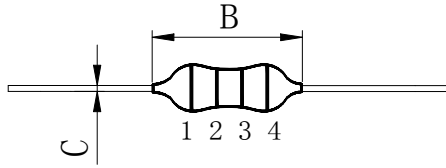
| A            | B        | C         |
|--------------|----------|-----------|
| Ø4.5/5.0 Max | 12.7 Max | Ø0.65±0.1 |

| PART NUMBER<br>品名 | Inductance<br>(uH)<br>电感 | Frequency<br>(MHz)<br>测试频率 | DCR (Max)<br>(Ω)<br>直流电阻 | SRF (Ref.)<br>(MHz)<br>自谐频率 | Isat.<br>(Max)(mA)<br>饱和电流 | Irms.<br>(Max)(mA)<br>温升电流 |
|-------------------|--------------------------|----------------------------|--------------------------|-----------------------------|----------------------------|----------------------------|
| CKL0412-1.0uH     | 1.0±10%/±20%             | 7.96                       | 0.018                    | 190                         | 3000                       | 3300                       |
| CKL0412-1.2uH     | 1.2±10%/±20%             | 7.96                       | 0.019                    | 170                         | 2700                       | 3200                       |
| CKL0412-1.5uH     | 1.5±10%/±20%             | 7.96                       | 0.02                     | 160                         | 2500                       | 3100                       |
| CKL0412-1.8uH     | 1.8±10%/±20%             | 7.96                       | 0.023                    | 150                         | 2100                       | 2900                       |
| CKL0412-2.2uH     | 2.2±10%/±20%             | 7.96                       | 0.031                    | 130                         | 2000                       | 2600                       |
| CKL0412-2.7uH     | 2.7±10%/±20%             | 7.96                       | 0.033                    | 120                         | 1900                       | 2500                       |
| CKL0412-3.3uH     | 3.3±10%/±20%             | 7.96                       | 0.054                    | 110                         | 1700                       | 1900                       |
| CKL0412-3.9uH     | 3.9±10%/±20%             | 7.96                       | 0.06                     | 100                         | 1500                       | 1800                       |
| CKL0412-4.7uH     | 4.7±10%/±20%             | 7.96                       | 0.068                    | 86                          | 1400                       | 1700                       |
| CKL0412-5.6uH     | 5.6±10%/±20%             | 7.96                       | 0.074                    | 64                          | 1300                       | 1600                       |
| CKL0412-6.8uH     | 6.8±10%/±20%             | 7.96                       | 0.08                     | 44                          | 1200                       | 1600                       |
| CKL0412-8.2uH     | 8.2±10%/±20%             | 7.96                       | 0.087                    | 32                          | 1100                       | 1500                       |
| CKL0412*10uH/K    | 10±10%                   | 1kHz                       | 0.095                    | 25                          | 970                        | 1500                       |
| CKL0412*12uH/K    | 12±10%                   | 1kHz                       | 0.11                     | 17                          | 880                        | 1400                       |
| CKL0412*15uH/K    | 15±10%                   | 1kHz                       | 0.15                     | 13                          | 790                        | 1200                       |
| CKL0412*18uH/K    | 18±10%                   | 1kHz                       | 0.16                     | 10                          | 710                        | 1100                       |
| CKL0412*22uH/K    | 22±10%                   | 1kHz                       | 0.19                     | 8.4                         | 640                        | 1000                       |
| CKL0412*27uH/K    | 27±10%                   | 1kHz                       | 0.22                     | 8                           | 580                        | 950                        |
| CKL0412*33uH/K    | 33±10%                   | 1kHz                       | 0.24                     | 7.6                         | 530                        | 910                        |
| CKL0412*39uH/K    | 39±10%                   | 1kHz                       | 0.26                     | 7.1                         | 480                        | 880                        |
| CKL0412*47uH/K    | 47±10%                   | 1kHz                       | 0.35                     | 6                           | 430                        | 790                        |
| CKL0412*56uH/K    | 56±10%                   | 1kHz                       | 0.47                     | 5.8                         | 400                        | 650                        |
| CKL0412*68uH/K    | 68±10%                   | 1kHz                       | 0.53                     | 4.3                         | 370                        | 610                        |
| CKL0412*82uH/K    | 82±10%                   | 1kHz                       | 0.6                      | 4.1                         | 330                        | 580                        |
| CKL0412*100uH/K   | 100±10%                  | 1kHz                       | 0.67                     | 3.9                         | 300                        | 550                        |
| CKL0412*120uH/K   | 120±10%                  | 1kHz                       | 0.9                      | 3.6                         | 270                        | 470                        |
| CKL0412*150uH/K   | 150±10%                  | 1kHz                       | 1.2                      | 3.2                         | 250                        | 410                        |

Special inquiries besides the above common used types can be met on your requirement.  
超出以上规格的特殊要求也可满足。



■CKL0412 Series

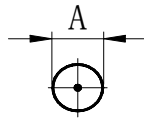
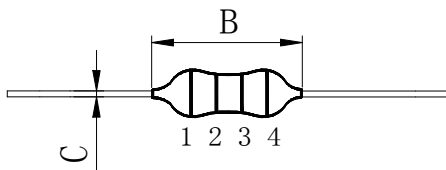


| A            | B        | C         |
|--------------|----------|-----------|
| Ø4.5/5.0 Max | 12.7 Max | Ø0.65±0.1 |

| PART NUMBER<br>品名 | Inductance<br>(uH)<br>电感 | Frequency<br>(MHz)<br>测试频率 | DCR (Max)<br>(Ω)<br>直流电阻 | SRF (Ref.)<br>(MHz)<br>自谐频率 | Isat.<br>(Max)(mA)<br>饱和电流 | Irms.<br>(Max)(mA)<br>温升电流 |
|-------------------|--------------------------|----------------------------|--------------------------|-----------------------------|----------------------------|----------------------------|
| CKL0412*180uH/K   | 180±10%                  | 1kHz                       | 1.4                      | 2.8                         | 220                        | 380                        |
| CKL0412*220uH/K   | 220±10%                  | 1kHz                       | 1.9                      | 2.3                         | 200                        | 320                        |
| CKL0412*270uH/K   | 270±10%                  | 1kHz                       | 2.1                      | 2.1                         | 180                        | 310                        |
| CKL0412*330uH/K   | 330±10%                  | 1kHz                       | 2.4                      | 1.9                         | 170                        | 290                        |
| CKL0412*390uH/K   | 390±10%                  | 1kHz                       | 3                        | 1.7                         | 150                        | 260                        |
| CKL0412*470uH/K   | 470±10%                  | 1kHz                       | 3.4                      | 1.4                         | 140                        | 240                        |
| CKL0412*560uH/K   | 560±10%                  | 1kHz                       | 4.7                      | 1.3                         | 130                        | 210                        |
| CKL0412*680uH/K   | 680±10%                  | 1kHz                       | 6.4                      | 1.2                         | 110                        | 180                        |
| CKL0412*820uH/K   | 820±10%                  | 1kHz                       | 7.1                      | 1.1                         | 100                        | 170                        |
| CKL0412*1.0mH/K   | 1000±10%                 | 1kHz                       | 7.9                      | 1                           | 95                         | 160                        |
| CKL0412*1.2mH/K   | 1200±10%                 | 1kHz                       | 9                        | 0.94                        | 87                         | 150                        |
| CKL0412*1.5mH/K   | 1500±10%                 | 1kHz                       | 12                       | 0.76                        | 78                         | 130                        |
| CKL0412*1.8mH/K   | 1800±10%                 | 1kHz                       | 14                       | 0.72                        | 71                         | 120                        |
| CKL0412*2.2mH/K   | 2200±10%                 | 1kHz                       | 19                       | 0.64                        | 64                         | 100                        |
| CKL0412*2.7mH/K   | 2700±10%                 | 1kHz                       | 25                       | 0.56                        | 58                         | 90                         |
| CKL0412*3.3mH/K   | 3300±10%                 | 1kHz                       | 29                       | 0.53                        | 52                         | 83                         |
| CKL0412*3.9mH/K   | 3900±10%                 | 1kHz                       | 34                       | 0.48                        | 48                         | 77                         |
| CKL0412*4.7mH/K   | 4700±10%                 | 1kHz                       | 37                       | 0.45                        | 44                         | 74                         |
| CKL0412*5.6mH/K   | 5600±10%                 | 1kHz                       | 50                       | 0.4                         | 40                         | 63                         |
| CKL0412*6.8mH/K   | 6800±10%                 | 1kHz                       | 58                       | 0.36                        | 36                         | 59                         |
| CKL0412*8.2mH/K   | 8200±10%                 | 1kHz                       | 68                       | 0.29                        | 33                         | 54                         |
| CKL0412*10mH/K    | 10000±10%                | 1kHz                       | 75                       | 0.27                        | 30                         | 52                         |



■CKL0510 Series



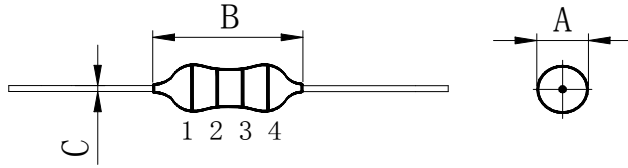
| A        | B        | C        |
|----------|----------|----------|
| Ø5.0 Max | 11.0 Max | Ø0.6±0.1 |

| PART NUMBER<br>品名 | Inductance<br>(uH) 电感 | Q (Min)<br>Q值 | Frequency<br>(MHz)<br>测试频率 | DCR (Max)<br>(Ω)<br>直流电阻 | SRF (Min)<br>(MHz)<br>自谐频率 | Rated Current<br>(Max) (mA)<br>额定电流 |
|-------------------|-----------------------|---------------|----------------------------|--------------------------|----------------------------|-------------------------------------|
| CKL0510-4.7uH/K   | 4.7±10%               | 20            | 7.96                       | 0.06                     | 50                         | 900                                 |
| CKL0510-10uH/K    | 10±10%                | 15            | 7.96                       | 0.45                     | 30                         | 750                                 |
| CKL0510-22uH/K    | 22±10%                | 30            | 2.52                       | 0.65                     | 8                          | 450                                 |
| CKL0510-82uH/K    | 82±10%                | 20            | 2.52                       | 0.82                     | 3.8                        | 330                                 |
| CKL0510-100uH/K   | 100±10%               | 20            | 2.52                       | 0.75                     | 3.5                        | 300                                 |
| CKL0510-120uH/K   | 120±10%               | 20            | 0.796                      | 1.2                      | 3.3                        | 250                                 |
| CKL0510-150uH/K   | 150±10%               | 20            | 0.796                      | 1.8                      | 3.2                        | 225                                 |
| CKL0510-180uH/K   | 180±10%               | 20            | 0.796                      | 2                        | 2.8                        | 200                                 |
| CKL0510-220uH/K   | 220±10%               | 30            | 0.796                      | 2.1                      | 2.6                        | 180                                 |
| CKL0510-270uH/K   | 270±10%               | 30            | 0.796                      | 2.5                      | 2.4                        | 170                                 |
| CKL0510-330uH/K   | 330±10%               | 30            | 0.796                      | 3                        | 2.2                        | 160                                 |
| CKL0510-390uH/K   | 390±10%               | 30            | 0.796                      | 3.5                      | 2                          | 150                                 |
| CKL0510-470uH/K   | 470±10%               | 30            | 0.796                      | 4                        | 1.9                        | 140                                 |
| CKL0510-560uH/K   | 560±10%               | 30            | 0.796                      | 5.4                      | 1.8                        | 130                                 |
| CKL0510-680uH/K   | 680±10%               | 40            | 0.796                      | 6                        | 1.5                        | 120                                 |
| CKL0510-820uH/K   | 820±10%               | 50            | 0.796                      | 7.5                      | 1.2                        | 110                                 |
| CKL0510-1.0mH/K   | 1000±10%              | 50            | 0.252                      | 8                        | 1                          | 100                                 |
| CKL0510-1.2mH/K   | 1200±10%              | 60            | 0.252                      | 14.5                     | 0.95                       | 95                                  |
| CKL0510-1.5mH/K   | 1500±10%              | 60            | 0.252                      | 16.5                     | 0.9                        | 90                                  |
| CKL0510-1.8mH/K   | 1800±10%              | 60            | 0.252                      | 19                       | 0.9                        | 85                                  |
| CKL0510-2.2mH/K   | 2200±10%              | 60            | 0.252                      | 27.5                     | 0.8                        | 80                                  |
| CKL0510-2.7mH/K   | 2700±10%              | 60            | 0.252                      | 40                       | 0.75                       | 75                                  |
| CKL0510-3.3mH/K   | 3300±10%              | 50            | 0.252                      | 50                       | 0.7                        | 62                                  |
| CKL0510-3.9mH/K   | 3900±10%              | 50            | 0.252                      | 53                       | 0.65                       | 59                                  |
| CKL0510-4.7mH/K   | 4700±10%              | 50            | 0.252                      | 60                       | 0.6                        | 55                                  |
| CKL0510-5.6mH/K   | 5600±10%              | 50            | 0.252                      | 64                       | 0.5                        | 40                                  |
| CKL0510-6.8mH/K   | 6800±10%              | 50            | 0.252                      | 73                       | 0.45                       | 35                                  |
| CKL0510-8.2mH/K   | 8200±10%              | 30            | 0.252                      | 80                       | 0.4                        | 30                                  |
| CKL0510-10mH/K    | 10000±10%             | 25            | 79.6k                      | 132                      | 0.35                       | 25                                  |
| CKL0510-12mH/K    | 12000±10%             | 25            | 79.6k                      | 143                      | 0.3                        | 20                                  |
| CKL0510-15mH/K    | 15000±10%             | 25            | 79.6k                      | 166                      | 0.25                       | 18                                  |
| CKL0510-18mH/K    | 18000±10%             | 25            | 79.6k                      | 185                      | 0.2                        | 15                                  |
| CKL0510-22mH/K    | 22000±10%             | 20            | 1k/79.6k                   | 330                      | 0.15                       | 12                                  |
| CKL0510-27mH/K    | 27000±10%             | 20            | 1k/79.6k                   | 370                      | 0.1                        | 10                                  |
| CKL0510-30mH/K    | 30000±10%             | 40            | 1k/79.6k                   | 240                      | 0.25                       | 10                                  |

Special inquiries besides the above common used types can be met on your requirement.  
超出以上规格的特殊要求也可满足。



■CKL0512 Series



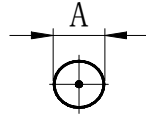
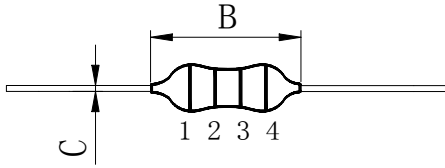
| A        | B        | C        |
|----------|----------|----------|
| Ø5.0 Max | 12.0 Max | Ø0.6±0.1 |

| PART NUMBER<br>品名 | Inductance<br>(uH) 电感 | Q (Min)<br>Q值 | Frequency<br>(MHz)<br>测试频率 | DCR (Max)<br>(Ω)<br>直流电阻 | SRF (Min)<br>(MHz)<br>自谐频率 | Rated Current<br>(Max) (mA)<br>额定电流 |
|-------------------|-----------------------|---------------|----------------------------|--------------------------|----------------------------|-------------------------------------|
| CKL0512-22uH/K    | 22±10%                | 30            | 2.52M                      | 0.35                     | 8                          | 550                                 |
| CKL0512-100uH/K   | 100±10%               | 10            | 2.52M                      | 0.5                      | 3.5                        | 300                                 |
| CKL0512-220uH/K   | 220±10%               | 10            | 0.796M                     | 2.1                      | 2.6                        | 160                                 |
| CKL0512-330uH/K   | 330±10%               | 30            | 0.796M                     | 2.5                      | 2.2                        | 130                                 |
| CKL0512-390uH/K   | 390±10%               | 30            | 0.796M                     | 2.8                      | 2                          | 125                                 |
| CKL0512-470uH/K   | 470±10%               | 30            | 1k/0.796M                  | 3                        | 1.9                        | 120                                 |
| CKL0512-560uH/K   | 560±10%               | 30            | 0.796M                     | 4.5                      | 1.8                        | 115                                 |
| CKL0512-680uH/K   | 680±10%               | 30            | 0.796M                     | 4.6                      | 1.5                        | 110                                 |
| CKL0512-820uH/K   | 820±10%               | 30            | 0.796M                     | 5                        | 1.2                        | 105                                 |
| CKL0512-1.0mH/K   | 1000±10%              | 50            | 1k/0.252M                  | 5                        | 1                          | 100                                 |
| CKL0512-1.2mH/K   | 1200±10%              | 60            | 0.252M                     | 14.5                     | 0.95                       | 90                                  |
| CKL0512-1.5mH/K   | 1500±10%              | 60            | 0.252M                     | 16.5                     | 0.9                        | 85                                  |
| CKL0512-1.8mH/K   | 1800±10%              | 60            | 0.252M                     | 19                       | 0.9                        | 80                                  |
| CKL0512-2.2mH/K   | 2200±10%              | 60            | 1k/0.252M                  | 27.5                     | 0.8                        | 70                                  |
| CKL0512-2.7mH/K   | 2700±10%              | 60            | 0.252M                     | 40                       | 0.75                       | 65                                  |
| CKL0512-3.3mH/K   | 3300±10%              | 50            | 0.252M                     | 50                       | 0.7                        | 60                                  |
| CKL0512-3.9mH/K   | 3900±10%              | 50            | 0.252M                     | 53                       | 0.65                       | 55                                  |
| CKL0512-4.7mH/K   | 4700±10%              | 50            | 0.252M                     | 60                       | 0.6                        | 50                                  |
| CKL0512-5.6mH/K   | 5600±10%              | 50            | 1k/0.252M                  | 64                       | 0.5                        | 45                                  |
| CKL0512-6.8mH/K   | 6800±10%              | 40            | 0.252M                     | 73                       | 0.45                       | 40                                  |
| CKL0512-8.2mH/K   | 8200±10%              | 30            | 0.252M                     | 80                       | 0.4                        | 30                                  |
| CKL0512-10mH/K    | 10000±10%             | 30            | 79.6k                      | 132                      | 0.35                       | 25                                  |

Special inquiries besides the above common used types can be met on your requirement.  
超出以上规格的特殊要求也可满足。



■CKL0514 Series



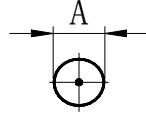
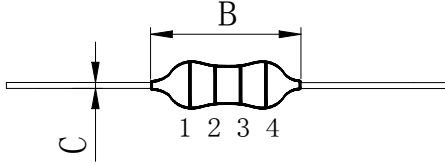
| A            | B         | C         |
|--------------|-----------|-----------|
| Ø5.0/5.5 Max | 14/15 Max | Ø0.65±0.1 |

| PART NUMBER<br>品名 | Inductance<br>(uH) 电感 | Q (Min)<br>Q值 | Frequency<br>(MHz)<br>测试频率 | DCR (Max)<br>(Ω)<br>直流电阻 | SRF (Ref.)<br>(MHz)<br>自谐频率 | Isat.<br>(Max)(mA)<br>饱和电流 | Irms.<br>(Max)(mA)<br>温升电流 |
|-------------------|-----------------------|---------------|----------------------------|--------------------------|-----------------------------|----------------------------|----------------------------|
| CKL0514-1.0uH     | 1.0±10%/±20%          | 10            | 7.96                       | 0.022                    | 300                         | 5600                       | 3800                       |
| CKL0514-1.2uH     | 1.2±10%/±20%          | 10            | 7.96                       | 0.024                    | 260                         | 5500                       | 3700                       |
| CKL0514-1.5uH     | 1.5±10%/±20%          | 10            | 7.96                       | 0.026                    | 250                         | 5000                       | 3600                       |
| CKL0514-1.8uH     | 1.8±10%/±20%          | 10            | 7.96                       | 0.029                    | 240                         | 4700                       | 3100                       |
| CKL0514-2.2uH     | 2.2±10%/±20%          | 10            | 7.96                       | 0.031                    | 220                         | 4500                       | 2900                       |
| CKL0514-2.7uH     | 2.7±10%/±20%          | 10            | 7.96                       | 0.034                    | 195                         | 4000                       | 2700                       |
| CKL0514-3.3uH     | 3.3±10%/±20%          | 10            | 7.96                       | 0.038                    | 155                         | 3400                       | 2600                       |
| CKL0514-3.9uH     | 3.9±10%/±20%          | 10            | 7.96                       | 0.040                    | 115                         | 3100                       | 2500                       |
| CKL0514-4.7uH     | 4.7±10%/±20%          | 10            | 7.96                       | 0.044                    | 85                          | 2800                       | 2400                       |
| CKL0514-5.6uH     | 5.6±10%/±20%          | 10            | 7.96                       | 0.048                    | 55                          | 2600                       | 2100                       |
| CKL0514-6.8uH     | 6.8±10%/±20%          | 10            | 7.96                       | 0.051                    | 50                          | 2400                       | 2000                       |
| CKL0514-8.2uH     | 8.2±10%/±20%          | 10            | 7.96                       | 0.056                    | 38                          | 2200                       | 1950                       |
| CKL0514-10uH/K    | 10±10%                | 10            | 7.96                       | 0.062                    | 24                          | 2100                       | 1900                       |
| CKL0514-12uH/K    | 12±10%                | 10            | 2.52                       | 0.076                    | 18                          | 1800                       | 1800                       |
| CKL0514-15uH/K    | 15±10%                | 10            | 2.52                       | 0.088                    | 16                          | 1700                       | 1700                       |
| CKL0514-18uH/K    | 18±10%                | 10            | 2.52                       | 0.11                     | 15                          | 1600                       | 1600                       |
| CKL0514-22uH/K    | 22±10%                | 10            | 2.52                       | 0.13                     | 14                          | 1400                       | 1550                       |
| CKL0514-27uH/K    | 27±10%                | 10            | 2.52                       | 0.14                     | 13                          | 1300                       | 1300                       |
| CKL0514-33uH/K    | 33±10%                | 10            | 2.52                       | 0.20                     | 11                          | 1200                       | 1200                       |
| CKL0514-39uH/K    | 39±10%                | 10            | 2.52                       | 0.22                     | 10                          | 1100                       | 1000                       |
| CKL0514-43uH/K    | 43±10%                | 10            | 2.52                       | 0.28                     | 9.5                         | 1000                       | 950                        |
| CKL0514-47uH/K    | 47±10%                | 10            | 2.52                       | 0.28                     | 9.5                         | 1000                       | 950                        |
| CKL0514-56uH/K    | 56±10%                | 10            | 2.52                       | 0.30                     | 8                           | 900                        | 900                        |
| CKL0514-68uH/K    | 68±10%                | 10            | 2.52                       | 0.34                     | 7.5                         | 800                        | 800                        |
| CKL0514-82uH/K    | 82±10%                | 10            | 2.52                       | 0.385                    | 7                           | 700                        | 750                        |
| CKL0514-100uH/K   | 100±10%               | 10            | 2.52                       | 0.48                     | 6.5                         | 700                        | 700                        |
| CKL0514-120uH/K   | 120±10%               | 15            | 0.796                      | 0.595                    | 5                           | 600                        | 600                        |
| CKL0514-150uH/K   | 150±10%               | 15            | 0.796                      | 0.90                     | 4.5                         | 550                        | 500                        |
| CKL0514-180uH/K   | 180±10%               | 15            | 0.796                      | 1.10                     | 4                           | 500                        | 400                        |
| CKL0514-220uH/K   | 220±10%               | 15            | 0.796                      | 1.25                     | 3.8                         | 440                        | 390                        |
| CKL0514-270uH/K   | 270±10%               | 15            | 0.796                      | 1.85                     | 3.5                         | 420                        | 330                        |
| CKL0514-330uH/K   | 330±10%               | 15            | 0.796                      | 2.10                     | 3.0                         | 380                        | 310                        |

Special inquiries besides the above common used types can be met on your requirement.  
超出以上规格的特殊要求也可满足。



■CKL0514 Series



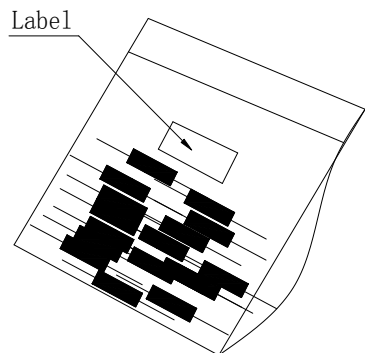
| A            | B         | C         |
|--------------|-----------|-----------|
| Ø5.0/5.5 Max | 14/15 Max | Ø0.65±0.1 |

| PART NUMBER<br>品名 | Inductance<br>(uH) 电感 | Q (Min)<br>Q值 | Frequency<br>(MHz)<br>测试频率 | DCR (Max)<br>(Ω)<br>直流电阻 | SRF (Ref.)<br>(MHz)<br>自谐频率 | Isat.<br>(Max)(mA)<br>饱和电流 | Irms.<br>(Max)(mA)<br>温升电流 |
|-------------------|-----------------------|---------------|----------------------------|--------------------------|-----------------------------|----------------------------|----------------------------|
| CKL0514-390uH/K   | 390±10%               | 15            | 0.796                      | 2.28                     | 2.8                         | 340                        | 300                        |
| CKL0514-470uH/K   | 470±10%               | 15            | 0.796                      | 3.22                     | 2.5                         | 320                        | 280                        |
| CKL0514-560uH/K   | 560±10%               | 15            | 0.796                      | 3.85                     | 2.2                         | 290                        | 270                        |
| CKL0514-680uH/K   | 680±10%               | 15            | 0.796                      | 4.00                     | 2.1                         | 260                        | 240                        |
| CKL0514-820uH/K   | 820±10%               | 15            | 0.796                      | 5.00                     | 2.0                         | 250                        | 230                        |
| CKL0514-1.0mH/K   | 1000±10%              | 15            | 0.252                      | 5.80                     | 1.8                         | 220                        | 190                        |
| CKL0514-1.2mH/K   | 1200±10%              | 15            | 0.252                      | 7.10                     | 1.6                         | 200                        | 180                        |
| CKL0514-1.5mH/K   | 1500±10%              | 15            | 0.252                      | 7.80                     | 1.5                         | 190                        | 170                        |
| CKL0514-2.2mH/K   | 2200±10%              | 35            | 0.252                      | 20.0                     | 1.0                         | 140                        | 140                        |
| CKL0514-3.3mH/K   | 3300±10%              | 35            | 0.252                      | 27.0                     | 0.8                         | 130                        | 120                        |
| CKL0514-4.7mH/K   | 4700±10%              | 30            | 0.252                      | 30.0                     | 0.7                         | 120                        | 100                        |
| CKL0514-5.6mH/K   | 5600±10%              | 15            | 0.252                      | 30.0                     | 0.5                         | 100                        | 90                         |
| CKL0514-6.8mH/K   | 6800±10%              | 15            | 0.252                      | 30.0                     | 0.4                         | 90                         | 80                         |
| CKL0514-8.2mH/K   | 8200±10%              | 15            | 0.252                      | 37.5                     | 0.4                         | 80                         | 70                         |
| CKL0514-10mH/K    | 10000±10%             | 15            | 79.6kHz                    | 42.0                     | 0.4                         | 70                         | 60                         |



● **Packaging 包装方式**

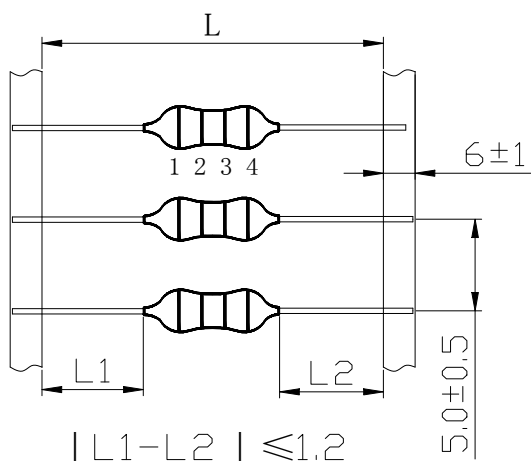
1. Bulk 散装(B)



Dimension of Bag:160mm\*170mm

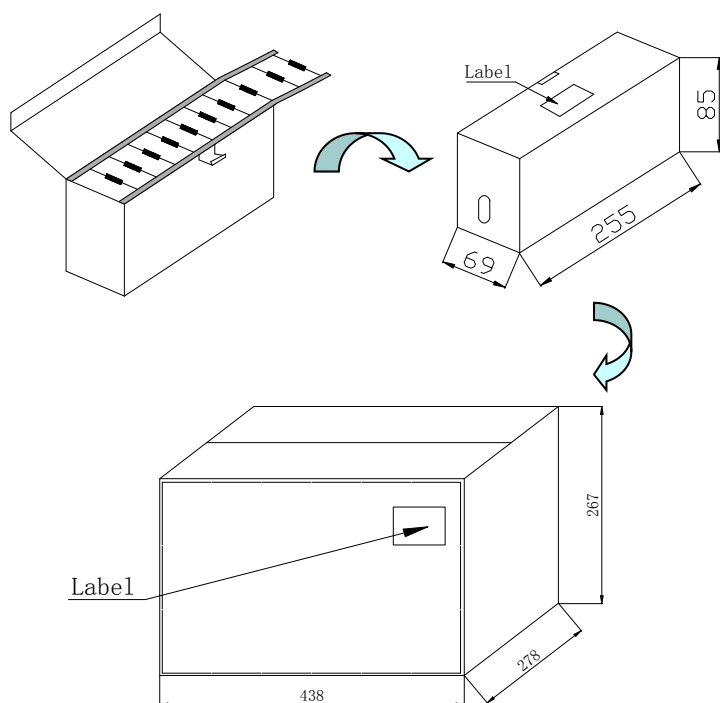
| Type    | Quantity per Bag |
|---------|------------------|
| CKL0204 | 1,000 Pcs        |
| CKL0307 | 1,000 Pcs        |
| CKL0410 | 1,000 Pcs        |
| CKL0412 | 1,000 Pcs        |
| CKL0510 | 500 Pcs          |
| CKL0512 | 500 Pcs          |
| CKL0514 | 500 Pcs          |

2. Specification of Tape 编带尺寸



| Item | Dimension(mm) |
|------|---------------|
| L    | 52.4±1.5      |

3. Ammunition Pack (Package Defaults) 直脚编带盒装 (产品默认包装方式) (T)



| Type     | Quantity(Pcs) |        | Remark |
|----------|---------------|--------|--------|
|          | Box           | Carton |        |
| CKL0204  | 3,000         | 54,000 |        |
| CKL0307  | 3,000         | 54,000 |        |
| CKL0307* | 2,500         | 45,000 | A:Ø3.2 |
| CKL0410  | 1,500         | 27,000 |        |
| CKL0412  | 1,000         | 18,000 |        |
| CKL0510  | 1,000         | 18,000 |        |
| CKL0512  | 1,000         | 18,000 |        |
| CKL0514  | 1,000         | 18,000 |        |





4. Taping and Reel Pack 卷式包装(TR)

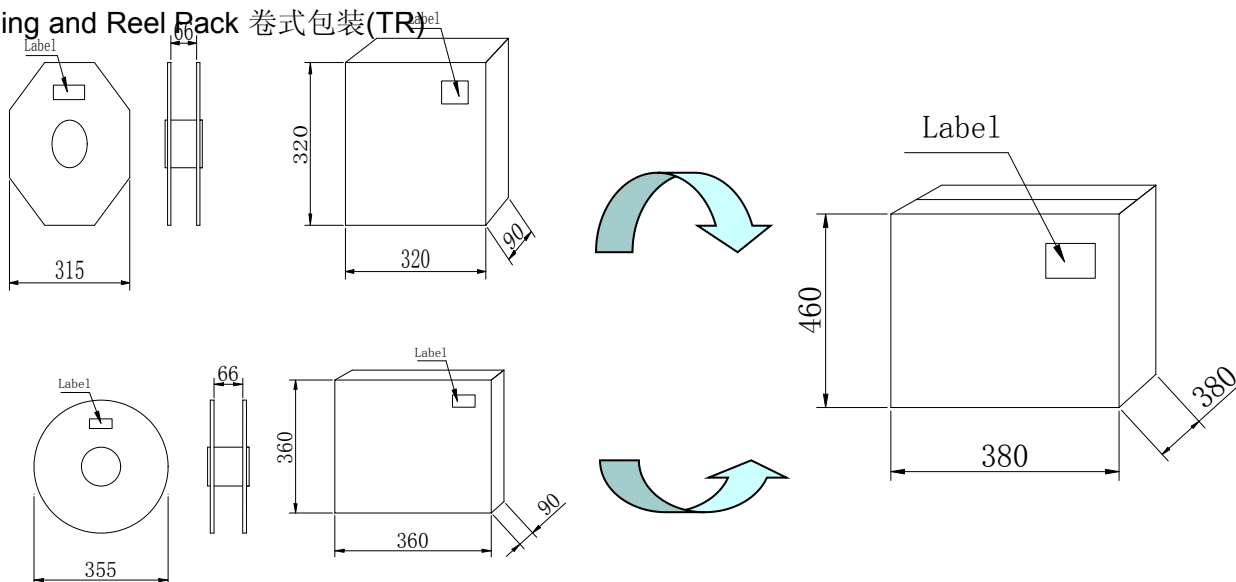
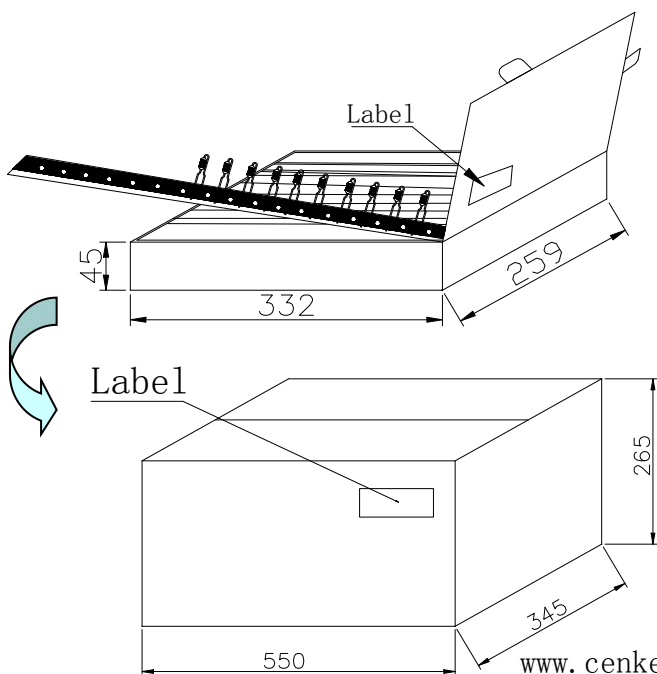


Figure2

| Type    | Quantity(Pcs) |        | Figure |
|---------|---------------|--------|--------|
|         | Reel(Box)     | Carton |        |
| CKL0204 | 5,000         | 25,000 | 1      |
| CKL0307 | 5,000         | 25,000 | 1      |
| CKL0410 | 5,000         | 25,000 | 2      |
| CKL0412 | 4,000         | 20,000 | 2      |
| CKL0510 | 3,000         | 15,000 | 2      |
| CKL0512 | 3,000         | 15,000 | 2      |
| CKL0514 | 3,000         | 15,000 | 2      |

5. Forming and Taping Pack 成型编带包装



| Type    | Quantity(Pcs) |        |
|---------|---------------|--------|
|         | Box           | Carton |
| CKL0204 | 3,000         | 30,000 |
| CKL0307 | 3,000         | 30,000 |
| CKL0410 | 3,000         | 30,000 |
| CKL0412 | 2,500         | 25,000 |
| CKL0510 | 2,500         | 25,000 |

## X-ON Electronics

Largest Supplier of Electrical and Electronic Components

*Click to view similar products for [Fixed Inductors](#) category:*

*Click to view products by [CENKER](#) manufacturer:*

Other Similar products are found below :

[MLZ1608M6R8WTD25](#) [MLZ1608N6R8LT000](#) [MLZ1608N3R3LTD25](#) [MLZ1608N3R3LT000](#) [MLZ1608N150LT000](#)

[MLZ1608M150WTD25](#) [MLZ1608M3R3WTD25](#) [MLZ1608M3R3WT000](#) [MLZ1608M150WT000](#) [MLZ1608A1R5WT000](#)

[MLZ1608N1R5LT000](#) [B82432C1333K000](#) [PCMB053T-1R0MS](#) [PCMB053T-1R5MS](#) [PCMB104T-1R5MS](#) [CR32NP-100KC](#) [CR32NP-](#)

[151KC](#) [CR32NP-180KC](#) [CR32NP-181KC](#) [CR32NP-1R5MC](#) [CR32NP-390KC](#) [CR32NP-3R9MC](#) [CR32NP-680KC](#) [CR32NP-820KC](#)

[CR32NP-8R2MC](#) [CR43NP-390KC](#) [CR43NP-560KC](#) [CR43NP-680KC](#) [CR54NP-181KC](#) [CR54NP-470LC](#) [CR54NP-820KC](#) [CR54NP-8R5MC](#)

[MGDQ4-00004-P](#) [MGDU1-00016-P](#) [MHL1ECTTP18NJ](#) [MHL1JCTTD12NJ](#) [PE-51506NL](#) [PE-53601NL](#) [PE-53630NL](#) [PE-53824SNLT](#) [PE-](#)

[62892NL](#) [PE-92100NL](#) [PG0434.801NLT](#) [PG0936.113NLT](#) [PM06-2N7](#) [PM06-39NJ](#) [HC2LP-R47-R](#) [HC2-R47-R](#) [HC3-2R2-R](#) [HC8-1R2-R](#)