

Halogen Free

Red Phosphor Free

# 产品承认书

## SPECIFICATION FOR APPROVED

版本: REV.A0

客户 : 8142D  
 Customer : \_\_\_\_\_  
 客户料号 : \_\_\_\_\_  
 Customer P/N : \_\_\_\_\_  
 品名 : **RADIAL TYPE CHOKE INDUCTOR**  
 Description : \_\_\_\_\_  
 产品型号 : **CKPK0507-120uH/K-U10**  
 CENKEN P/N : \_\_\_\_\_  
 图纸编号 : **SP-CK112-GXA13300**  
 Drawing No. : \_\_\_\_\_  
 产品编号 : \_\_\_\_\_  
 Product code. : \_\_\_\_\_

出图 DRAWING		
制表 Prepared By	审核 Checked By	批准 Approved By
覃玉云	韦秀华	钟远明
DATE: 2021/5/25		

承认 CUSTOMER APPROVAL
DATE:



**深圳市岑科实业有限公司**  
 SHENZHEN CENKER ENTERPRISE LTD.

地址:深圳市龙华区大浪街道恒大时尚慧谷6栋A区11楼

Address:11th Floor Area a Building 6 Hengda  
 Fashion Huigu ,Dalang Street,Longhua District,  
 Shenzhen P.R.China



TEL:0755-89808755 FAX:0755-27525256



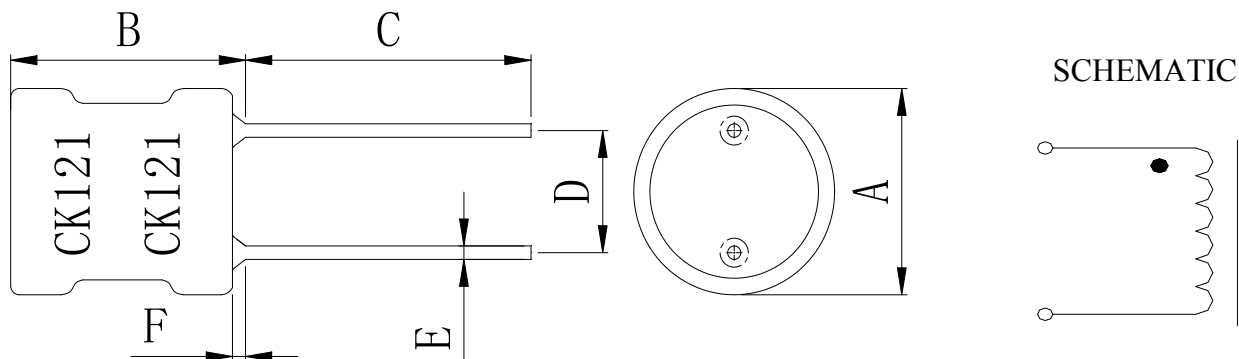
# SPECIFICATION FOR APPROVAL

Halogen Free

Red Phosphor Free

CUSTOMER	8142D	CUSTOMER No.		PAGE
CENKER P/N	CKPK0507-120uH/K-U10	DRAWING No.	SP-CK112-GXA13300	1/5
ISSUE DATE	2021/5/25	VERSION	A0	

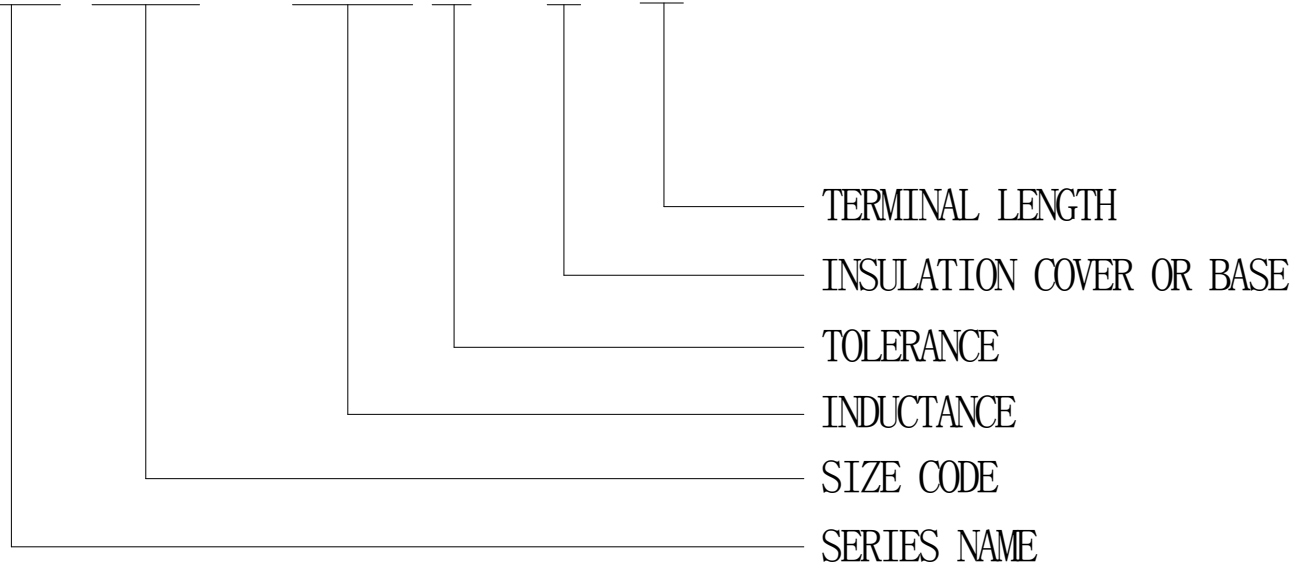
## 1、 DIMENSION (mm):



NOTE: "D" Measured at the position closed to the body

A	B	C	D	E	F
6.5Max.	9.5Max.	10.0±1.0	2.5±0.5	0.6±0.1	1.5Max.

CKPK 0507 - 120uH K - U 10



## 2、 TEMPERATURE RATING:

Operating Temperature : -25°C ~ +85°C ; Storage Temperature : -25°C ~ +85°C



深圳市岑科实业有限公司  
 SHEN ZHEN CENKER ENTERPRISE LTD.  
 TEL:0755-89808755 FAX:0755-27525256

PREPARED	CHECKED	APPROVED
覃玉云	韦秀华	钟远明

# SPECIFICATION FOR APPROVAL

**Halogen Free****Red Phosphor Free**

CUSTOMER	8142D	CUSTOMER No.		PAGE
CENKER P/N	CKPK0507-120uH/K-U10	DRAWING No.	SP-CK112-GXA13300	2/5
ISSUE DATE	2021/5/25	VERSION	A0	

### 3、 ELECTRICAL REQUIREMENTS:

ITEM	SPEC.	TOLERANCE	TEST FREQUENCY	TEST EQUIPMENT
INDUCTANCE	120uH	±10%	1kHz/0.25V	HP-4284A
DCR	0.7Ω	Max.	at 25°C	Keysight34420A
IDC	0.4A	L0A×90% Ref.	1kHz/0.25V	HP-4284A+HP-42841A

### 4、 MATERIAL LIST:

No.	Material	Specification	Supplier	Remark
1	Core	DR 5×7 or equivalent	DC	
2	Wire	Φ0.2mm×74.5Ts. Ref. (2UEW) or equivalent	YD	155°C
3	Solder	99.9% (Sn99.9) or equivalent	CS	
4	Tube	UL Φ5mm(BLACK) or equivalent	XQ/WE	
5	Epoxy	DZ-5-10 or equivalent	JDS	
6	Pin	CP Φ0.6×17.5mm or equivalent	CK	



深圳市岑科实业有限公司  
SHEN ZHEN CENKER ENTERPRISE LTD.  
TEL:0755-89808755 FAX:0755-27525256

PREPARED	CHECKED	APPROVED
覃玉云	韦秀华	钟远明

# SPECIFICATION FOR APPROVAL

Halogen Free

Red Phosphor Free

PAGE:3/5

CUSTOMER	8142D		LOT No.				
CUSTOMER No.			QUANTITY	10PCS	DATE	2021/5/25	
DRAWING No.	SP-CK112-GXA13300		<b>DIMENSION(UNIT: mm)</b> 				
CENKER P/N	CKPK0507-120uH/K-U10						
DESCRIPTION	RADIAL TYPE CHOKE INDUCTOR						
TEST FREQ	1kHz/0.25V						
TEMPERATURE	25 °C	HUMIDITY					75%

## 5.TESTING DATA:

ELECTRONICAL TEST DATA				OREALL DIMENSTON (UNIT: mm)								
	L	IDC 0.4A	DCR	A	B	C	D	E	F			
SPEC	120uH ±10%	L0A×90 % Ref.	0.7Ω Max.	6.5Max.	9.5Max.	10.0±1.0	2.5±0.5	0.6±0.1	1.5Max.			
1	119.95	114.19	0.47	5.73	8.86	10.26	2.50	0.60	0.90			
2	119.78	114.15	0.47	5.70	8.81	10.10	2.49	0.59	0.91			
3	120.81	114.82	0.47	5.67	8.90	10.20	2.48	0.60	0.81			
4	118.43	112.57	0.47	5.65	8.73	10.19	2.50	0.57	0.85			
5	120.44	114.90	0.47	5.69	8.88	10.15	2.59	0.59	0.90			
6	119.40	113.50	0.48	5.70	8.86	10.10	2.54	0.59	0.82			
7	120.36	114.38	0.47	5.67	8.85	9.91	2.48	0.57	0.87			
8	118.71	112.88	0.46	5.74	8.86	10.11	2.50	0.59	0.92			
9	119.25	113.39	0.47	5.73	8.86	10.05	2.58	0.58	0.82			
10	119.83	114.56	0.47	5.78	8.72	10.03	2.57	0.58	0.87			
$\bar{X}$	119.70	113.93	0.47	5.71	8.83	10.11	2.52	0.59	0.87			
R	2.38	2.33	0.02	0.13	0.18	0.35	0.11	0.03	0.10			

## TEST EQUIPMENT:

ALL JUDGE

OK NG

L CH-1062A HP-4284A

Q HM2801A HM9481 CJ2851

DCR Keysight34420A

SRF HM9460

IDC HP-4284A+HP-42841A HM-2713-1+HM-2791 LCR



深圳市岑科实业有限公司  
SHEN ZHEN CENKER ENTERPRISE LTD.  
TEL:0755-89808755 FAX:0755-27525256

PREPARED

CHECKED

APPROVED

覃玉云

韦秀华

钟远明

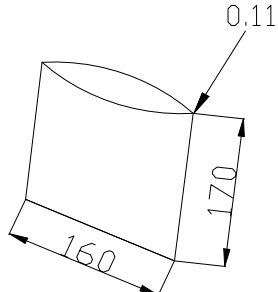
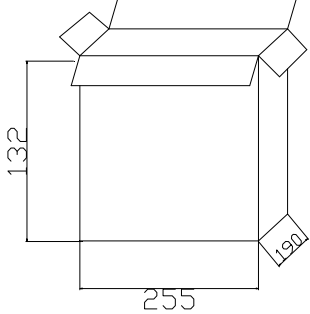
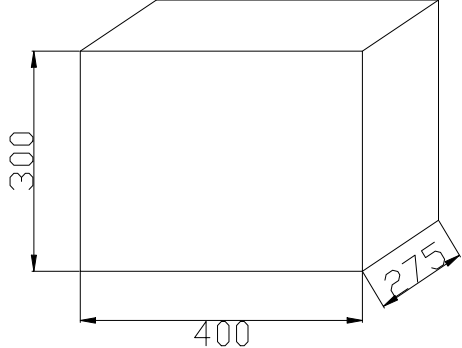
# SPECIFICATION FOR APPROVAL

Halogen Free

Red Phosphor Free

CUSTOMER	8142D	CUSTOMER No.		PAGE
CENKER P/N	CKPK0507-120uH/K-U10	DRAWING No.	SP-CK112-GXA13300	4/5
ISSUE DATE	2021/5/25	VERSION	A0	

## 6、PACKING(mm):

<p>1. PE BAG: 160*170*0.11mm ( 500PCS/BAG );</p>	
<p>2. Inner box size: : 255*190*132mm ( Loading 10PE BAG ,Quantity 5KPCS )</p>	
<p>3. Outer box: 400*275*300mm ( Loading 4 inner box , Quantity 20K/PCS )</p>	



深圳市岑科实业有限公司  
SHEN ZHEN CENKER ENTERPRISE LTD.  
TEL:0755-89808755 FAX:0755-27525256

PREPARED

CHECKED

APPROVED

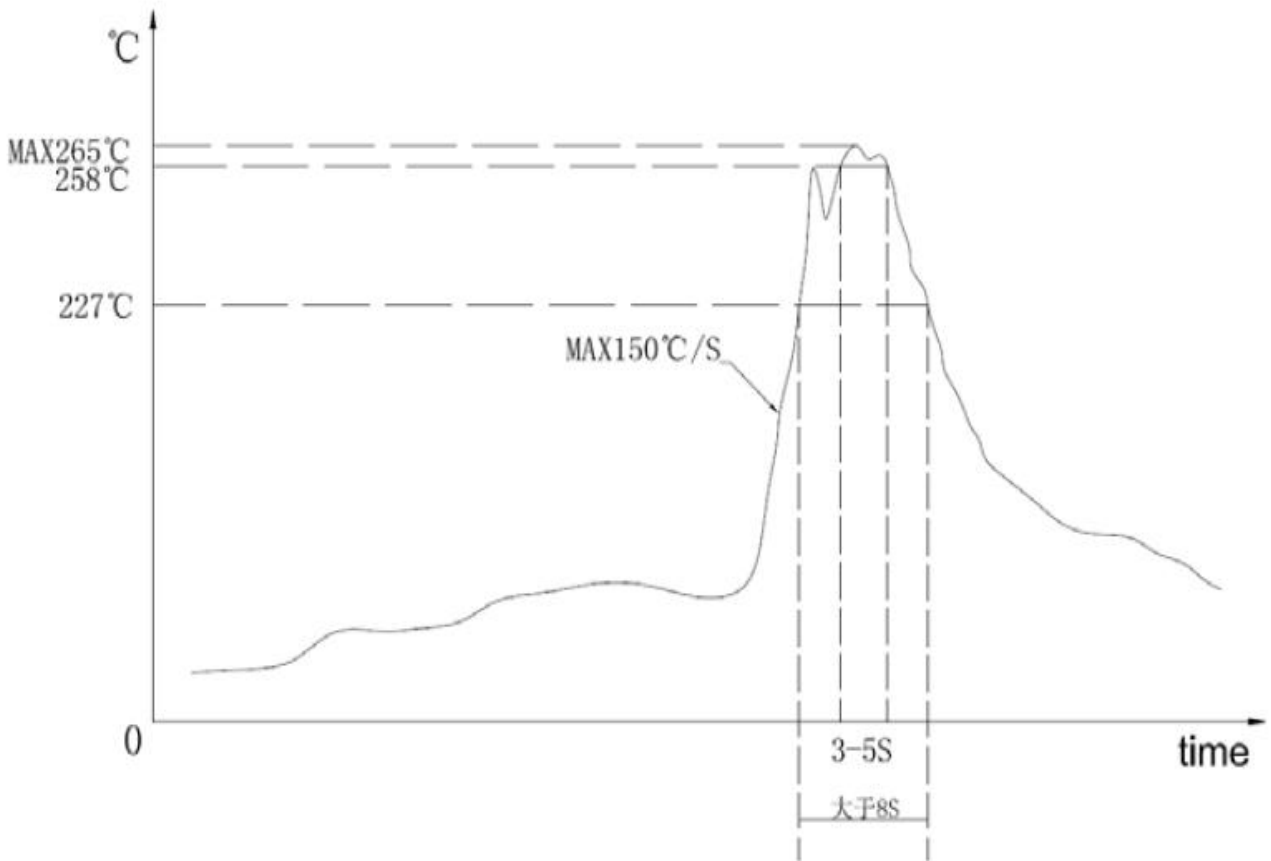
覃玉云

韦秀华

钟远明

CUSTOMER	8142D	CUSTOMER No.		PAGE
CENKER P/N	CKPK0507-120uH/K-U10	DRAWING No.	SP-CK112-GXA13300	5/5
ISSUE DATE	2021/5/25	VERSION	A0	

**7.Flow (wave) soldering curve**



Iron Soldering

Solder iron temperature: 350°C ±5°C

Welding time: 3±1seconds



深圳市岑科实业有限公司  
 SHEN ZHEN CENKER ENTERPRISE LTD.  
 TEL:0755-89808755 FAX:0755-27525256

PREPARED	CHECKED	APPROVED
覃玉云	韦秀华	钟远明

# Radial Type Choke Inductor's Reliability Testing Items

GENERAL CHARACTERISTICS					
STANDARD TESTING CONDITIONS:					
UNLESS OTHERWISE SPECIFIED, THE STANDARD RANGE OF ATMOSPHERIC CONDITIONS FOR MEASUREMENTS AND TESTS ARE AS FOLLOWS: AMBIENT TEMPERATURE: 15°C ~ 35°C. RELATIVE HUMIDITY: 25% ~ 85%. AIR PRESSURE: 86kPa ~ 106kPa.					
				Version	: A0
NO.	Items	Test Methods	Requirements	Quantity	
1	High temperature storage test	Temperature : 105°C ± 2°C Duration Time: 96 ± 4 Hours	No significant abnormality in appearance. Deviation relative to initial value: L: Within ± 5%	10	
2	Low temperature storage test	Temperature : -25°C ± 2°C Duration Time: 96 ± 4 Hours		10	
3	Humidity test	Temperature : 40°C ± 2°C Humidity : 90% ~ 95%RH Duration Time : 96 ± 4 Hours		10	
4	Thermal shock test	First -25 ± 5°C for 30 ± 3 minutes, last 85 ± 5°C 30 ± 3 minutes as 1 cycles. Go through 10 cycles.		10	
5	Resistance to soldering heat test	Fix the samples on a 1.6mm thickness PCB, then dip the sample leads into a soldering bath of 260 ± 5°C up to the PCB for 5 ± 1 seconds.		10	
6	Lead terminal strength	A static pulling force of 5N in a direction parallel to the lead terminals for 30 ± 5 seconds.		No terminal breakage or loosening.	10
7	Solder ability test	Immerse the terminal in flux for 5 seconds. Then dip the terminal into a soldering bath of 245 ± 5°C for 2.5 ± 0.5 seconds.		At least 75% of terminal electrode is covered by new solder.	10



## X-ON Electronics

Largest Supplier of Electrical and Electronic Components

*Click to view similar products for [Fixed Inductors](#) category:*

*Click to view products by [CENKER](#) manufacturer:*

Other Similar products are found below :

[CR32NP-100KC](#) [CR54NP-470LC](#) [70F224AI](#) [MGDQ4-00004-P](#) [MHQ1005P10NJ](#) [MHQ1005P1N0S](#) [MHQ1005P2N4S](#) [MHQ1005P3N6S](#)  
[MHQ1005P5N1S](#) [MHQ1005P8N2J](#) [PE-53601NL](#) [PE-53602NL](#) [PG0936.113NLT](#) [9220-20](#) [9310-16](#) [PM06-2N7](#) [PM06-39NJ](#) [A01TK](#)  
[1206CS-471XJ](#) [HC2-R47-R](#) [HC8-1R2-R](#) [HCF1305-3R3-R](#) [1206CS-151XG](#) [RCH664NP-140L](#) [RCH664NP-4R7M](#) [RCP1317NP-391L](#)  
[RCR110DNP-331L](#) [DH2280-4R7M](#) [DS1608C-106](#) [B10TJ](#) [B82498B3101J000](#) [ELJ-RE27NJF2](#) [1812CS-153XJ](#) [1812CS-183XJ](#) [1812CS-](#)  
[223XJ](#) [1812LS-104XJ](#) [1812LS-105XJ](#) [1812LS-124XJ](#) [1812LS-154XJ](#) [1812LS-223XJ](#) [1812LS-224XJ](#) [1812LS-563XJ](#) [1812LS-683XJ](#)  
[1812LS-824XJ](#) [NIN-FB101JTR110F](#) [NIN-FB471JTR62F](#) [NIN-FC1R5JTR220F](#) [NIN-HCR15JTRF](#) [NIN-HCR33JTRF](#) [NIN-HDR22JTRF](#)