

Halogen Free

Red Phosphor Free

产品承认书

SPECIFICATION FOR APPROVED

版本: REV.A0

客户

8142D

Customer

客户料号

Customer P/N

品名

RADIAL TYPE CHOKE INDUCTOR

Description

产品型号

CKPK0608-2mH/K-U15

CENKER P/N

图纸编号

SP-CK112-GXA08730

Drawing No.

产品编号

Product code.

出图

DRAWING

制表

审核

批准

Prepared By

Checked By

Approved By

覃玉云

韦秀华

梁秀勇

DATE:

2020/5/28

承认

CUSTOMER APPROVAL

DATE:

深圳市岑科实业有限公司

SHENZHEN CENKER ENTERPRISE LTD.

地址:深圳市龙华区清泉路金博龙工业园C栋

Address:Building No.C Jinbolong Industrial Estate,Qingquan Road,Longhua District, Shenzhen P.R.China

TEL:0755-89808755 FAX:0755-27525256



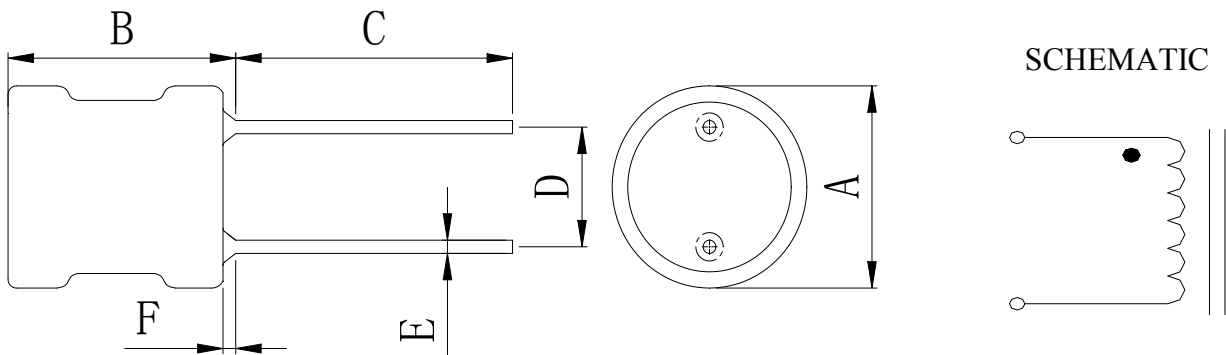
SPECIFICATION FOR APPROVAL

Halogen Free

Red Phosphor Free

CUSTOMER	8142D	CUSTOMER No.		PAGE
CENKER P/N	CKPK0608-2mH/K-U15	DRAWING No.	SP-CK112-GXA08730	1/5
ISSUE DATE	2020/5/28	VERSION	A0	

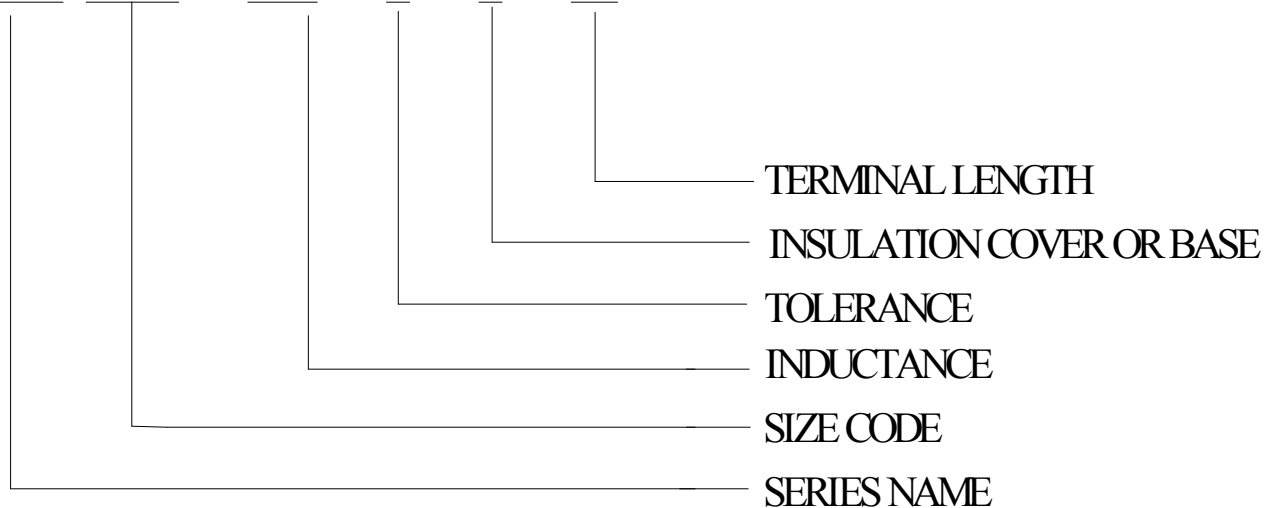
1、 DIMENSION (mm):



NOTE: "D" Measured at the position closed to the body

A	B	C	D	E	F
8.0 Max	11.0 Max	15.0±2.0	3.0±0.5	0.6±0.1	1.5 Max

CKPK 0608 - 2mH K - U 15



2、 TEMPERATURE RATING:

Operating Temperature : -25°C ~ +85°C ; Storage Temperature : -25°C ~ +85°C



深圳市岑科实业有限公司
SHEN ZHEN CENKER ENTERPRISE LTD.
TEL:0755-89808755 FAX:0755-27525256

PREPARED	CHECKED	APPROVED
覃玉云	韦秀华	梁秀勇

SPECIFICATION FOR APPROVAL

Halogen Free

Red Phosphor Free

CUSTOMER	8142D	CUSTOMER No.		PAGE
CENKER P/N	CKPK0608-2mH/K-U15	DRAWING No.	SP-CK112-GXA08730	2/5
ISSUE DATE	2020/5/28	VERSION	A0	

3、ELECTRICAL REQUIREMENTS:

ITEM	SPEC.	TOLERANCE	TEST FREQUENCY	TEST EQUIPMENT
INDUCTANCE	2mH	±10%	1kHz/0.25V	HP-4284A
DCR	9Ω	Max.	at 25°C	Keysight 34420A
IDC	0.13A	L0A×90% Ref.	1kHz/0.25V	HP-4284A+HP-42841A

4、MATERIAL LIST:

No.	Material	Specification	Supplier	Remark
1	Core	DR6×8 or equivalent	DC	
2	Wire	Φ0.12mm×282.5Ts. Ref. (2UEW) or equivalent	YD/SG	
3	Solder	Sn99.3-Cu0.7 or equivalent	CS	
4	Tube	UL Φ6mm(BLACK) or equivalent	XQ/WE	
5	Epoxy	J-600 or equivalent	CK	
6	Pin	CP Φ0.6×17.5mm or equivalent	CK	



深圳市岑科实业有限公司
SHEN ZHEN CENKER ENTERPRISE LTD.
TEL:0755-89808755 FAX:0755-27525256

PREPARED	CHECKED	APPROVED
覃玉云	韦秀华	梁秀勇

SPECIFICATION FOR APPROVAL

Halogen Free

Red Phosphor Free

PAGE:3/5

CUSTOMER	8142D		LOT No.			
CUSTOMER No.			QUANTITY	10PCS	DATE	2020/5/28
DRAWING No.	SP-CK112-GXA08730		DIMENSION(UNIT: mm)			
CENKER P/N	CKPK0608-2mH/K-U15					
DESCRIPTION	RADIAL TYPE CHOKE INDUCTOR					
TEST FREQ	1kHz/0.25V					
TEMPERATURE	25 °C	HUMIDITY				

5. TESTING DATA:

ELECTRONICAL TEST DATA				OREALL DIMENSTON (UNIT: mm)								
	L	IDC 0.13A	DCR	A	B	C	D	E	F			
SPEC	2mH ±10%	L0A×90 % Ref.	9Ω Max.	8.0 Max	11.0 Max	15.0±2.0	3.0±0.5	0.6±0.1	1.5 Max			
1	1.97	1.88	5.85	6.59	9.95	15.06	3.04	0.58	0.84			
2	1.96	1.87	5.82	6.75	10.09	15.17	3.01	0.58	0.81			
3	2.10	2.00	5.69	6.58	10.02	15.16	3.03	0.59	0.91			
4	2.08	1.98	5.62	6.62	9.99	15.06	3.01	0.57	0.85			
5	2.02	1.93	5.74	6.75	9.95	15.05	3.10	0.57	0.83			
6	1.99	1.89	5.81	6.69	10.05	15.03	3.05	0.59	0.84			
7	2.05	1.96	5.66	6.71	10.03	15.16	3.04	0.58	0.88			
8	2.07	1.97	5.78	6.61	9.93	15.17	3.06	0.58	0.90			
9	2.00	1.91	5.71	6.62	9.90	15.16	3.10	0.57	0.89			
10	1.97	1.88	5.84	6.72	10.06	15.06	3.07	0.57	0.81			
\bar{X}	2.02	1.93	5.75	6.66	10.00	15.11	3.05	0.58	0.86			
R	0.14	0.13	0.23	0.17	0.19	0.14	0.09	0.02	0.10			

TEST EQUIPMENT:

ALL JUDGE

OK NG

L CH-1062A HP-4284A

Q HM2801A HM9481 CJ2851

DCR Keysight 34420A

SRF HM9460

IDC HP-4284A+HP-42841A HM-2713-1+HM-2791 LCR



深圳市岑科实业有限公司
SHEN ZHEN CENKER ENTERPRISE LTD.
TEL:0755-89808755 FAX:0755-27525256

PREPARED

CHECKED

APPROVED

覃玉云

韦秀华

梁秀勇

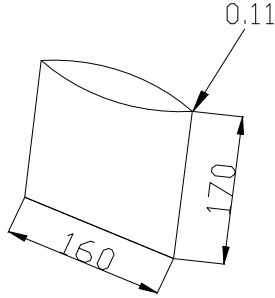
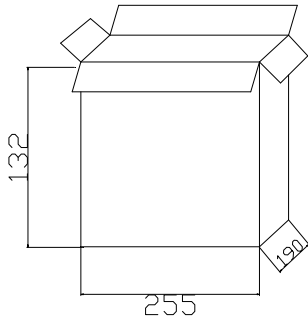
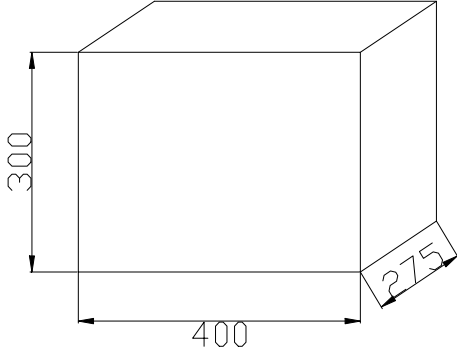
SPECIFICATION FOR APPROVAL

Halogen Free

Red Phosphor Free

CUSTOMER	8142D	CUSTOMER No.		PAGE
CENKER P/N	CKPK0608-2mH/K-U15	DRAWING No.	SP-CK112-GXA08730	4/5
ISSUE DATE	2020/5/28	VERSION	A0	

6、PACKING(mm):

<p>1. PE BAG: 160*170*0.11mm (500PCS/BAG);</p>	
<p>2. Inside the box size: 255*190*132mm (Loading 8PE BAG ,Quantity 4KPCS)</p>	
<p>3. Outer box: 400*275*300mm (Loading 4 inner box , Quantity 16K/PCS)</p>	



深圳市岑科实业有限公司

SHEN ZHEN CENKER ENTERPRISE.LTD

TEL:0755-89808755 FAX:0755-27525256

PREPARED

CHECKED

APPROVED

覃玉云

韦秀华

梁秀勇

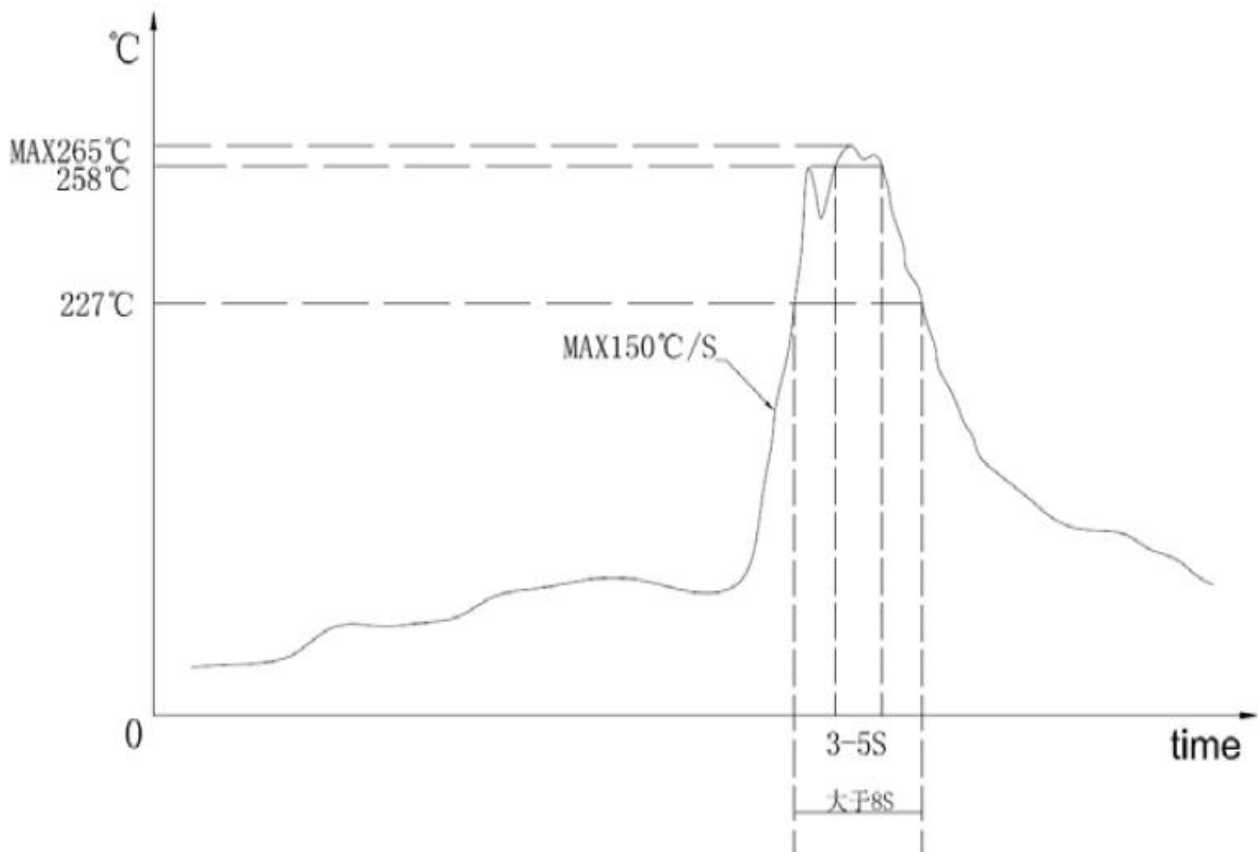
SPECIFICATION FOR APPROVAL

Halogen Free

Red Phosphor Free

CUSTOMER	8142D	CUSTOMER No.		PAGE
CENKER P/N	CKPK0608-2mH/K-U15	DRAWING No.	SP-CK112-GXA08730	5/5
ISSUE DATE	2020/5/28	VERSION	A0	

7.Flow (wave) soldering curve



Iron Soldering

Solder iron temperature: 350°C ±5°C

Welding time: 3±1seconds



深圳市岑科实业有限公司
 SHEN ZHEN CENKER ENTERPRISE LTD.
 TEL:0755-89808755 FAX:0755-27525256

PREPARED	CHECKED	APPROVED
覃玉云	韦秀华	梁秀勇

Radial Type Choke Inductor's Reliability Testing Items

GENERAL CHARACTERISTICS					
STANDARD TESTING CONDITIONS:					
UNLESS OTHERWISE SPECIFIED, THE STANDARD RANGE OF ATMOSPHERIC CONDITIONS FOR MEASUREMENTS AND TESTS ARE AS FOLLOWS: AMBIENT TEMPERATURE: 15°C ~ 35°C. RELATIVE HUMIDITY: 25% ~ 85%. AIR PRESSURE: 86kPa ~ 106kPa.					
				Version	: A0
NO.	Items	Test Methods	Requirements	Quantity	
1	High temperature storage test	Temperature : 105°C ± 2°C Duration Time: 96 ± 4 Hours	No significant abnormality in appearance. Deviation relative to initial value: L: Within ± 5%	10	
2	Low temperature storage test	Temperature : -25°C ± 2°C Duration Time: 96 ± 4 Hours		10	
3	Humidity test	Temperature : 40°C ± 2°C Humidity : 90% ~ 95%RH Duration Time : 96 ± 4 Hours		10	
4	Thermal shock test	First -25 ± 5°C for 30 ± 3 minutes, last 85 ± 5°C 30 ± 3 minutes as 1 cycles. Go through 10 cycles.		10	
5	Resistance to soldering heat test	Fix the samples on a 1.6mm thickness PCB, then dip the sample leads into a soldering bath of 260 ± 5°C up to the PCB for 5 ± 1 seconds.		10	
6	Lead terminal strength	A static pulling force of 5N in a direction parallel to the lead terminals for 30 ± 5 seconds.	No terminal breakage or loosening.	10	
7	Solder ability test	Immerse the terminal in flux for 5 seconds. Then dip the terminal into a soldering bath of 245 ± 5°C for 2.5 ± 0.5 seconds.	At least 75% of terminal electrode is covered by new solder.	10	

X-ON Electronics

Largest Supplier of Electrical and Electronic Components

Click to view similar products for [Fixed Inductors](#) category:

Click to view products by [CENKER](#) manufacturer:

Other Similar products are found below :

[CR32NP-100KC](#) [70F224AI](#) [MHQ1005P10NJ](#) [MHQ1005P1N0S](#) [MHQ1005P2N4S](#) [MHQ1005P3N6S](#) [MHQ1005P5N1S](#) [MHQ1005P8N2J](#)
[PE-53601NL](#) [PE-53602NL](#) [PG0936.113NLT](#) [9220-20](#) [9310-16](#) [PM06-2N7](#) [PM06-39NJ](#) [A01TK](#) [1206CS-471XJ](#) [HC2-R47-R](#) [HC8-1R2-R](#)
[HCF1305-3R3-R](#) [1206CS-151XG](#) [RCH664NP-4R7M](#) [RCP1317NP-391L](#) [DH2280-4R7M](#) [DS1608C-106](#) [B10TJ](#) [B82498B3101J000](#) [ELJ-](#)
[RE27NJF2](#) [1812CS-153XJ](#) [1812CS-183XJ](#) [1812CS-223XJ](#) [1812LS-104XJ](#) [1812LS-105XJ](#) [1812LS-124XJ](#) [1812LS-154XJ](#) [1812LS-223XJ](#)
[1812LS-224XJ](#) [1812LS-563XJ](#) [1812LS-683XJ](#) [1812LS-824XJ](#) [NIN-FB101JTR110F](#) [NIN-FB471JTR62F](#) [NIN-FC1R5JTR220F](#) [NIN-](#)
[HCR15JTRF](#) [NIN-HCR33JTRF](#) [NIN-HDR22JTRF](#) [NIN-HDR82JTRF](#) [NIN-HK2N7STRF](#) [NIN-PA150KTR370F](#) [NIN-PB100KTR550F](#)