

产品承认书

SPECIFICATION FOR APPROVED

版本: REV.A0

客户 : 1917
 Customer : _____
 客户料号 : _____
 Customer P/N : _____
 品名 : RADIAL TYPE CHOKE INDUCTOR
 Description : _____
 产品型号 : CKPK0608-33uH/K-U3.5
 CENKER P/N : _____
 图纸编号 : SP-CK112-GXA01414
 Drawing No. : _____
 产品编号 : _____
 Product code. : _____

| 出图 DRAWING | | |
|-------------------|------------------|-------------------|
| 制表 Prepared By | 审核 Checked By | 批准 Approved By |
| 覃玉云 | 张华萍 | 梁贵传 |
| DATE: 2017/8/8 | | |

| 承认 CUSTOMER APPROVAL |
|-------------------------|
| |
| DATE: |

深圳市岑科实业有限公司

SHENZHEN CENKER ENTERPRISE LTD.

地址:深圳市龙华区清泉路金博龙工业园C栋

Address:Building No.C Jinbolong Industrial Estate,Qingquan Road,Longhua District, Shenzhen P.R.China

TEL:0755-89808755 FAX:0755-27525256

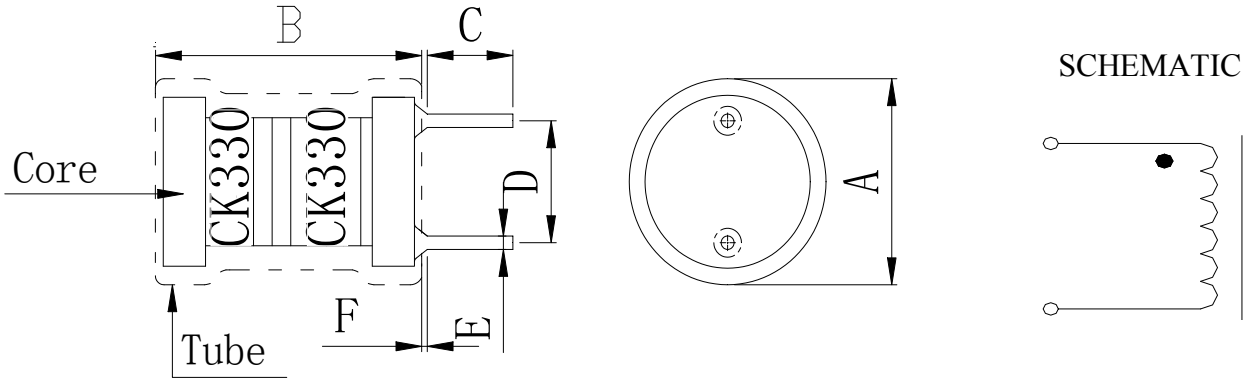


SPECIFICATION FOR APPROVAL

RoHS COMPLIANT

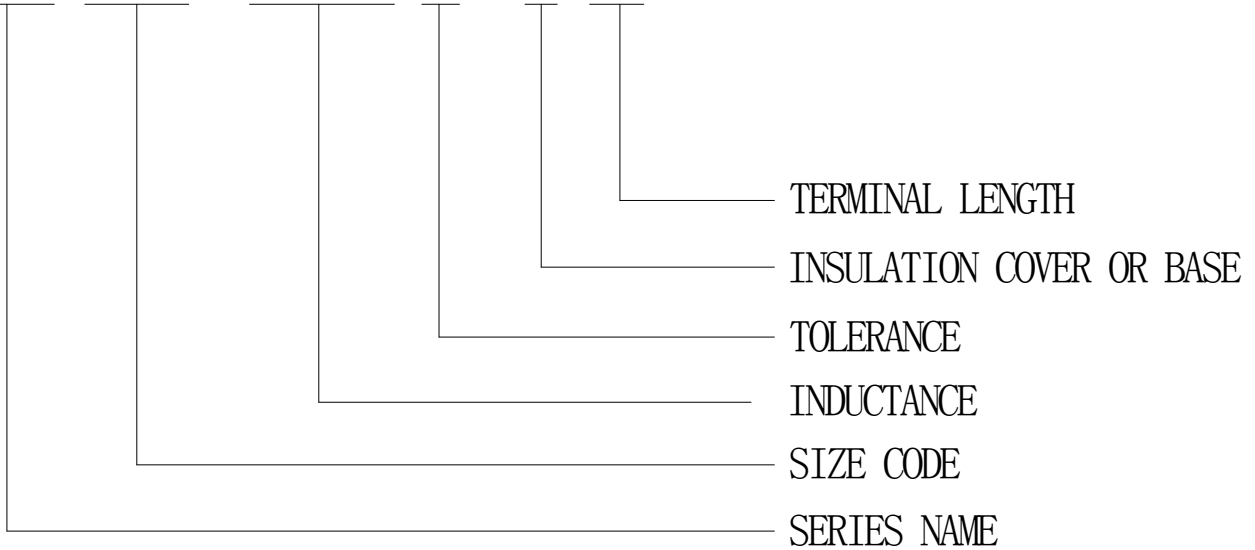
| | | | | |
|------------|----------------------|--------------|-------------------|------|
| CUSTOMER | 1917 | CUSTOMER No. | | PAGE |
| CENKER P/N | CKPK0608-33uH/K-U3.5 | DRAWING No. | SP-CK112-GXA01414 | 1/4 |
| ISSUE DATE | 2017/8/8 | VERSION | A0 | |

1、 DIMENSION (mm):



| A | B | C | D | E | F |
|---------|---------|---------|---------|----------|--------|
| 8.0 Max | 11.0Max | 3.5±0.5 | 3.0±0.5 | 0.6±0.05 | 2.0Max |

CKPK 0608 - 33uH K - U 3.5



2、 TEMPERATURE RATING:

Operating Temperature : -25°C ~ +85°C ; Storage Temperature : -25°C ~ +85°C

| | | | |
|---|----------|---------|----------|
|  <p>深圳市岑科实业有限公司 SHEN ZHEN CENKER ENTERPRISE LTD. TEL:0755-89808755 FAX:0755-27525256</p> | PREPARED | CHECKED | APPROVED |
| | 覃玉云 | 张华萍 | 梁贵传 |

SPECIFICATION FOR APPROVAL**RoHS COMPLIANT**

| | | | | |
|------------|----------------------|--------------|-------------------|------|
| CUSTOMER | 1917 | CUSTOMER No. | | PAGE |
| CENKER P/N | CKPK0608-33uH/K-U3.5 | DRAWING No. | SP-CK112-GXA01414 | 2/4 |
| ISSUE DATE | 2017/8/8 | VERSION | A0 | |

3、 ELECTRICAL REQUIREMENTS:

| ITEM | SPEC. | TOLERANCE | TEST FREQUENCY | TEST EQUIPMENT |
|------------|-------|--------------|----------------|--------------------|
| INDUCTANCE | 33uH | ±10% | 1KHz/0.25V | HP-4284A |
| DCR | 110mΩ | Max. | at 25°C | Keysight 34420A |
| IDC | 1A | L0A×90% Ref. | 1KHz/0.25V | HP-4284A+HP-42841A |

4、 MATERIAL LIST:

| No. | Material | Specification | Supplier | Remark |
|-----|----------|-------------------------------------|--|--------|
| 1 | Core | DR6×8or equivalent | SUNRISE FERRITE CORES ELECTRONIC CO.,LTD. | |
| 2 | Wire | Ø0.35mm×35.5Ts (2UEW) or equivalent | SHANTOU SHENGANG ELECTRICAL INDUSTRIAL CO., LTD. | 130°C |
| 3 | Solder | Sn99.3-Cu0.7 or equivalent | HuiZhou Chang Sheng METAL PRODUCTS CO.,LTD | |
| 4 | Tube | UL Φ6×10.5mm (BLACK) or equivalent | SHENZHEN WOER HEAT-SHRINKABLE MATERIAL CO.,LTD | |
| | | UL Φ6×10.5mm (BLACK) or equivalent | SHENZHEN XINGQI PLASTIC PRO DUCTS CO.,LTD. | |
| 5 | Epoxy | J-600 or equivalent | SHEN ZHEN CENKER ENTERPRISE LTD. | |
| 6 | Pin | CP Φ0.6*17.5mm or equivalent | JIANGXI BAICHUAN ELECTRIC CONDUCTOR CO.,LTD | |



深圳市岑科实业有限公司
 SHEN ZHEN CENKER ENTERPRISE LTD.
 TEL:0755-89808755 FAX:0755-27525256

| PREPARED | CHECKED | APPROVED |
|----------|---------|----------|
| 覃玉云 | 张华萍 | 梁贵传 |

SPECIFICATION FOR APPROVAL

RoHS COMPLIANT

PAGE:3/4

| | | | | | |
|--------------|----------------------------|---------------------|-------|------|----------|
| CUSTOMER | 1917 | LOT No. | | | |
| CUSTOMER No. | | QUANTITY | 10PCS | DATE | 2017/8/8 |
| DRAWING No. | SP-CK112-GXA01414 | DIMENSION(UNIT: mm) | | | |
| CENKER P/N | CKPK0608-33uH/K-U3.5 | | | | |
| DESCRIPTION | RADIAL TYPE CHOKE INDUCTOR | | | | |
| TEST FREQ | 1KHz/0.25V | | | | |
| TEMPERATURE | 25 °C | | | | |

5. TESTING DATA:

| ELECTRONICAL TEST DATA | | | | OREALL DIMENSTON (UNIT: mm) | | | | | | | | | |
|------------------------|--------------|-----------------|--------------|-----------------------------|---------|---------|---------|----------|--------|--|--|--|--|
| | L | IDC 1A | DCR | A | B | C | D | E | F | | | | |
| SPEC | 33uH ±10% | L0A×90% Ref. | 110mΩ MAX | 8.0 Max | 11.0Max | 3.5±0.5 | 3.0±0.5 | 0.6±0.05 | 2.0Max | | | | |
| 1 | 32.70 | 31.29 | 81.75 | 6.62 | 10.05 | 3.55 | 3.07 | 0.59 | 1.42 | | | | |
| 2 | 32.50 | 31.01 | 81.36 | 6.63 | 10.09 | 3.56 | 3.05 | 0.58 | 1.42 | | | | |
| 3 | 33.20 | 31.57 | 81.03 | 6.59 | 10.05 | 3.58 | 3.06 | 0.58 | 1.40 | | | | |
| 4 | 32.50 | 30.97 | 81.48 | 6.64 | 10.07 | 3.59 | 3.05 | 0.57 | 1.46 | | | | |
| 5 | 32.70 | 31.07 | 81.73 | 6.60 | 10.06 | 3.59 | 3.09 | 0.59 | 1.45 | | | | |
| 6 | 32.90 | 31.55 | 81.56 | 6.59 | 10.03 | 3.57 | 3.08 | 0.59 | 1.43 | | | | |
| 7 | 33.00 | 31.42 | 81.24 | 6.65 | 10.02 | 3.55 | 3.06 | 0.58 | 1.43 | | | | |
| 8 | 33.30 | 31.67 | 81.69 | 6.62 | 10.07 | 3.55 | 3.04 | 0.57 | 1.44 | | | | |
| 9 | 32.50 | 30.97 | 81.37 | 6.64 | 10.07 | 3.52 | 3.06 | 0.58 | 1.45 | | | | |
| 10 | 32.70 | 31.20 | 81.64 | 6.61 | 10.01 | 3.55 | 3.08 | 0.59 | 1.46 | | | | |
| \bar{X} | 32.80 | 31.27 | 81.49 | 6.62 | 10.05 | 3.56 | 3.06 | 0.58 | 1.44 | | | | |
| R | 0.80 | 0.70 | 0.72 | 0.06 | 0.08 | 0.07 | 0.05 | 0.02 | 0.06 | | | | |

TEST EQUIPMENT: ALL JUDGE OK NG

L CH-1062A HP-4284A
 Q HM2801A HM9481 CJ2851
 DCR Keysight 34420A
 SRF HM9460
 IDC HP-4284A+HP-42841A HM-2713-1+HM-2791 LCR

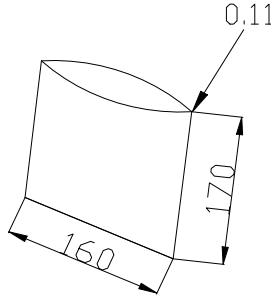
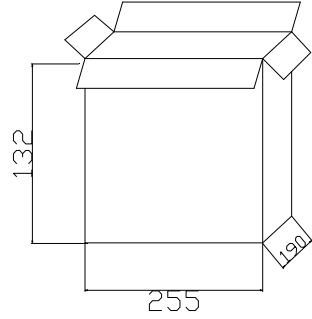
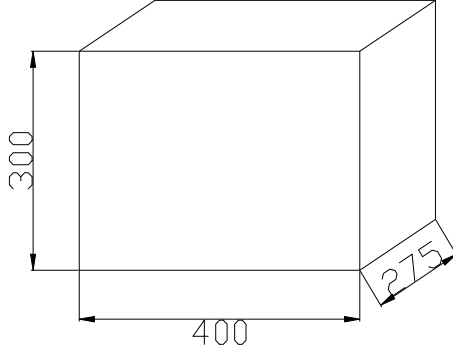
| | | | |
|---|----------|---------|----------|
| <p>深圳市岑科实业有限公司 SHEN ZHEN CENKER ENTERPRISE LTD. TEL:0755-89808755 FAX:0755-27525256</p> | PREPARED | CHECKED | APPROVED |
| | 覃玉云 | 张华萍 | 梁贵传 |

SPECIFICATION FOR APPROVAL

RoHS COMPLIANT

| | | | | |
|------------|----------------------|--------------|-------------------|------|
| CUSTOMER | 1917 | CUSTOMER No. | | PAGE |
| CENKER P/N | CKPK0608-33uH/K-U3.5 | DRAWING No. | SP-CK112-GXA01414 | 4/4 |
| ISSUE DATE | 2017/8/8 | VERSION | A0 | |

6、PACKING(mm):

| | |
|---|--|
| <p>1. PE BAG: 160*170*0.11mm (500 PCS/BAG);</p> |  |
| <p>2. Inside the box size: 255*190*132mm (Loading 10PE BAG ,Quantity5K/PCS)</p> |  |
| <p>3. Outer box: 400*275*300mm (Loading4 inner box , Quantity 20K/PCS)</p> |  |



深圳市岑科实业有限公司
SHEN ZHEN CENKER ENTERPRISE LTD.
TEL:0755-89808755 FAX:0755-27525256

| | | |
|----------|---------|----------|
| PREPARED | CHECKED | APPROVED |
|----------|---------|----------|

覃玉云

张华萍

梁贵传

X-ON Electronics

Largest Supplier of Electrical and Electronic Components

Click to view similar products for [Fixed Inductors](#) category:

Click to view products by [CENKER](#) manufacturer:

Other Similar products are found below :

[CR32NP-100KC](#) [70F224AI](#) [MHQ1005P10NJ](#) [MHQ1005P1N0S](#) [MHQ1005P2N4S](#) [MHQ1005P3N6S](#) [MHQ1005P5N1S](#) [MHQ1005P8N2J](#)
[PE-53601NL](#) [PE-53602NL](#) [PG0936.113NLT](#) [9220-20](#) [9310-16](#) [PM06-2N7](#) [PM06-39NJ](#) [A01TK](#) [1206CS-471XJ](#) [HC2-R47-R](#) [HC8-1R2-R](#)
[HCF1305-3R3-R](#) [1206CS-151XG](#) [RCH664NP-4R7M](#) [RCP1317NP-391L](#) [DH2280-4R7M](#) [DS1608C-106](#) [B10TJ](#) [B82498B3101J000](#) [ELJ-](#)
[RE27NJF2](#) [1812CS-153XJ](#) [1812CS-183XJ](#) [1812CS-223XJ](#) [1812LS-104XJ](#) [1812LS-105XJ](#) [1812LS-124XJ](#) [1812LS-154XJ](#) [1812LS-223XJ](#)
[1812LS-224XJ](#) [1812LS-563XJ](#) [1812LS-683XJ](#) [1812LS-824XJ](#) [NIN-FB101JTR110F](#) [NIN-FB471JTR62F](#) [NIN-FC1R5JTR220F](#) [NIN-](#)
[HCR15JTRF](#) [NIN-HCR33JTRF](#) [NIN-HDR22JTRF](#) [NIN-HDR82JTRF](#) [NIN-HK2N7STRF](#) [NIN-PA150KTR370F](#) [NIN-PB100KTR550F](#)