

# 产品承认书

## SPECIFICATION FOR APPROVED

版本: REV.A0

客户	:	1957
Customer	:	_____
客户料号	:	DFDG00218-20-R
Customer P/N	:	_____
品名	:	RADIAL TYPE CHOKE INDUCTOR
Description	:	_____
产品型号	:	CKPK0608-850uH/K-U15
CENKER P/N	:	_____
图纸编号	:	SP-CK112-00044514
Drawing No.	:	_____
产品编号	:	_____
Product code.	:	_____

出图 DRAWING		
制表 Prepared By	审核 Checked By	批准 Approved By
蒋燕萍	蒋燕萍	梁贵传
DATE: 2018-3-13		

承认 CUSTOMER APPROVAL
DATE:

### 深圳市岑科实业有限公司

#### SHENZHEN CENKER ENTERPRISE LTD.

地址:深圳市龙华区清泉路金博龙工业园C栋

Address: Building No.C Jinbolong Industrial  
Estate, Qingquan Road, Longhua District, Shenzhen  
P.R.China

TEL:0755-89808755 FAX:0755-27525256



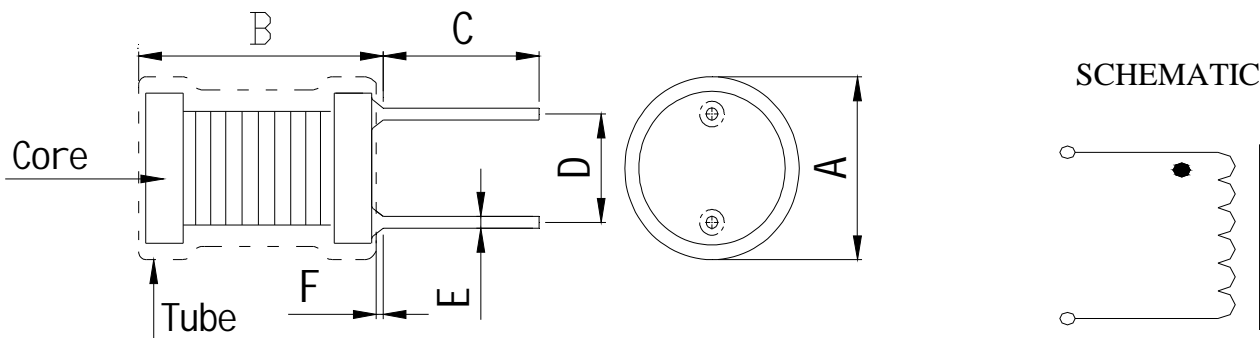


# SPECIFICATION FOR APPROVAL

**RoHS COMPLIANT**

CUSTOMER	1957	CUSTOMER No.	DFDG00218-20-R	PAGE
CENKER P/N	CKPK0608-850uH/K-U15	DRAWING No.	SP-CK112-00044514	1/4
ISSUE DATE	2018-3-13	VERSION	A0	

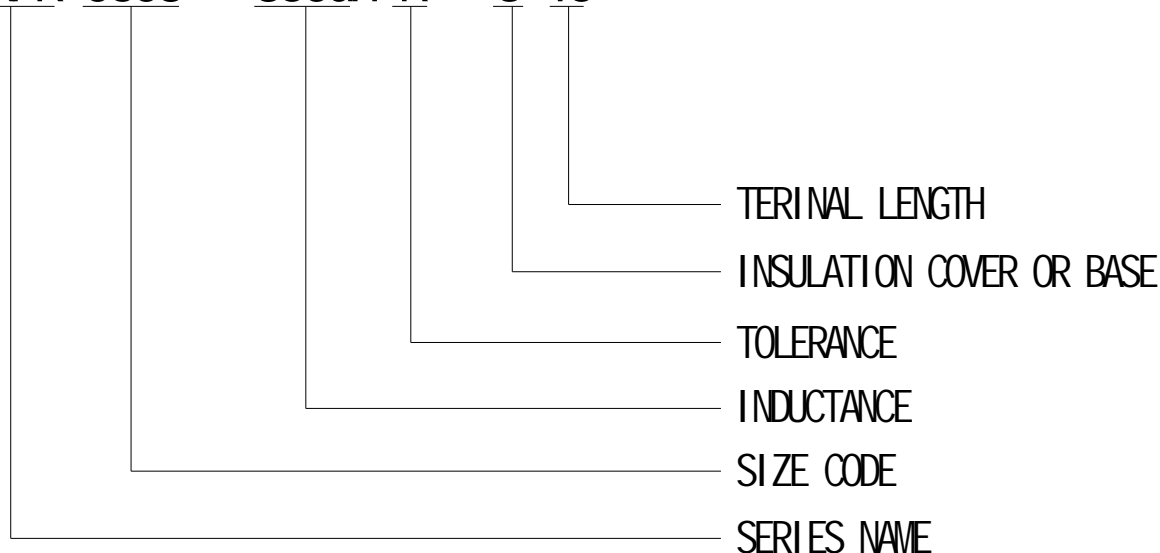
## 1、 DIMENSION (mm):



NOTE:1. "D" Measured at the position closed to the body  
 2. The products need to be varnished

A	B	C	D	E	F
8.0 Max	11.0 Max	15.0±2.0	3.0±0.5	0.6±0.05	2.0 Max

**CKPK 0608 - 850uH K - U 15**



## 2、 TEMPERATURE RATING:

Operating Temperature : -40°C ~ +125°C ; Storage Temperature : -40°C ~ +125°C



深圳市岑科实业有限公司  
 SHEN ZHEN CENKER ENTERPRISE LTD.  
 TEL:0755-89808755 FAX:0755-27525256

PREPARED	CHECKED	APPROVED
蒋燕萍	蒋燕萍	梁贵传

# SPECIFICATION FOR APPROVAL

**RoHS COMPLIANT**

CUSTOMER	1957	CUSTOMER No.	DFDG00218-20-R	PAGE
CENKER P/N	CKPK0608-850uH/K-U15	DRAWING No.	SP-CK112-00044514	2/4
ISSUE DATE	2018-3-13	VERSION	A0	

### 3、ELECTRICAL REQUIREMENTS:

ITEM	SPEC.	TOLERANCE	TEST FREQUENCY	TEST EQUIPMENT
INDUCTANCE	850uH	±10%	1kHz/0.25V	HP-4284A
DCR	2.6Ω	Max.	at 25℃	Keysight 34420A
IDC	0.15A	L0A×90% Ref.	1kHz/0.25V	HP-4284A+HP-42841A

### 4、MATERIAL LIST:

No.	Material	Specification	Supplier	Remark
1	Core	NiZn Ferrite DR6×8 SR60	6006	
2	Wire	Φ0.16mm×180.5Ts Ref. (2UEW) or equivalent	6177	155℃
3	Solder	Sn99.3-Cu0.7 or equivalent	6050	
4	Tube	UL Φ6mm(BLACK) or equivalent	6206	
5	Epoxy	J-600 or equivalent	5163	
6	Pin	CP Φ0.6×17.5mm or equivalent	6565	
7	Varnish	844 or equivalent	6906	



深圳市岑科实业有限公司  
 SHEN ZHEN CENKER ENTERPRISE LTD.  
 TEL:0755-89808755 FAX:0755-27525256

PREPARED	CHECKED	APPROVED
蒋燕萍	蒋燕萍	梁贵传

# SPECIFICATION FOR APPROVAL

**RoHS COMPLIANT**

PAGE:3/4

CUSTOMER	1957	LOT No.			
CUSTOMER No.	DFDG00218-20-R	QUANTITY	10PCS	DATE	2018-3-13
DRAWING No.	SP-CK112-00044514	DIMENSION(UNIT: mm)			
CENKER P/N	CKPK0608-850uH/K-U15				
DESCRIPTION	RADIAL TYPE CHOKE INDUCTOR				
TEST FREQ	1kHz/0.25V				
TEMPERATURE	25 °C				

## 5.TESTING DATA:

ELECTRONICAL TEST DATA				OREALL DIMENSTON (UNIT: mm)								
	L	IDC 0.15A	DCR	A	B	C	D	E	F			
SPEC	850uH ±10%	LOA× 90% Ref.	2.6Ω Max.	8.0 Max	11.0 Max	15.0±2.0	3.0±0.5	0.6±0.05	2.0 Max			
1	851.50	809.78	1.96	6.60	9.92	15.29	3.06	0.57	1.16			
2	850.51	809.69	2.01	6.57	9.89	15.35	2.98	0.59	1.15			
3	850.51	809.69	2.02	6.59	9.94	15.27	3.03	0.59	1.05			
4	850.21	808.55	1.98	6.57	9.90	15.36	2.98	0.57	1.15			
5	851.01	809.31	2.02	6.65	9.91	15.31	3.00	0.57	1.12			
6	850.21	807.70	2.03	6.63	9.96	15.33	3.00	0.57	1.05			
7	850.14	808.48	2.05	6.57	9.92	15.29	3.05	0.58	1.16			
8	850.21	809.40	1.98	6.63	9.92	15.29	3.00	0.58	1.21			
9	850.14	809.33	1.96	6.61	9.92	15.28	3.05	0.57	1.14			
10	850.41	810.44	1.98	6.63	9.89	15.28	3.02	0.57	1.12			
$\bar{X}$	850.49	809.24	2.00	6.61	9.92	15.31	3.02	0.58	1.13			
R	1.36	2.74	0.09	0.08	0.07	0.09	0.08	0.02	0.16			

## TEST EQUIPMENT:

ALL JUDGE

OK NG

L CH-1062A HP-4284A

Q HM2801A HM9481 CJ2851

DCR Keysight 34420A

SRF HM9460

IDC HP-4284A+HP-42841A HM-2713-1+HM-2791 LCR



深圳市岑科实业有限公司  
 SHEN ZHEN CENKER ENTERPRISE LTD.  
 TEL:0755-89808755 FAX:0755-27525256

PREPARED

CHECKED

APPROVED

蒋燕萍

蒋燕萍

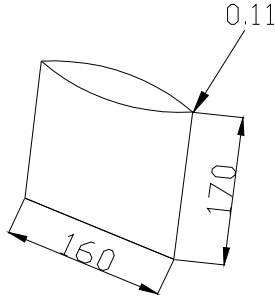
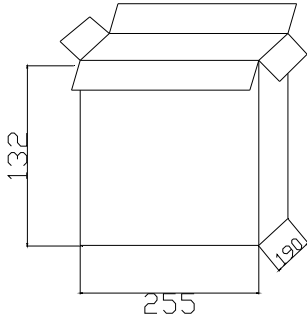
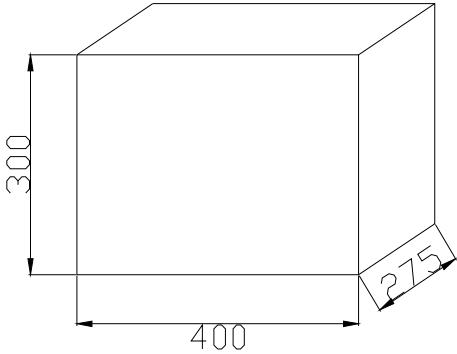
梁贵传

# SPECIFICATION FOR APPROVAL

**RoHS COMPLIANT**

CUSTOMER	1957	CUSTOMER No.	DFDG00218-20-R	PAGE
CENKER P/N	CKPK0608-850uH/K-U15	DRAWING No.	SP-CK112-00044514	4/4
ISSUE DATE	2018-3-13	VERSION	A0	

## 6、PACKING(mm):

<p>1. PE BAG: 160*170*0.11mm ( 500PCS/BAG );</p>	
<p>2. Inside the box size: 255*190*132mm ( Loading 8PE BAG ,Quantity 4KPCS )</p>	
<p>3. Outer box: 400*275*300mm ( Loading 4 inner box , Quantity 16K/PCS )</p>	



深圳市岑科实业有限公司

SHEN ZHEN CENKER ENTERPRISE.LTD

TEL: 0755-89808755 FAX: 0755-27525256

PREPARED	CHECKED	APPROVED
----------	---------	----------

蒋燕萍

蒋燕萍

梁贵传

## X-ON Electronics

Largest Supplier of Electrical and Electronic Components

*Click to view similar products for [Fixed Inductors](#) category:*

*Click to view products by [CENKER](#) manufacturer:*

Other Similar products are found below :

[CR32NP-100KC](#) [CR54NP-470LC](#) [70F224AI](#) [MGDQ4-00004-P](#) [MHQ1005P10NJ](#) [MHQ1005P1N0S](#) [MHQ1005P2N4S](#) [MHQ1005P3N6S](#)  
[MHQ1005P5N1S](#) [MHQ1005P8N2J](#) [PE-53601NL](#) [PE-53602NL](#) [PG0936.113NLT](#) [9220-20](#) [9310-16](#) [PM06-2N7](#) [PM06-39NJ](#) [A01TK](#)  
[1206CS-471XJ](#) [HC2-R47-R](#) [HC8-1R2-R](#) [HCF1305-3R3-R](#) [1206CS-151XG](#) [RCH664NP-140L](#) [RCH664NP-4R7M](#) [RCP1317NP-391L](#)  
[RCR110DNP-331L](#) [DH2280-4R7M](#) [DS1608C-106](#) [B10TJ](#) [B82498B3101J000](#) [ELJ-RE27NJF2](#) [1812CS-153XJ](#) [1812CS-183XJ](#) [1812CS-](#)  
[223XJ](#) [1812LS-104XJ](#) [1812LS-105XJ](#) [1812LS-124XJ](#) [1812LS-154XJ](#) [1812LS-223XJ](#) [1812LS-224XJ](#) [1812LS-563XJ](#) [1812LS-683XJ](#)  
[1812LS-824XJ](#) [NIN-FB101JTR110F](#) [NIN-FB471JTR62F](#) [NIN-FC1R5JTR220F](#) [NIN-HCR15JTRF](#) [NIN-HCR33JTRF](#) [NIN-HDR22JTRF](#)