

# 产品承认书

## SPECIFICATION FOR APPROVED

版本: REV.A0

|               |   |                            |
|---------------|---|----------------------------|
| 客 户           | : | 2440                       |
| Customer      | : | _____                      |
| 客户料号          | : | 122005000133               |
| Customer P/N  | : | _____                      |
| 品 名           | : | RADIAL TYPE CHOKE INDUCTOR |
| Description   | : | _____                      |
| 产品型号          | : | CKPK0810-4.4mH/K-U3.2      |
| CENKER P/N    | : | _____                      |
| 图纸编号          | : | SP-CK112-GXA07126          |
| Drawing No.   | : | _____                      |
| 产品编号          | : | _____                      |
| Product code. | : | _____                      |

| 出图<br>DRAWING     |                  |                   |
|-------------------|------------------|-------------------|
| 制表<br>Prepared By | 审核<br>Checked By | 批准<br>Approved By |
| 覃玉云               | 韦秀华              | 梁贵传               |
| DATE: 2020/2/21   |                  |                   |

| 承认<br>CUSTOMER APPROVAL |
|-------------------------|
|                         |
| DATE:                   |



深圳市岑科实业有限公司  
SHENZHEN CENKER ENTERPRISE LTD.

地址:深圳市龙华区清泉路金博龙工业园C栋  
Address: Building No.C Jinbolong Industrial  
Estate, Qingquan Road, Longhua District, Shenzhen  
P.R.China



TEL:0755-89808755 FAX:0755-27525256

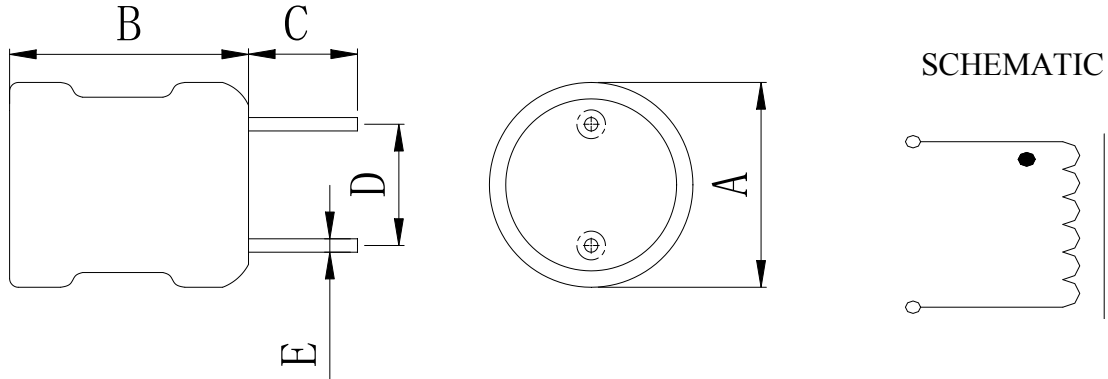


# SPECIFICATION FOR APPROVAL

**RoHS COMPLIANT**

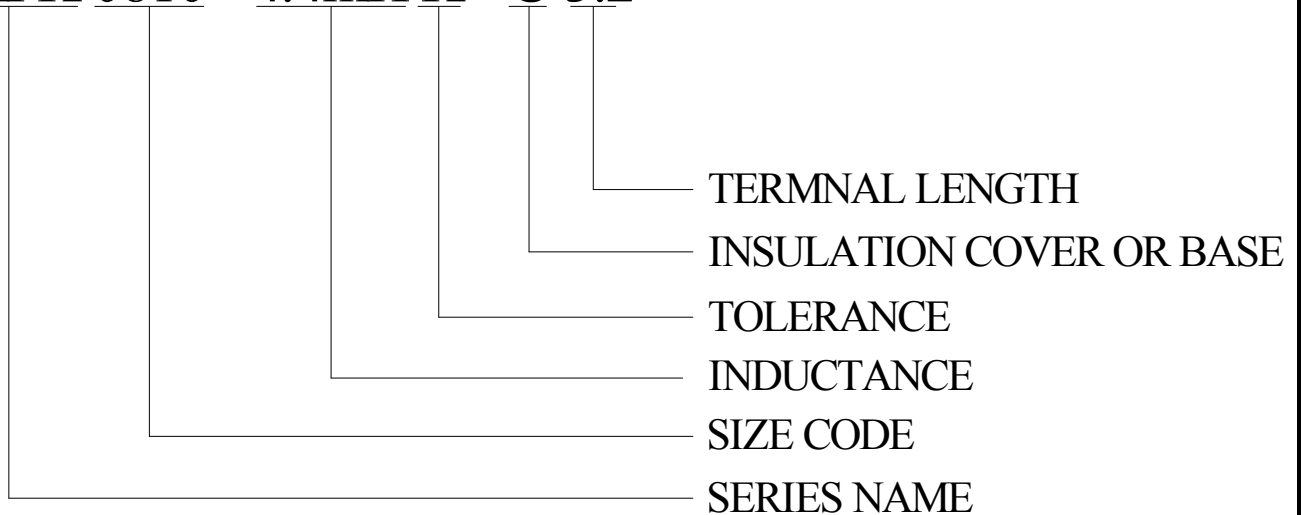
|            |                       |              |                   |      |
|------------|-----------------------|--------------|-------------------|------|
| CUSTOMER   | 2440                  | CUSTOMER No. | 122005000133      | PAGE |
| CENKER P/N | CKPK0810-4.4mH/K-U3.2 | DRAWING No.  | SP-CK112-GXA07126 | 1/4  |
| ISSUE DATE | 2020/2/21             | VERSION      | A0                |      |

## 1、 DIMENSION (mm):



| A        | B       | C       | D       | E       |
|----------|---------|---------|---------|---------|
| 10.0 Max | 14.0Max | 3.2±0.5 | 5.0±0.5 | 0.6±0.1 |

## CKPK 0810 - 4.4mH K - U 3.2



## 2、 TEMPERATURE RATING:

Operating Temperature : -25°C ~ +85°C ; Storage Temperature : -25°C ~ +85°C

|   |          |         |          |
|---|----------|---------|----------|
|  <p>深圳市岑科实业有限公司<br/>SHEN ZHEN CENKER ENTERPRISE LTD.<br/>TEL:0755-89808755 FAX:0755-27525256</p> | PREPARED | CHECKED | APPROVED |
|   | 覃玉云      | 韦秀华     | 梁贵传      |

**SPECIFICATION FOR APPROVAL****RoHS COMPLIANT**

|            |                       |              |                   |      |
|------------|-----------------------|--------------|-------------------|------|
| CUSTOMER   | 2440                  | CUSTOMER No. | 122005000133      | PAGE |
| CENKER P/N | CKPK0810-4.4mH/K-U3.2 | DRAWING No.  | SP-CK112-GXA07126 | 2/4  |
| ISSUE DATE | 2020/2/21             | VERSION      | A0                |      |

**3、 ELECTRICAL REQUIREMENTS:**

| ITEM       | SPEC. | TOLERANCE    | TEST FREQUENCY | TEST EQUIPMENT     |
|------------|-------|--------------|----------------|--------------------|
| INDUCTANCE | 4.4mH | ±10%         | 1kHz/0.3V      | HP-4284A           |
| DCR        | 11Ω   | Max.         | at 25°C        | Keysight 34420A    |
| IDC        | 0.23A | L0A×85% Ref. | 1kHz/0.3V      | HP-4284A+HP-42841A |

**4、 MATERIAL LIST:**

| No. | Material | Specification                              | Supplier  | Remark |
|-----|----------|--|-----------|--------|
| 1   | Core     | DR8×10 or equivalent                       | 6006      |        |
| 2   | Wire     | ∅0.14mm×363.5Ts. Ref. (2UEW) or equivalent | 6030      |        |
| 3   | Solder   | Sn99.3-Cu0.7 or equivalent                 | 6050      |        |
| 4   | Tube     | UL ∅8mm(BLACK) or equivalent               | 6909/6206 |        |
| 5   | Epoxy    | J-600 or equivalent                        | 5163      |        |
| 6   | Pin      | CP ∅0.6×17.5mm or equivalent               | 5163      |        |



深圳市岑科实业有限公司  
 SHEN ZHEN CENKER ENTERPRISE LTD.  
 TEL:0755-89808755 FAX:0755-27525256

| PREPARED | CHECKED | APPROVED |
|----------|---------|----------|
| 覃玉云      | 韦秀华     | 梁贵传      |

# SPECIFICATION FOR APPROVAL

**RoHS COMPLIANT**

PAGE:3/4

|              |                            |          |                     |       |      |           |
|--------------|----------------------------|----------|---------------------|-------|------|-----------|
| CUSTOMER     | 2440                       |          | LOT No.             |       |      |           |
| CUSTOMER No. | 122005000133               |          | QUANTITY            | 10PCS | DATE | 2020/2/21 |
| DRAWING No.  | SP-CK112-GXA07126          |          | DIMENSION(UNIT: mm) |       |      |           |
| CENKER P/N   | CKPK0810-4.4mH/K-U3.2      |          |                     |       |      |           |
| DESCRIPTION  | RADIAL TYPE CHOKE INDUCTOR |          |                     |       |      |           |
| TEST FREQ    | 1kHz/0.3V                  |          |                     |       |      |           |
| TEMPERATURE  | 25 °C                      | HUMIDITY |                     |       |      |           |

## 5. TESTING DATA:

| ELECTRONICAL TEST DATA |               |                  |             | OREALL DIMENSTON (UNIT: mm) |         |         |         |         |  |  |  |  |  |  |
|------------------------|---------------|------------------|-------------|-----------------------------|---------|---------|---------|---------|--|--|--|--|--|--|
|                        | L             | IDC<br>0.23A     | DCR         | A                           | B       | C       | D       | E       |  |  |  |  |  |  |
| SPEC                   | 4.4mH<br>±10% | L0A×85<br>% Ref. | 11Ω<br>Max. | 10.0 Max                    | 14.0Max | 3.2±0.5 | 5.0±0.5 | 0.6±0.1 |  |  |  |  |  |  |
| 1                      | 4.43          | 4.23             | 7.45        | 8.62                        | 11.97   | 3.27    | 5.04    | 0.58    |  |  |  |  |  |  |
| 2                      | 4.33          | 4.13             | 7.41        | 8.62                        | 11.96   | 3.19    | 5.06    | 0.59    |  |  |  |  |  |  |
| 3                      | 4.41          | 4.21             | 7.27        | 8.62                        | 12.01   | 3.27    | 5.03    | 0.58    |  |  |  |  |  |  |
| 4                      | 4.42          | 4.22             | 7.35        | 8.63                        | 11.93   | 3.25    | 5.02    | 0.58    |  |  |  |  |  |  |
| 5                      | 4.40          | 4.20             | 7.41        | 8.68                        | 11.98   | 3.25    | 5.01    | 0.58    |  |  |  |  |  |  |
| 6                      | 4.36          | 4.17             | 7.36        | 8.67                        | 11.94   | 3.24    | 5.03    | 0.58    |  |  |  |  |  |  |
| 7                      | 4.35          | 4.15             | 7.29        | 8.61                        | 12.00   | 3.19    | 5.04    | 0.58    |  |  |  |  |  |  |
| 8                      | 4.44          | 4.23             | 7.40        | 8.67                        | 12.02   | 3.27    | 5.02    | 0.57    |  |  |  |  |  |  |
| 9                      | 4.43          | 4.23             | 7.28        | 8.60                        | 11.94   | 3.21    | 5.02    | 0.59    |  |  |  |  |  |  |
| 10                     | 4.37          | 4.16             | 7.32        | 8.67                        | 11.97   | 3.19    | 5.02    | 0.57    |  |  |  |  |  |  |
| $\bar{X}$              | 4.39          | 4.19             | 7.35        | 8.64                        | 11.97   | 3.23    | 5.03    | 0.58    |  |  |  |  |  |  |
| R                      | 0.11          | 0.10             | 0.18        | 0.08                        | 0.09    | 0.09    | 0.05    | 0.02    |  |  |  |  |  |  |

## TEST EQUIPMENT:

ALL JUDGE

OK  NG

L CH-1062A HP-4284A

Q HM2801A HM9481 CJ2851

DCR Keysight 34420A

SRF HM9460

IDC HP-4284A+HP-42841A HM-2713-1+HM-2791 LCR



深圳市岑科实业有限公司  
SHEN ZHEN CENKER ENTERPRISE LTD.  
TEL:0755-89808755 FAX:0755-27525256

PREPARED

CHECKED

APPROVED

覃玉云

韦秀华

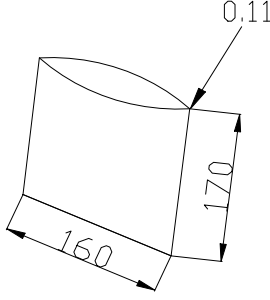
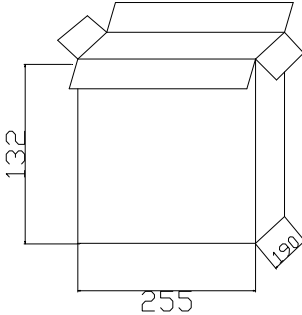
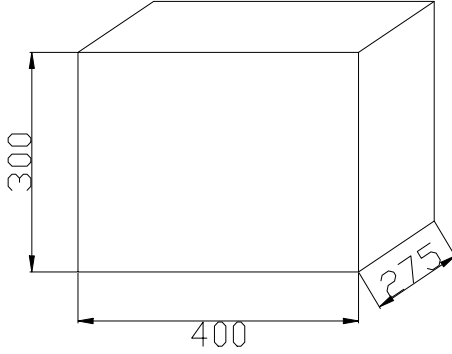
梁贵传

# SPECIFICATION FOR APPROVAL

**RoHS COMPLIANT**

|            |                       |              |                   |             |
|------------|-----------------------|--------------|-------------------|-------------|
| CUSTOMER   | 2440                  | CUSTOMER No. | 122005000133      | PAGE<br>4/4 |
| CENKER P/N | CKPK0810-4.4mH/K-U3.2 | DRAWING No.  | SP-CK112-GXA07126 |             |
| ISSUE DATE | 2020/2/21             | VERSION      | A0                |             |

## 6、PACKING(mm):

|  |  |
|--|--|
| <p>1. PE BAG: 160*170*0.11mm<br/>( 200PCS/BAG );</p>                                     |    |
| <p>2. Inside the box size: 255*190*132mm<br/>( Loading 12PE BAG ,Quantity 2.4K/PCS )</p> |   |
| <p>3. Outer box: 400*275*300mm<br/>( Loading 4 inner box , Quantity 9.6K/PCS )</p>       |  |



深圳市岑科实业有限公司  
SHEN ZHEN CENKER ENTERPRISE LTD.  
TEL:0755-89808755 FAX:0755-27525256

|          |         |          |
|----------|---------|----------|
| PREPARED | CHECKED | APPROVED |
| 覃玉云      | 韦秀华     | 梁贵传      |

## X-ON Electronics

Largest Supplier of Electrical and Electronic Components

*Click to view similar products for [Fixed Inductors](#) category:*

*Click to view products by [CENKER](#) manufacturer:*

Other Similar products are found below :

[CR32NP-100KC](#) [70F224AI](#) [MHQ1005P10NJ](#) [MHQ1005P1N0S](#) [MHQ1005P2N4S](#) [MHQ1005P3N6S](#) [MHQ1005P5N1S](#) [MHQ1005P8N2J](#)  
[PE-53601NL](#) [PE-53602NL](#) [PG0936.113NLT](#) [9220-20](#) [9310-16](#) [PM06-2N7](#) [PM06-39NJ](#) [A01TK](#) [1206CS-471XJ](#) [HC2-R47-R](#) [HC8-1R2-R](#)  
[HCF1305-3R3-R](#) [1206CS-151XG](#) [RCH664NP-4R7M](#) [RCP1317NP-391L](#) [DH2280-4R7M](#) [DS1608C-106](#) [B10TJ](#) [B82498B3101J000](#) [ELJ-](#)  
[RE27NJF2](#) [1812CS-153XJ](#) [1812CS-183XJ](#) [1812CS-223XJ](#) [1812LS-104XJ](#) [1812LS-105XJ](#) [1812LS-124XJ](#) [1812LS-154XJ](#) [1812LS-223XJ](#)  
[1812LS-224XJ](#) [1812LS-563XJ](#) [1812LS-683XJ](#) [1812LS-824XJ](#) [NIN-FB101JTR110F](#) [NIN-FB471JTR62F](#) [NIN-FC1R5JTR220F](#) [NIN-](#)  
[HCR15JTRF](#) [NIN-HCR33JTRF](#) [NIN-HDR22JTRF](#) [NIN-HDR82JTRF](#) [NIN-HK2N7STRF](#) [NIN-PA150KTR370F](#) [NIN-PB100KTR550F](#)