

产品承认书

SPECIFICATION FOR APPROVED

版本: REV.A0

客户 : 1917
 Customer : _____
 客户料号 : _____
 Customer P/N : _____
 品名 : RADIAL TYPE CHOKE INDUCTOR
 Description : _____
 产品型号 : CKPK0810-4.7uH/M-U3.5
 CENKER P/N : _____
 图纸编号 : SP-CK112-GXA04628
 Drawing No. : _____
 产品编号 : _____
 Product code. : _____

出图 DRAWING		
制表 Prepared By	审核 Checked By	批准 Approved By
覃玉云	梁增武	梁贵传
DATE: 2018-12-24		

承认 CUSTOMER APPROVAL
DATE:

深圳市岑科实业有限公司

SHENZHEN CENKER ENTERPRISE LTD.

地址:深圳市龙华区清泉路金博龙工业园C栋

Address: Building No.C Jinbolong Industrial
Estate, Qingquan Road, Longhua District, Shenzhen
P.R.China

TEL:0755-89808755 FAX:0755-27525256

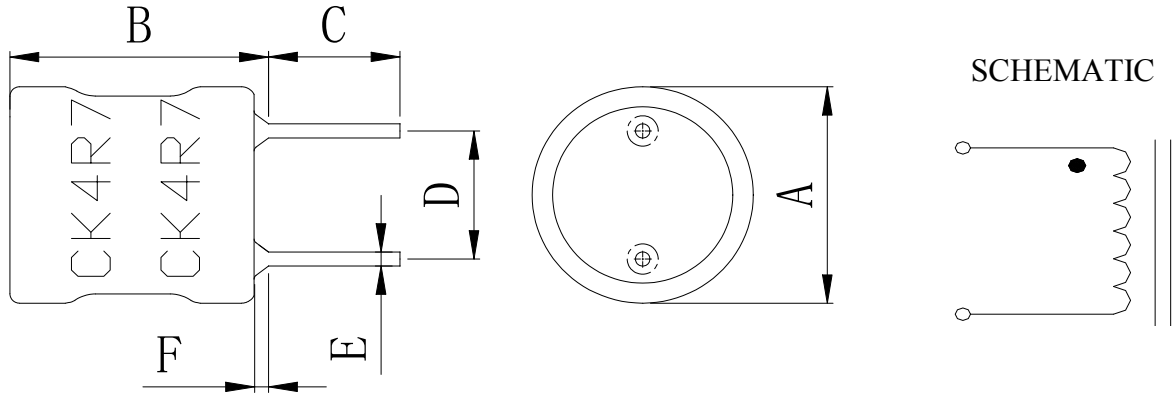


SPECIFICATION FOR APPROVAL

RoHS COMPLIANT

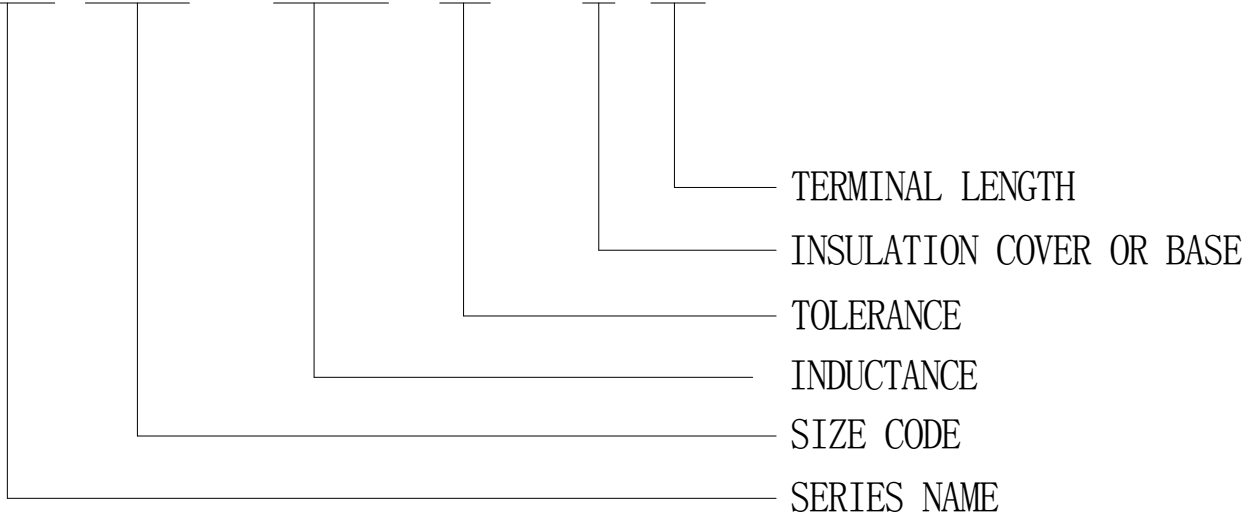
CUSTOMER	1917	CUSTOMER No.		PAGE
CENKER P/N	CKPK0810-4.7uH/M-U3.5	DRAWING No.	SP-CK112-GXA04628	1/4
ISSUE DATE	2018-12-24	VERSION	A0	

1、 DIMENSION (mm):



A	B	C	D	E	F
10.0Max	13.5Max	3.5±0.5	5.0±0.5	0.6±0.05	2.5Max

CKPK 0810 - 4.7uH M - U 3.5



2、 TEMPERATURE RATING:

Operating Temperature : -25°C ~ +85°C ; Storage Temperature : -25°C ~ +85°C

 <p>深圳市岑科实业有限公司 SHEN ZHEN CENKER ENTERPRISE LTD. TEL:0755-89808755 FAX:0755-27525256</p>	PREPARED	CHECKED	APPROVED
	覃玉云	梁增武	梁贵传

SPECIFICATION FOR APPROVAL

RoHS COMPLIANT

CUSTOMER	1917	CUSTOMER No.		PAGE
CENKER P/N	CKPK0810-4.7uH/M-U3.5	DRAWING No.	SP-CK112-GXA04628	2/4
ISSUE DATE	2018-12-24	VERSION	A0	

3、ELECTRICAL REQUIREMENTS:

ITEM	SPEC.	TOLERANCE	TEST FREQUENCY	TEST EQUIPMENT
INDUCTANCE	4.7uH	±20%	100kHz/0.25V	HP-4284A
DCR	30mΩ	Max.	at 20°C	Keysight 34420A
IDC	5A	LOA*80% Ref.	100kHz/0.25V	HP-4284A+HP-42841A

4、MATERIAL LIST:

No.	Material	Specification	Supplier	Remark
1	Core	DR8*10 or equivalent	SUNRISE FERRITE CORES ELECTRONIC CO.,LTD.	
2	Wire	Ø0.65mm×12.5Ts (2UEW) or equivalent	SHANTOU SHENGANG ELECTRICAL INDUSTRIAL CO.,LTD.	
3	Solder	Sn99.3-Cu0.7 or equivalent	HuiZhou Chang Sheng METAL PRODUCTS CO.,LTD	
4	Tube	UL Φ8mm (BLACK) or equivalent	SHENZHEN WOER HEAT-SHRINKABLE MATERIAL CO.,LTD	
		UL Φ8mm (BLACK) or equivalent	SHENZHEN XINGQI PLASTIC PRO DUCTS CO.,LTD.	
5	Epoxy	J-600 or equivalent	SHEN ZHEN CENKER ENTERPRISE LTD.	
6	Pin	CP Φ0.6*17.5mm or equivalent	JIANGXI BAICHUAN ELECTRIC CONDUCTOR CO.,LTD	



深圳市岑科实业有限公司
SHEN ZHEN CENKER ENTERPRISE LTD.
TEL:0755-89808755 FAX:0755-27525256

PREPARED	CHECKED	APPROVED
覃玉云	梁增武	梁贵传

SPECIFICATION FOR APPROVAL

RoHS COMPLIANT

CUSTOMER	1917	LOT No.			
CUSTOMER No.		QUANTITY	10PCS	DATE	2018-12-24
DRAWING No.	SP-CK112-GXA04628	DIMENSION(UNIT: mm) 			
CENKER P/N	CKPK0810-4.7uH/M-U3.5				
DESCRIPTION	RADIAL TYPE CHOKE INDUCTOR				
TEST FREQ	100kHz/0.25V				
TEMPERATURE	25 °C				

5.TESTING DATA:

ELECTRONICAL TEST DATA				OREALL DIMENSTON (UNIT: mm)									
	L	IDC 5A	DCR	A	B	C	D	E	F				
SPEC	4.7uH ±20%	L0A*80 % Ref.	30mΩ Max.	10.0Max	13.5Max	3.5±0.5	5.0±0.5	0.6±0.05	2.5Max				
1	5.10	4.67	13.30	8.72	12.90	3.49	5.08	0.59	1.84				
2	5.06	4.62	12.95	8.69	12.90	3.50	5.10	0.58	1.82				
3	5.02	4.60	13.30	8.66	12.88	3.48	5.05	0.58	1.88				
4	5.10	4.67	13.35	8.68	12.88	3.52	5.09	0.58	1.82				
5	5.07	4.63	13.25	8.69	12.92	3.48	5.12	0.58	1.83				
6	5.08	4.64	13.16	8.68	12.89	3.49	5.11	0.57	1.83				
7	5.10	4.66	13.28	8.69	12.87	3.50	5.11	0.58	1.81				
8	5.05	4.62	13.17	8.72	12.94	3.46	5.10	0.57	1.88				
9	5.09	4.65	13.05	8.68	12.93	3.53	5.10	0.58	1.83				
10	5.07	4.63	13.12	8.67	12.92	3.53	5.05	0.59	1.84				
\bar{X}	5.07	4.64	13.19	8.69	12.90	3.50	5.09	0.58	1.84				
R	0.08	0.07	0.40	0.06	0.07	0.07	0.07	0.02	0.07				

TEST EQUIPMENT: ALL JUDGE OK NG

- L CH-1062A HP-4284A
- Q HM2801A HM9481 CJ2851
- DCR Keysight 34420A
- SRF HM9460
- IDC HP-4284A+HP-42841A HM-2713-1+HM-2791 LCR

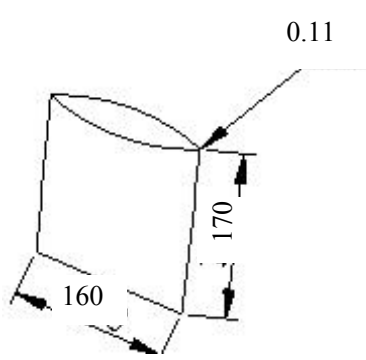
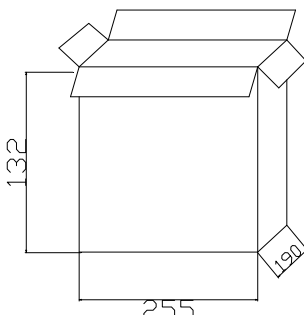
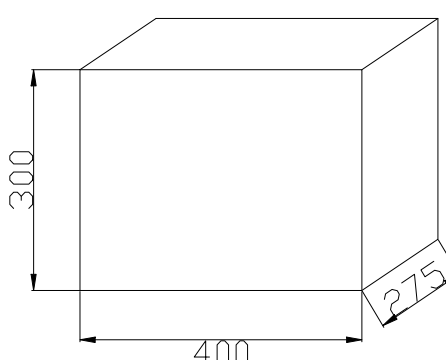
	深圳市岑科实业有限公司 SHEN ZHEN CENKER ENTERPRISE LTD. TEL:0755-89808755 FAX:0755-27525256	PREPARED 覃玉云	CHECKED 梁增武	APPROVED 梁贵传

SPECIFICATION FOR APPROVAL

RoHS COMPLIANT

CUSTOMER	1917	CUSTOMER No.		PAGE
CENKER P/N	CKPK0810-4.7uH/M-U3.5	DRAWING No.	SP-CK112-GXA04628	4/4
ISSUE DATE	2018-12-24	VERSION	A0	

6、PACKING(mm):

<p>1. PE BAG: 160*170*0.11mm (200PCS/BAG);</p>	
<p>2. Inside the box size: 255*190*132mm (Loading 12PE BAG ,Quantity 2.4K/PCS)</p>	
<p>3. Outer box: 400*275*300mm (Loading 4 Inside the box ,Quantity 9.6K/PCS)</p>	



深圳市岑科实业有限公司
SHEN ZHEN CENKER ENTERPRISE LTD.
TEL:0755-89808755 FAX:0755-27525256

PREPARED	CHECKED	APPROVED
覃玉云	梁增武	梁贵传

X-ON Electronics

Largest Supplier of Electrical and Electronic Components

Click to view similar products for [Fixed Inductors](#) category:

Click to view products by [CENKER](#) manufacturer:

Other Similar products are found below :

[CR32NP-100KC](#) [70F224AI](#) [MHQ1005P10NJ](#) [MHQ1005P1N0S](#) [MHQ1005P2N4S](#) [MHQ1005P3N6S](#) [MHQ1005P5N1S](#) [MHQ1005P8N2J](#)
[PE-53601NL](#) [PE-53602NL](#) [PG0936.113NLT](#) [9220-20](#) [9310-16](#) [PM06-2N7](#) [PM06-39NJ](#) [A01TK](#) [1206CS-471XJ](#) [HC2-R47-R](#) [HC8-1R2-R](#)
[HCF1305-3R3-R](#) [1206CS-151XG](#) [RCH664NP-4R7M](#) [RCP1317NP-391L](#) [DH2280-4R7M](#) [DS1608C-106](#) [B10TJ](#) [B82498B3101J000](#) [ELJ-](#)
[RE27NJF2](#) [1812CS-153XJ](#) [1812CS-183XJ](#) [1812CS-223XJ](#) [1812LS-104XJ](#) [1812LS-105XJ](#) [1812LS-124XJ](#) [1812LS-154XJ](#) [1812LS-223XJ](#)
[1812LS-224XJ](#) [1812LS-563XJ](#) [1812LS-683XJ](#) [1812LS-824XJ](#) [NIN-FB101JTR110F](#) [NIN-FB471JTR62F](#) [NIN-FC1R5JTR220F](#) [NIN-](#)
[HCR15JTRF](#) [NIN-HCR33JTRF](#) [NIN-HDR22JTRF](#) [NIN-HDR82JTRF](#) [NIN-HK2N7STRF](#) [NIN-PA150KTR370F](#) [NIN-PB100KTR550F](#)