

# 产品承认书

## SPECIFICATION FOR APPROVED

版本: REV.A2

客户	:	1917
Customer	:	_____
客户料号	:	11.06.001.0003/EK250
Customer P/N	:	_____
品名	:	RADIAL TYPE CHOKE INDUCTOR
Description	:	_____
产品型号	:	CKPK0810-5uH/L-U3.5
CENKER P/N	:	_____
图纸编号	:	SP-CK112-00023193
Drawing No.	:	_____
产品编号	:	_____
Product code.	:	_____

出图 DRAWING		
制表 Prepared By	审核 Checked By	批准 Approved By
蒋燕萍	蒋燕萍	梁贵传
DATE: 2017-7-4		

承认 CUSTOMER APPROVAL
DATE:

### 深圳市岑科实业有限公司

SHENZHEN CENKER ENTERPRISE LTD.

地址:深圳市龙华区清泉路金博龙工业园C栋

Address:Building No.C Jinbolong Industrial Estate,Qingquan Road,Longhua District, Shenzhen P.R.China

TEL:0755-89808755 FAX:0755-27525256



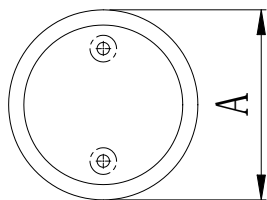
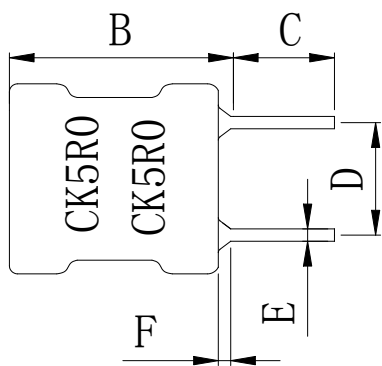


# SPECIFICATION FOR APPROVAL

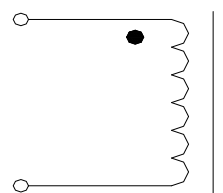
**RoHS COMPLIANT**

CUSTOMER	1917	CUSTOMER No.	11.06.001.0003/EK250	PAGE
CENKER P/N	CKPK0810-5uH/L-U3.5	DRAWING No.	SP-CK112-00023193	1/4
ISSUE DATE	2017-7-4	VERSION	A2	

## 1、 DIMENSION (mm):

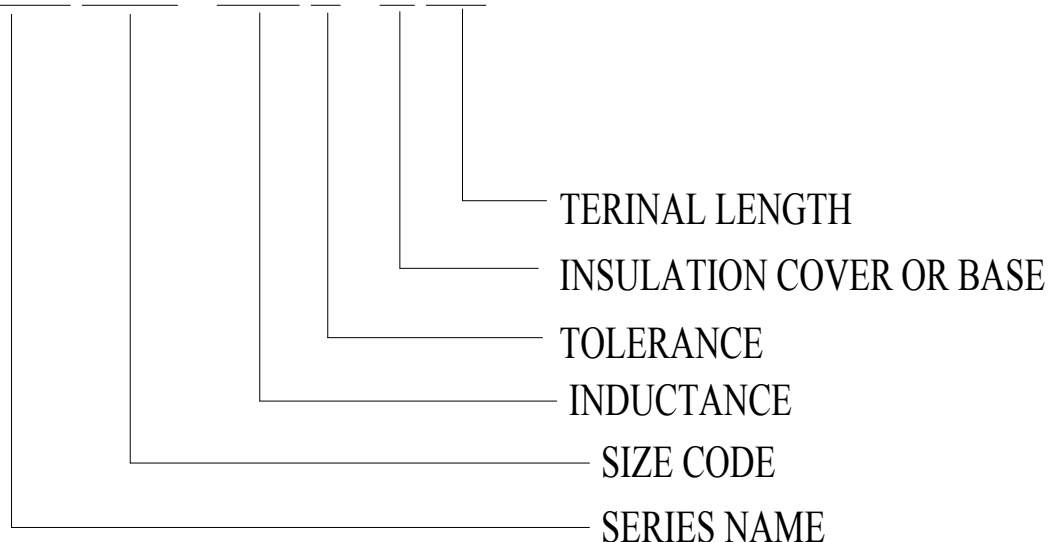


SCHEMATIC



A	B	C	D	E	F
Φ10.0 Max	14.0Max	3.5±0.5	5.0±0.5	Φ0.6±0.05	2.0 Max

### CKPK 0810 - 5uH L - U 3.5



## 2、 TEMPERATURE RATING:

**Operating Temperature : -25°C ~ +85°C ; Storage Temperature : -25°C ~ +85°C**



深圳市岑科实业有限公司  
 SHEN ZHEN CENKER ENTERPRISE LTD.  
 TEL:0755-89808755 FAX:0755-27525256

PREPARED	CHECKED	APPROVED
蒋燕萍	蒋燕萍	梁贵传

# SPECIFICATION FOR APPROVAL

**RoHS COMPLIANT**

CUSTOMER	1917	CUSTOMER No.	11.06.001.0003/EK250	PAGE
CENKER P/N	CKPK0810-5uH/L-U3.5	DRAWING No.	SP-CK112-00023193	2/4
ISSUE DATE	2017-7-4	VERSION	A2	

### 3、 ELECTRICAL REQUIREMENTS:

ITEM	SPEC.	TOLERANCE	TEST FREQUENCY	TEST EQUIPMENT
INDUCTANCE	5uH	±15%	1kHz/0.25V	HP-4284A
DCR	30mΩ	Max.	at 25℃	Keysight 34420A
IDC	4.0A	L0A*80% Ref	1kHz /0.25V	HP-4284A+HP-42841A

### 4、 MATERIAL LIST:

No.	Material	Specification	Supplier	Remark
1	Core	DR8×10 or equivalent	6006	
2	Wire	Φ0.5 mm*12.5Ts Ref (2UEW) or equivalent	6177	
3	Solder	Sn99.3-Cu0.7 or equivalent	6050	
4	Tube	UL Φ8×13mm(BLACK) or equivalent	6206	
5	Epoxy	J-600 or equivalent	5163	
6	Pin	CP Φ0.6×17.5mm or equivalent	6565	



深圳市岑科实业有限公司  
SHEN ZHEN CENKER ENTERPRISE LTD.  
TEL:0755-89808755 FAX:0755-27525256

PREPARED	CHECKED	APPROVED
蒋燕萍	蒋燕萍	梁贵传

# SPECIFICATION FOR APPROVAL

**RoHS COMPLIANT**

CUSTOMER	1917	LOT No.			
CUSTOMER No.	11.06.001.0003/EK250	QUANTITY	10PCS	DATE	2017-7-4
DRAWING No.	SP-CK112-00023193	DIMENSION(UNIT: mm)			
CENKER P/N	CKPK0810-5uH/L-U3.5				
DESCRIPTION	RADIAL TYPE CHOKE INDUCTOR				
TEST FREQ	1kHz/0.25V				
TEMPERATURE	25 °C				

## 5. TESTING DATA:

ELECTRONICAL TEST DATA				OREALL DIMENSTON (UNIT: mm)									
	L	DCR	IDC 4.0A	A	B	C	D	E	F				
SPEC	5uH ±15%	30mΩ Max.	L0A*80 % Ref	Φ10.0 Max	14.0Max	3.5±0.5	5.0±0.5	Φ0.6±0.05	2.0 Max				
1	5.44	21.60	4.62	8.73	12.02	3.51	5.03	0.60	1.34				
2	5.62	21.52	4.79	8.62	12.05	3.49	4.95	0.58	1.35				
3	5.58	21.62	4.76	8.65	12.12	3.51	5.05	0.56	1.36				
4	5.56	21.41	4.73	8.69	12.14	3.50	4.96	0.58	1.39				
5	5.47	21.38	4.76	8.70	12.03	3.44	4.92	0.60	1.31				
6	5.52	21.64	4.72	8.73	12.04	3.51	5.05	0.58	1.21				
7	5.57	21.71	4.77	8.74	11.98	3.47	5.10	0.59	1.21				
8	5.53	21.85	4.71	8.69	11.89	3.49	5.05	0.58	1.19				
9	5.54	21.61	4.73	8.67	11.92	3.51	4.94	0.58	1.31				
10	5.48	21.56	4.67	8.68	12.03	3.48	4.92	0.57	1.28				
$\bar{X}$	5.531	21.590	4.73	8.69	12.02	3.49	5.00	0.58	1.30				
R	0.18	0.470	0.16	0.12	0.25	0.07	0.18	0.04	0.20				

## TEST EQUIPMENT:

ALL JUDGE

OK  NG

L CH-1062A HP-4284A

Q HM2801A HM9481 CJ2851

DCR Keysight 34420A

SRF HM9460

IDC HP-4284A +HP-42841A HM-2713-1+HM-2791 LCR



深圳市岑科实业有限公司  
SHEN ZHEN CENKER ENTERPRISE LTD.  
TEL:0755-89808755 FAX:0755-27525256

PREPARED

CHECKED

APPROVED

蒋燕萍

蒋燕萍

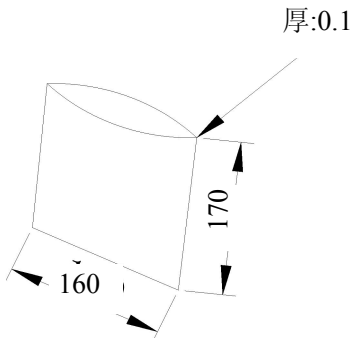
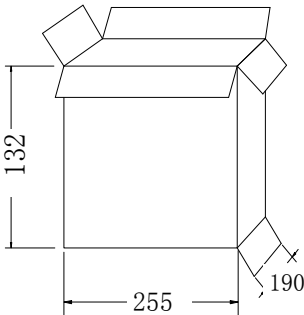
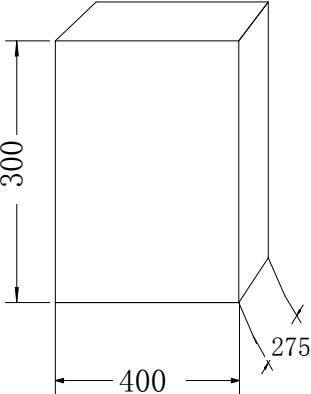
梁贵传

# SPECIFICATION FOR APPROVAL

**RoHS COMPLIANT**

CUSTOMER	1917	CUSTOMER No.	11.06.001.0003/EK250	PAGE
CENKER P/N	CKPK0810-5uH/L-U3.5	DRAWING No.	SP-CK112-00023193	4/4
ISSUE DATE	2017-7-4	VERSION	A2	

## 6、PACKING(mm):

<p>1. PE BAG: 160*170*0.11mm ( 200PCS/BAG );</p>	 <p>厚:0.1</p>
<p>2. Inside the box size: 255*190*132mm ( Loading 12PE BAG ,Quantity 2.4K/PCS )</p>	
<p>3. Outer box: 400*275*300mm ( Loading 4 Inside the box ,Quantity 9.6K/PCS )</p>	



深圳市岑科实业有限公司  
SHEN ZHEN CENKER ENTERPRISE LTD.  
TEL:0755-89808755 FAX:0755-27525256

PREPARED	CHECKED	APPROVED
蒋燕萍	蒋燕萍	梁贵传

## X-ON Electronics

Largest Supplier of Electrical and Electronic Components

*Click to view similar products for [Fixed Inductors](#) category:*

*Click to view products by [CENKER](#) manufacturer:*

Other Similar products are found below :

[CR32NP-100KC](#) [70F224AI](#) [MHQ1005P10NJ](#) [MHQ1005P1N0S](#) [MHQ1005P2N4S](#) [MHQ1005P3N6S](#) [MHQ1005P5N1S](#) [MHQ1005P8N2J](#)  
[PE-53601NL](#) [PE-53602NL](#) [PG0936.113NLT](#) [9220-20](#) [9310-16](#) [PM06-2N7](#) [PM06-39NJ](#) [A01TK](#) [1206CS-471XJ](#) [HC2-R47-R](#) [HC8-1R2-R](#)  
[HCF1305-3R3-R](#) [1206CS-151XG](#) [RCH664NP-4R7M](#) [RCP1317NP-391L](#) [DH2280-4R7M](#) [DS1608C-106](#) [B10TJ](#) [B82498B3101J000](#) [ELJ-](#)  
[RE27NJF2](#) [1812CS-153XJ](#) [1812CS-183XJ](#) [1812CS-223XJ](#) [1812LS-104XJ](#) [1812LS-105XJ](#) [1812LS-124XJ](#) [1812LS-154XJ](#) [1812LS-223XJ](#)  
[1812LS-224XJ](#) [1812LS-563XJ](#) [1812LS-683XJ](#) [1812LS-824XJ](#) [NIN-FB101JTR110F](#) [NIN-FB471JTR62F](#) [NIN-FC1R5JTR220F](#) [NIN-](#)  
[HCR15JTRF](#) [NIN-HCR33JTRF](#) [NIN-HDR22JTRF](#) [NIN-HDR82JTRF](#) [NIN-HK2N7STRF](#) [NIN-PA150KTR370F](#) [NIN-PB100KTR550F](#)