

产品承认书

SPECIFICATION FOR APPROVED

版本: REV.A0

客户 : 1176
 Customer : _____
 客户料号 : 1.04.30.10371
 Customer P/N : _____
 品名 : RADIAL TYPE CHOKE INDUCTOR
 Description : _____
 产品型号 : CKPK0912-22uH/K-U15
 CENKER P/N : _____
 图纸编号 : SP-CK112-00034229
 Drawing No. : _____
 产品编号 : _____
 Product code. : _____

出图 DRAWING		
制表 Prepared By	审核 Checked By	批准 Approved By
刘晓煌	梁贵传	万芳中
DATE: 2016-1-6		

承认 CUSTOMER APPROVAL
DATE:



深圳市岑科实业有限公司
 SHENZHEN CENKER ENTERPRISE LTD.

地址:深圳市宝安区龙华镇清泉路金博龙工业园C栋

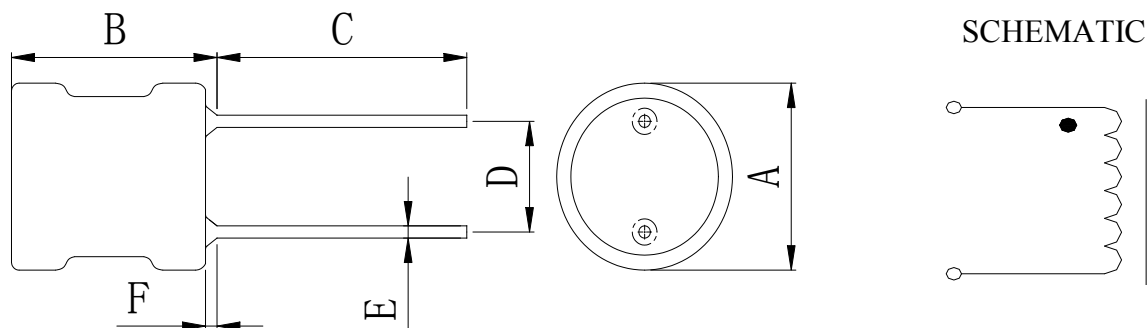
Address: Building No.C Jinbolong Industrial
 Estate, Qingquan Road, Longhua Town Shenzhen
 P.R.China

TEL:0755-89808755 FAX:0755-27525256



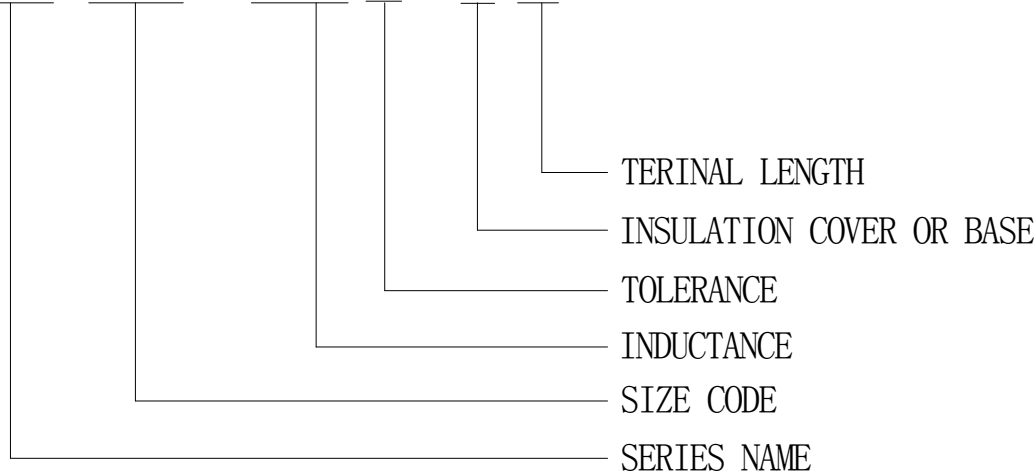
CUSTOMER	1176	CUSTOMER No.	1.04.30.10371	PAGE
CENKER P/N	CKPK0912-22uH/K-U15	DRAWING No.	SP-CK112-00034229	1/4
ISSUE DATE	2016-1-6	VERSION	A0	

1、 DIMENSION (mm):



A	B	C	D	E	F
Φ12.0 Max	15.0 Max	15.0±2.0	5.0±0.5	Φ0.80±0.1	2.5 Max

CKPK 0912 - 22uH K - U 15



2、 TEMPERATURE RATING:

Operating Temperature : -25°C ~ +85°C ; Storage Temperature : -25°C ~ +85°C

 <p>深圳市岑科实业有限公司 SHEN ZHEN CENKER ENTERPRISE LTD. TEL:0755-89808755 FAX:0755-27525256</p>	PREPARED	CHECKED	APPROVED
	刘晓煌	梁贵传	万芳中

SPECIFICATION FOR APPROVAL

RoHS COMPLIANT

CUSTOMER	1176	CUSTOMER No.	1.04.30.10371	PAGE
CENKER P/N	CKPK0912-22uH/K-U15	DRAWING No.	SP-CK112-00034229	2/4
ISSUE DATE	2016-1-6	VERSION	A0	

3、 ELECTRICAL REQUIREMENTS:

ITEM	SPEC.	TOLERANCE	TEST FREQUENCY	TEST EQUIPMENT
INDUCTANCE	22uH	±10%	1kHz/0.25V	HP-4284A
DCR	100mΩ	Max.	at 25°C	CH-502A
IDC	4A	L0A×90% Ref.	10kHz/0.25V	CD1068+CD1320

4、 MATERIAL LIST:

No.	Material	Specification	Supplier	Remark
1	Core	DR9×12 or equivalent	6006	
2	Wire	Ø0.5mm×23.5Ts. Ref. (2UEW) or equivalent	6177	
3	Solder	Sn99.3-Cu0.7 or equivalent	6050	
4	Tube	UL Φ9×15mm(BLACK) or equivalent	6206	
5	Epoxy	J-600 or equivalent	5163	
6	Pin	CP Φ0.8×17.5mm or equivalent	6565	



深圳市岑科实业有限公司
SHEN ZHEN CENKER ENTERPRISE LTD.
TEL:0755-89808755 FAX:0755-27525256

PREPARED	CHECKED	APPROVED
刘晓煌	梁贵传	万芳中

SPECIFICATION FOR APPROVAL

RoHS COMPLIANT

PAGE:3/4

CUSTOMER	1176	LOT No.			
CUSTOMER No.	1.04.30.10371	QUANTITY	10PCS	DATE	2016-1-6
DRAWING No.	SP-CK112-00034229	DIMENSION(UNIT: mm)			
CENKER P/N	CKPK0912-22uH/K-U15				
DESCRIPTION	RADIAL TYPE CHOKE INDUCTOR				
TEST FREQ	1kHz/0.25V, 10kHz/0.25V				
TEMPERATURE	25 °C				

5. TESTING DATA:

ELECTRONICAL TEST DATA				OREALL DIMENSTON (UNIT: mm)									
	L	DCR	IDC 4A	A	B	C	D	E	F				
SPEC	22uH ±10%	100mΩ Max.	L0A×90 % Ref.	Φ12.0 Max	15.0 Max	15.0±2.0	5.0±0.5	Φ0.80±0.1	2.5 Max				
1	21.80	52.62	20.75	9.61	13.73	14.57	4.92	0.79	1.44				
2	21.56	53.37	20.33	9.58	13.69	15.25	4.89	0.78	1.51				
3	21.56	54.04	20.29	9.53	13.72	14.69	4.96	0.80	1.46				
4	21.59	53.55	20.42	9.60	13.62	14.86	4.99	0.79	1.43				
5	21.60	53.78	20.56	9.52	13.58	14.77	4.93	0.78	1.55				
6	21.57	53.88	20.49	9.57	13.66	14.72	4.95	0.79	1.46				
7	21.65	53.72	20.65	9.61	13.60	14.81	4.98	0.78	1.40				
8	21.89	52.87	20.84	9.55	13.75	14.79	4.90	0.78	1.42				
9	21.55	53.82	20.39	9.58	13.70	14.83	4.97	0.79	1.48				
10	21.60	53.67	20.46	9.63	13.62	14.88	4.94	0.80	1.53				
\bar{X}	21.64	53.53	20.52	9.58	13.67	14.82	4.94	0.79	1.47				
R	0.34	1.42	0.55	0.11	0.17	0.68	0.10	0.02	0.15				

TEST EQUIPMENT:

ALL JUDGE

OK NG

L CH-1062A HP-4284A

Q HM2801A HM9481 CJ2851

DCR CH-502A

SRF HM9460

IDC CD1068+CD1320 HM-2713-1+HM-2791 LCR



深圳市岑科实业有限公司
SHEN ZHEN CENKER ENTERPRISE LTD.
TEL:0755-89808755 FAX:0755-27525256

PREPARED

CHECKED

APPROVED

刘晓煌

梁贵传

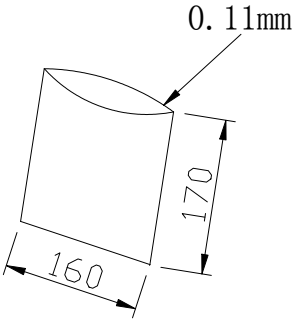
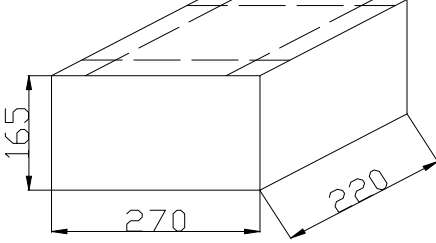
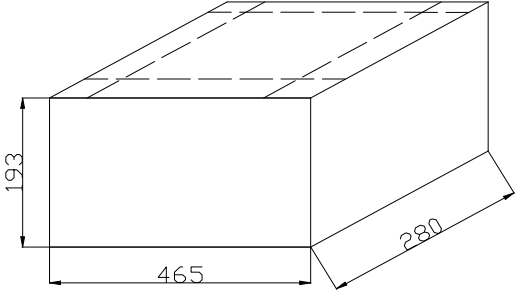
万芳中

SPECIFICATION FOR APPROVAL

RoHS COMPLIANT

CUSTOMER	1176	CUSTOMER No.	1.04.30.10371	PAGE 4/4
CENKER P/N	CKPK0912-22uH/K-U15	DRAWING No.	SP-CK112-00034229	
ISSUE DATE	2016-1-6	VERSION	A0	

6、PACKING(mm):

<p>1. E BAG: 160*170*0.11mm (200PCS/BAG);</p>	
<p>2. Inside the box size:: 270*220*165mm (Loading 10PE BAG ,Quantity 2KPCS)</p>	
<p>3. Outer box: 465*280*193mm (Loading 4 Inside the box ,Quantity 4K/PCS)</p>	



深圳市岑科实业有限公司
SHEN ZHEN CENKER ENTERPRISE LTD.
TEL:0755-89808755 FAX:0755-27525256

PREPARED	CHECKED	APPROVED
刘晓煌	梁贵传	万芳中

X-ON Electronics

Largest Supplier of Electrical and Electronic Components

Click to view similar products for [Fixed Inductors](#) category:

Click to view products by [CENKER](#) manufacturer:

Other Similar products are found below :

[CR32NP-100KC](#) [70F224AI](#) [MHQ1005P10NJ](#) [MHQ1005P1N0S](#) [MHQ1005P2N4S](#) [MHQ1005P3N6S](#) [MHQ1005P5N1S](#) [MHQ1005P8N2J](#)
[PE-53601NL](#) [PE-53602NL](#) [PG0936.113NLT](#) [9220-20](#) [9310-16](#) [PM06-2N7](#) [PM06-39NJ](#) [A01TK](#) [1206CS-471XJ](#) [HC2-R47-R](#) [HC8-1R2-R](#)
[HCF1305-3R3-R](#) [1206CS-151XG](#) [RCH664NP-4R7M](#) [RCP1317NP-391L](#) [DH2280-4R7M](#) [DS1608C-106](#) [B10TJ](#) [B82498B3101J000](#) [ELJ-](#)
[RE27NJF2](#) [1812CS-153XJ](#) [1812CS-183XJ](#) [1812CS-223XJ](#) [1812LS-104XJ](#) [1812LS-105XJ](#) [1812LS-124XJ](#) [1812LS-154XJ](#) [1812LS-223XJ](#)
[1812LS-224XJ](#) [1812LS-563XJ](#) [1812LS-683XJ](#) [1812LS-824XJ](#) [NIN-FB101JTR110F](#) [NIN-FB471JTR62F](#) [NIN-FC1R5JTR220F](#) [NIN-](#)
[HCR15JTRF](#) [NIN-HCR33JTRF](#) [NIN-HDR22JTRF](#) [NIN-HDR82JTRF](#) [NIN-HK2N7STRF](#) [NIN-PA150KTR370F](#) [NIN-PB100KTR550F](#)