

产品承认书

SPECIFICATION FOR APPROVED

版本: REV.A1

客户	:	1993
Customer	:	
客户料号	:	2.026.0168-01
Customer P/N	:	
品名	:	RADIAL TYPE CHOKE INDUCTOR
Description	:	
产品型号	:	CKPK0912-33uH/K-U3
CENKER P/N	:	
图纸编号	:	SP-CK112-GXA00628
Drawing No.	:	
产品编号	:	
Product code.	:	

出图 DRAWING		
制表	审核	批准
Prepared By	Checked By	Approved By
覃玉云	张华萍	梁贵传
DATE: 2017-6-14		

承认 CUSTOMER APPROVAL
DATE:

深圳市岑科实业有限公司

SHENZHEN CENKER ENTERPRISE LTD.

地址:深圳市龙华区清泉路金博龙工业园C栋

Address: Building No.C Jinbolong Industrial
Estate, Qingquan Road, Longhua District, Shenzhen
P.R.China

TEL:0755-89808755 FAX:0755-27525256

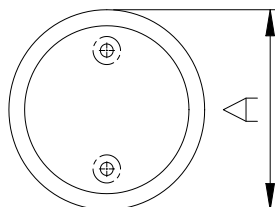
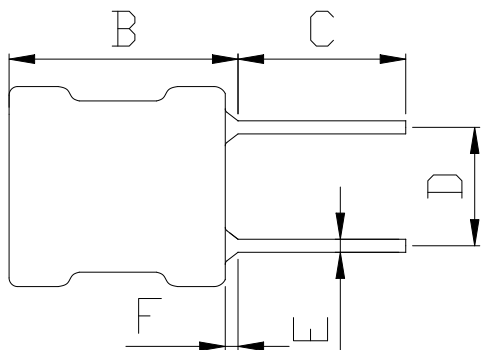


SPECIFICATION FOR APPROVAL

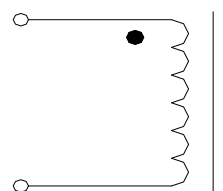
RoHS COMPLIANT

CUSTOMER	1993	CUSTOMER No.	2.026.0168-01	PAGE
CENKER P/N	CKPK0912-33uH/K-U3	DRAWING No.	SP-CK112-GXA00628	1/4
ISSUE DATE	2017-6-14	VERSION	A1	

1、 DIMENSION (mm):



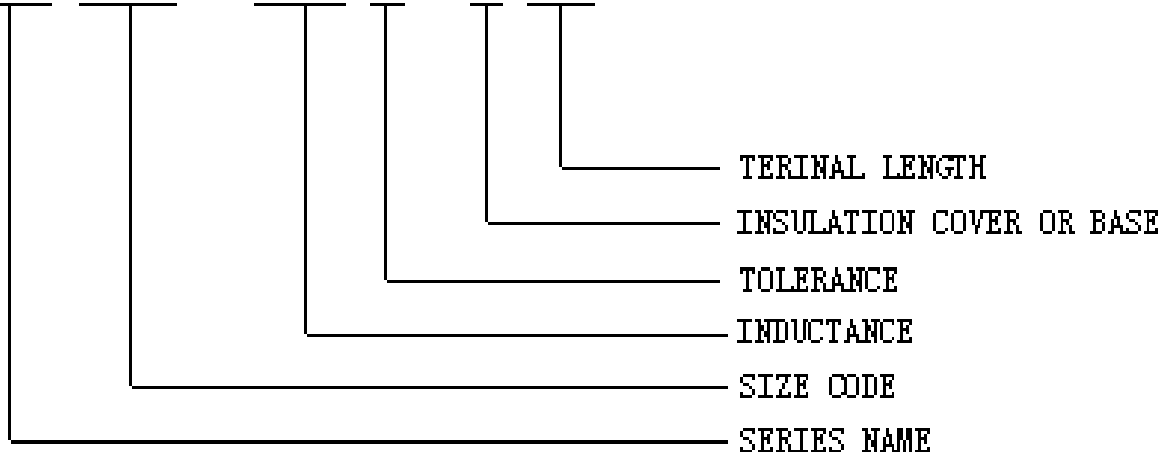
SCHEMATIC



NOTE: "D" Measured at the position closed to the body

A	B	C	D	E	F
12.0 Max	15.5Max	3.0±0.5	5.0±0.5	0.8±0.1	2.5 Max

CKPK 0912 - 33uH K - U 3



2、 TEMPERATURE RATING:

Operating Temperature : -25°C ~ +85°C ; Storage Temperature : -25°C ~ +85°C



深圳市岑科实业有限公司
SHEN ZHEN CENKER ENTERPRISE LTD.
TEL:0755-89808755 FAX:0755-27525256

PREPARED	CHECKED	APPROVED
覃玉云	张华萍	梁贵传

SPECIFICATION FOR APPROVAL

RoHS COMPLIANT

CUSTOMER	1993	CUSTOMER No.	2.026.0168-01	PAGE
CENKER P/N	CKPK0912-33uH/K-U3	DRAWING No.	SP-CK112-GXA00628	2/4
ISSUE DATE	2017-6-14	VERSION	A1	

3、ELECTRICAL REQUIREMENTS:

ITEM	SPEC.	TOLERANCE	TEST FREQUENCY	TEST EQUIPMENT
INDUCTANCE	33uH	±10%	1KHz/0.25V	HP-4284A
DCR	100mΩ	Max.	at 25°C	Keysight34420A
IDC	3A	L0A×90% Ref.	1KHz/0.25V	HP-4284A+HP-42841A

4、MATERIAL LIST:

No.	Material	Specification	Supplier	Remark
1	Core	DR9×12 or equivalent	6006	
2	Wire	Ø0.5mm×29.5Ts. Ref. (2UEW) or equivalent	6177	
3	Solder	Sn99.3-Cu0.7 or equivalent	6050	
4	Tube	UL Φ9×15mm(BLACK) or equivalent	6206	
5	Epoxy	J-600 or equivalent	5163	
6	Pin	CP Φ0.8×17.5mm or equivalent	6565	



深圳市岑科实业有限公司
SHEN ZHEN CENKER ENTERPRISE LTD.
TEL:0755-89808755 FAX:0755-27525256

PREPARED	CHECKED	APPROVED
覃玉云	张华萍	梁贵传

SPECIFICATION FOR APPROVAL

RoHS COMPLIANT

PAGE:3/4

CUSTOMER	1993	LOT No.			
CUSTOMER No.	2.026.0168-01	QUANTITY	10PCS	DATE	2017-6-14
DRAWING No.	SP-CK112-GXA00628	DIMENSION(UNIT: mm)			
CENKER P/N	CKPK0912-33uH/K-U3				
DESCRIPTION	RADIAL TYPE CHOKE INDUCTOR				
TEST FREQ	1KHz/0.25V				
TEMPERATURE	25 °C				

5. TESTING DATA:

ELECTRONICAL TEST DATA				OREALL DIMENSTON (UNIT: mm)									
	L	IDC 3A	DCR	A	B	C	D	E	F				
SPEC	33uH ±10%	L0A×90 % Ref.	100mΩ Max.	12.0 Max	15.5Max	3.0±0.5	5.0±0.5	0.8±0.1	2.5 Max				
1	33.2	32.30	63.21	9.67	13.85	3.12	4.98	0.78	1.74				
2	33.6	32.66	63.67	9.65	13.79	3.05	4.95	0.79	1.78				
3	33.8	32.82	62.56	9.68	13.86	3.06	4.97	0.77	1.76				
4	33.5	32.50	63.20	9.64	13.85	3.00	4.96	0.79	1.75				
5	33.7	32.79	62.11	9.66	13.84	3.15	4.97	0.78	1.74				
6	33.5	32.53	63.43	9.68	13.83	3.21	4.98	0.79	1.77				
7	33.4	32.50	62.87	9.67	13.79	3.15	4.97	0.77	1.75				
8	33.8	32.79	63.17	9.63	13.81	3.10	4.99	0.78	1.78				
9	33.3	32.37	62.94	9.68	13.82	3.06	5.00	0.79	1.76				
10	33.6	32.69	63.42	9.69	13.83	3.08	4.96	0.78	1.74				
\bar{X}	33.5	32.59	63.06	9.67	13.83	3.10	4.97	0.78	1.76				
R	0.6	0.52	1.56	0.06	0.07	0.21	0.05	0.02	0.04				

TEST EQUIPMENT:

ALL JUDGE

OK NG

L CH-1062A HP-4284A

Q HM2801A HM9481 CJ2851

DCR Keysight34420A

SRF HM9460

IDC HP-4284A+HP-42841A HM-2713-1+HM-2791 LCR



深圳市岑科实业有限公司
SHEN ZHEN CENKER ENTERPRISE LTD.
TEL:0755-89808755 FAX:0755-27525256

PREPARED

CHECKED

APPROVED

覃玉云

张华萍

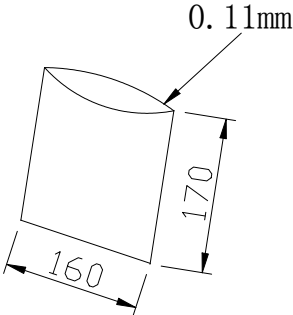
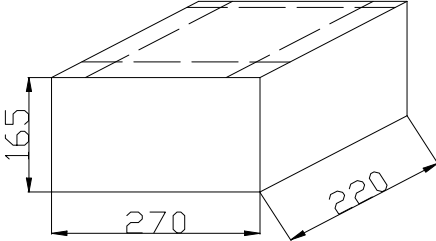
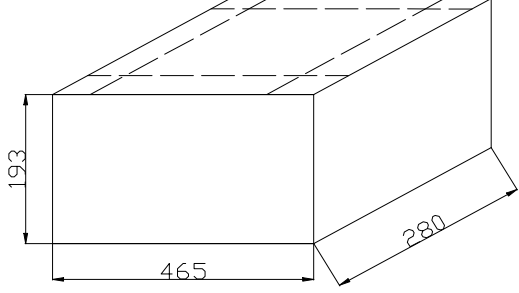
梁贵传

SPECIFICATION FOR APPROVAL

RoHS COMPLIANT

CUSTOMER	1993	CUSTOMER No.	2.026.0168-01	PAGE 4/4
CENKER P/N	CKPK0912-33uH/K-U3	DRAWING No.	SP-CK112-GXA00628	
ISSUE DATE	2017-6-14	VERSION	A1	

6、PACKING(mm):

<p>1. PE BAG: 160*170*0.11mm (200PCS/BAG);</p>	
<p>2. Inside the box size:: 270*220*165mm (Loading 10PE BAG ,Quantity 2KPCS)</p>	
<p>3. Outer box: 465*280*193mm (Loading 2 inner box , Quantity 4K/PCS)</p>	



深圳市岑科实业有限公司
SHEN ZHEN CENKER ENTERPRISE LTD.
TEL:0755-89808755 FAX:0755-27525256

PREPARED	CHECKED	APPROVED
覃玉云	张华萍	梁贵传

X-ON Electronics

Largest Supplier of Electrical and Electronic Components

Click to view similar products for [Fixed Inductors](#) category:

Click to view products by [CENKER](#) manufacturer:

Other Similar products are found below :

[CR32NP-100KC](#) [70F224AI](#) [MHQ1005P10NJ](#) [MHQ1005P1N0S](#) [MHQ1005P2N4S](#) [MHQ1005P3N6S](#) [MHQ1005P5N1S](#) [MHQ1005P8N2J](#)
[PE-53601NL](#) [PE-53602NL](#) [PG0936.113NLT](#) [9220-20](#) [9310-16](#) [PM06-2N7](#) [PM06-39NJ](#) [A01TK](#) [1206CS-471XJ](#) [HC2-R47-R](#) [HC8-1R2-R](#)
[HCF1305-3R3-R](#) [1206CS-151XG](#) [RCH664NP-4R7M](#) [RCP1317NP-391L](#) [DH2280-4R7M](#) [DS1608C-106](#) [B10TJ](#) [B82498B3101J000](#) [ELJ-](#)
[RE27NJF2](#) [1812CS-153XJ](#) [1812CS-183XJ](#) [1812CS-223XJ](#) [1812LS-104XJ](#) [1812LS-105XJ](#) [1812LS-124XJ](#) [1812LS-154XJ](#) [1812LS-223XJ](#)
[1812LS-224XJ](#) [1812LS-563XJ](#) [1812LS-683XJ](#) [1812LS-824XJ](#) [NIN-FB101JTR110F](#) [NIN-FB471JTR62F](#) [NIN-FC1R5JTR220F](#) [NIN-](#)
[HCR15JTRF](#) [NIN-HCR33JTRF](#) [NIN-HDR22JTRF](#) [NIN-HDR82JTRF](#) [NIN-HK2N7STRF](#) [NIN-PA150KTR370F](#) [NIN-PB100KTR550F](#)