

产品承认书

SPECIFICATION FOR APPROVED

版本: REV.A0

客户

8826

Customer

客户料号

744 748 747 1E

Customer P/N

品名

RADIAL TYPE CHOKE INDUCTOR

Description

产品型号

CKPP1014-470uH/K-UT

CENKER P/N

图纸编号

SP-CK112-GXA12604

Drawing No.

产品编号

Product code.

出图

DRAWING

制表

审核

批准

Prepared By

Checked By

Approved By

覃玉云

韦秀华

钟远明

DATE:

2021/3/26

承认

CUSTOMER APPROVAL

DATE:

深圳市岑科实业有限公司

SHENZHEN CENKER ENTERPRISE LTD.

地址:深圳市龙华区清泉路金博龙工业园C栋

Address:Building No.C Jinbolong Industrial
Estate,Qingquan Road,Longhua District, Shenzhen
P.R.China

TEL:0755-89808755 FAX:0755-27525256

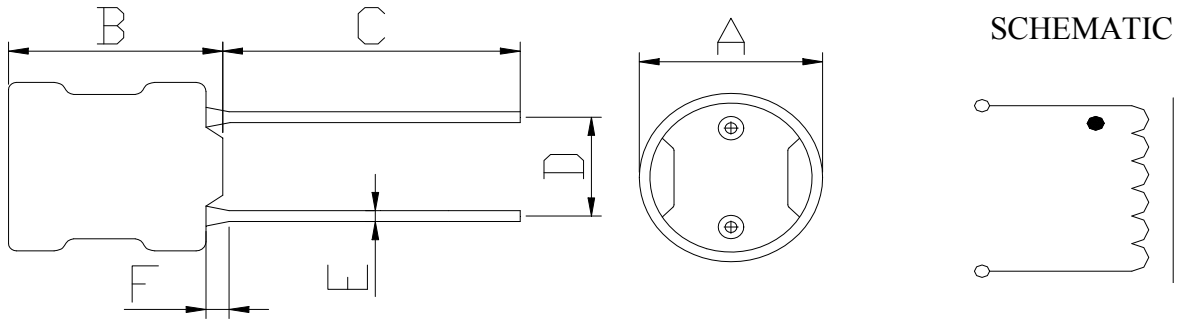


SPECIFICATION FOR APPROVAL

RoHS COMPLIANT

CUSTOMER	8826	CUSTOMER No.	744 748 747 1E	PAGE
CENKER P/N	CKPP1014-470uH/K-UT	DRAWING No.	SP-CK112-GXA12604	1/6
ISSUE DATE	2021/3/26	VERSION	A0	

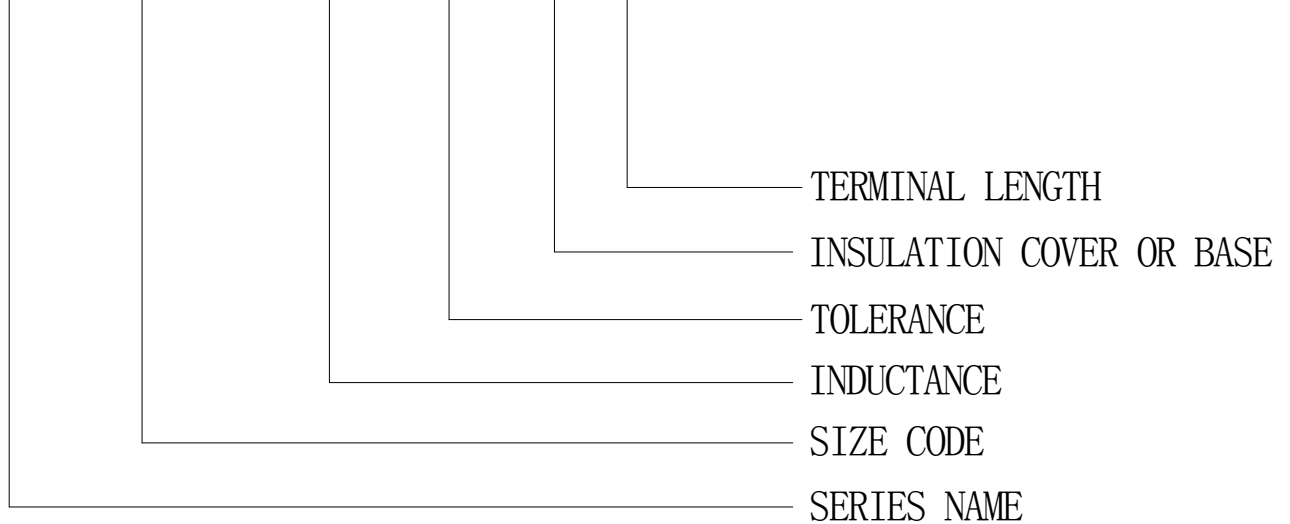
1、 DIMENSION (mm):



NOTE:“D”Measured at the position closed to the body

A	B	C	D	E	F
12.0Max	16.0Max	22.0±2.0	5.0±0.5	0.8±0.1	3.0Max

CKPP 1014 - 470uH K - U T



2、 TEMPERATURE RATING:

Operating Temperature : -25℃ ~ +85℃ ; Storage Temperature : -25℃ ~ +85℃

 <p>深圳市岑科实业有限公司 SHEN ZHEN CENKER ENTERPRISE LTD. TEL:0755-89808755 FAX:0755-27525256</p>	PREPARED	CHECKED	APPROVED
	覃玉云	韦秀华	钟远明

SPECIFICATION FOR APPROVAL

RoHS COMPLIANT

CUSTOMER	8826	CUSTOMER No.	744 748 747 1E	PAGE
CENKER P/N	CKPP1014-470uH/K-UT	DRAWING No.	SP-CK112-GXA12604	2/6
ISSUE DATE	2021/3/26	VERSION	A0	

3、ELECTRICAL REQUIREMENTS:

ITEM	SPEC.	TOLERANCE	TEST FREQUENCY	TEST EQUIPMENT
INDUCTANCE	470uH	±10%	100kHz/5mA	HP-4284A
DCR	720mΩ	Max.	at 25°C	Keysight 34420A
IDC	1A	L0A×90% Ref.	100kHz/5mA	HP-4284A+HP-42841A

4、MATERIAL LIST:

No.	Material	Specification	Supplier	UL.
1	Core	DRT 10×14 or equivalent	SUNRISE FERRITE CORES ELECTRONIC CO.,LTD.	
2	Wire	Ø0.35mm×111.5Ts. Ref. (2UEW-F) or equivalent	DONG GUAN YI DA INDUSTRIAL CO.,LTD	E344055
3	Solder	Sn99.3-Cu0.7 or equivalent	HuiZhou Chang Sheng METAL PRODUCTS CO.,LTD	
4	Tube	UL Φ10mm(BLACK) RSFR-H or equivalent	SHENZHEN WOER HEAT-SHRINKABLE MATERIAL CO.,LTD	E203950
		UL Φ10mm(BLACK) X-2 or equivalent	JIANGXI BAICHUAN ELECTRIC CONDUCTOR CO.,LTD	E350991
4	Epoxy	CKJ-600 or equivalent	SHENZHEN CENKER ENTERPRISE LTD.	
5	Pin	CP Φ0.8×23.5mm or equivalent	SHENZHEN CENKER ENTERPRISE LTD.	



深圳市岑科实业有限公司
SHEN ZHEN CENKER ENTERPRISE LTD.
TEL:0755-89808755 FAX:0755-27525256

PREPARED	CHECKED	APPROVED
覃玉云	韦秀华	钟远明

SPECIFICATION FOR APPROVAL

RoHS COMPLIANT

CUSTOMER	8826	LOT No.			
CUSTOMER No.	744 748 747 1E	QUANTITY	10PCS	DATE	2021/3/26
DRAWING No.	SP-CK112-GXA12604	DIMENSION(UNIT: mm)			
CENKER P/N	CKPP1014-470uH/K-UT				
DESCRIPTION	RADIAL TYPE CHOKE INDUCTOR				
TEST FREQ	100kHz/5mA				
TEMPERATURE	20 °C				

5. TESTING DATA:

ELECTRONICAL TEST DATA				OREALL DIMENSTON (UNIT: mm)							Marker	
	L	IDC 1A	DCR	A	B	C	D	E	F			
SPEC	470uH ±10%	L0A×90 % Ref.	720mΩ Max.	12.0Max	16.0Max	22.0±2.0	5.0±0.5	0.8±0.1	3.0Max			
1	476.84	453.95	480.66	10.76	14.88	21.10	5.12	0.77	1.93			
2	479.91	459.75	475.78	10.69	14.99	21.08	5.11	0.77	2.02			
3	484.53	461.27	478.34	10.77	14.84	21.20	5.07	0.80	2.02			
4	478.64	458.06	477.66	10.72	14.89	21.15	5.11	0.79	1.99			
5	475.24	453.85	479.53	10.74	14.85	21.09	5.03	0.78	1.91			
6	478.24	458.63	483.67	10.70	14.77	21.12	5.13	0.79	1.93			
7	479.33	457.28	480.88	10.73	14.94	21.15	5.11	0.79	2.00			
8	477.34	456.81	479.85	10.65	14.91	21.06	5.03	0.78	1.93			
9	477.98	455.04	479.96	10.73	14.76	20.90	5.03	0.78	2.02			
10	477.21	456.21	483.14	10.69	14.81	21.06	5.02	0.78	2.01			
\bar{X}	478.53	457.09	479.95	10.72	14.86	21.09	5.08	0.78	1.98			
R	9.29	7.42	7.89	0.12	0.23	0.30	0.11	0.03	0.12			

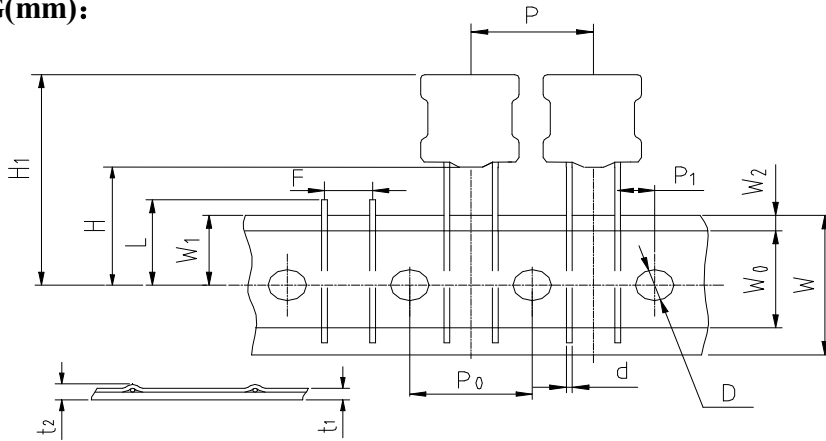
TEST EQUIPMENT: ALL JUDGE OK NG

L CH-1062A HP-4284A
 Q HM2801A HM9481 CJ2851
 DCR Keysight 34420A
 SRF HM9460
 IDC CD1068+CD1320 HP-4284A+HP-42841A

<p>深圳市岑科实业有限公司 SHEN ZHEN CENKER ENTERPRISE LTD. TEL:0755-89808755 FAX:0755-27525256</p>	PREPARED	CHECKED	APPROVED
	覃玉云	韦秀华	钟远明

CUSTOMER	8826	CUSTOMER No.	744 748 747 1E	PAGE
CENKER P/N	CKPP1014-470uH/K-UT	DRAWING No.	SP-CK112-GXA12604	4/6
ISSUE DATE	2021/3/26	VERSION	A0	

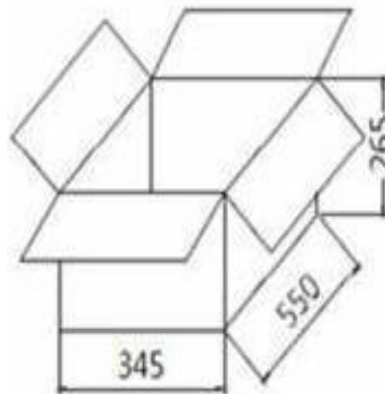
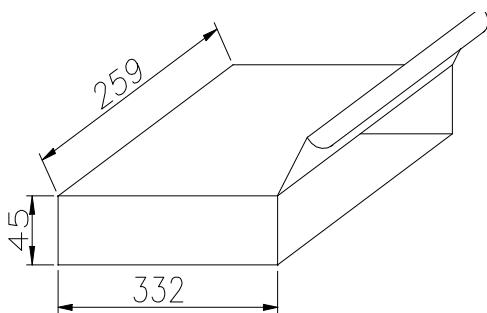
6、PACKING(mm):



SYMBOL	DIMENSIONS(mm)	SYMBOL	DIMENSIONS(mm)
H1	39.0max	W1	9.0±0.5
H	18.5±1.0	W2	3.0 max
P	12.7±1.0	D	∅4.0±0.2
P0	12.7±0.3	t1	0.7±0.2
d	∅0.8±0.1	t2	1.5 max
F	5.0±0.5	Δh	1.0 Max
W	18.0±1.0	L	11.0 max
W0	12.0±1.0		

1. Inside the box size: mm : 332*259*45mm , 500PCS

2. Outer box size :550*345*265mm , 5K PCS



Note: product braid folds empty one, the product into the core to down inside the box.



深圳市岑科实业有限公司
 SHEN ZHEN CENKER ENTERPRISE LTD.
 TEL:0755-89808755 FAX:0755-27525256

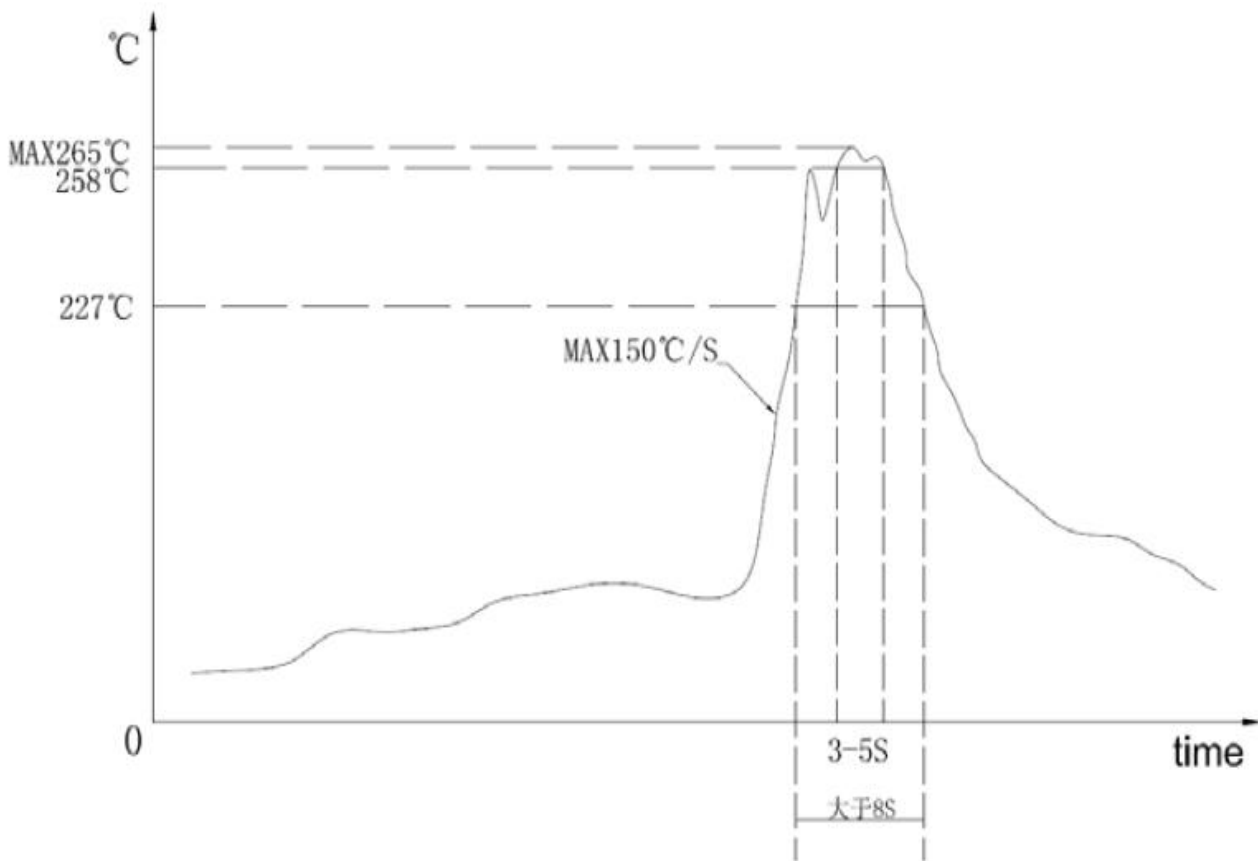
PREPARED	CHECKED	APPROVED
覃玉云	韦秀华	钟远明

7.Radial Type Inductor's Reliability Testing Items

GENERAL CHARACTERISTICS				5/6
STANDARD TESTING CONDITIONS:				
UNLESS OTHERWISE SPECIFIED, THE STANDARD RANGE OF ATMOSPHERIC CONDITIONS FOR MEASUREMENTS AND TESTS ARE AS FOLLOWS: AMBIENT TEMPERATURE: 15°C ~ 35°C. RELATIVE HUMIDITY: 25% ~ 85%. AIR PRESSURE: 86kPa ~ 106kPa.				
				Version : A0
NO.	Items	Test Methods	Requirements	Quantity
1	High temperature storage test	Temperature : 105°C ± 2°C Duration Time: 96 ± 4 Hours	No significant abnormality in appearance. Deviation relative to initial value: L: Within ± 5%	10
2	Low temperature storage test	Temperature : -25°C ± 2°C Duration Time: 96 ± 4 Hours		10
3	Humidity test	Temperature : 40°C ± 2°C Humidity : 90% ~ 95%RH Duration Time : 96 ± 4 Hours		10
4	Thermal shock test	First -25 ± 5°C for 30 ± 3 minutes, last 85 ± 5°C 30 ± 3 minutes as 1 cycles. Go through 10 cycles.		10
5	Resistance to soldering heat test	Fix the samples on a 1.6mm thickness PCB, then dip the sample leads into a soldering bath of 260 ± 5°C up to the PCB for 5 ± 1 seconds.		10
6	Lead terminal strength	A static pulling force of 5N in a direction parallel to the lead terminals for 30 ± 5 seconds.	No terminal breakage or loosening.	10
7	Solder ability test	Immerse the terminal in flux for 5 seconds. Then dip the terminal into a soldering bath of 245 ± 5°C for 2.5 ± 0.5 seconds.	At least 75% of terminal electrode is covered by new solder.	10

CUSTOMER	8826	CUSTOMER No.	744 748 747 1E	PAGE
CENKER P/N	CKPP1014-470uH/K-UT	DRAWING No.	SP-CK112-GXA12604	6/6
ISSUE DATE	2021/3/26	VERSION	A0	

8.Flow (wave) soldering curve



Solder iron temperature: 350°C ±5°C

Welding time: 3±1seconds



深圳市岑科实业有限公司
 SHEN ZHEN CENKER ENTERPRISE LTD.
 TEL:0755-89808755 FAX:0755-27525256

PREPARED	CHECKED	APPROVED
覃玉云	韦秀华	钟远明

X-ON Electronics

Largest Supplier of Electrical and Electronic Components

Click to view similar products for [Fixed Inductors](#) category:

Click to view products by [CENKER](#) manufacturer:

Other Similar products are found below :

[CR32NP-100KC](#) [CR54NP-470LC](#) [70F224AI](#) [MGDQ4-00004-P](#) [MHQ1005P10NJ](#) [MHQ1005P1N0S](#) [MHQ1005P2N4S](#) [MHQ1005P3N6S](#)
[MHQ1005P5N1S](#) [MHQ1005P8N2J](#) [PE-53601NL](#) [PE-53602NL](#) [PG0936.113NLT](#) [9220-20](#) [9310-16](#) [PM06-2N7](#) [PM06-39NJ](#) [A01TK](#)
[1206CS-471XJ](#) [HC2-R47-R](#) [HC8-1R2-R](#) [HCF1305-3R3-R](#) [1206CS-151XG](#) [RCH664NP-140L](#) [RCH664NP-4R7M](#) [RCP1317NP-391L](#)
[RCR110DNP-331L](#) [DH2280-4R7M](#) [DS1608C-106](#) [B10TJ](#) [B82498B3101J000](#) [ELJ-RE27NJF2](#) [1812CS-153XJ](#) [1812CS-183XJ](#) [1812CS-](#)
[223XJ](#) [1812LS-104XJ](#) [1812LS-105XJ](#) [1812LS-124XJ](#) [1812LS-154XJ](#) [1812LS-223XJ](#) [1812LS-224XJ](#) [1812LS-563XJ](#) [1812LS-683XJ](#)
[1812LS-824XJ](#) [NIN-FB101JTR110F](#) [NIN-FB471JTR62F](#) [NIN-FC1R5JTR220F](#) [NIN-HCR15JTRF](#) [NIN-HCR33JTRF](#) [NIN-HDR22JTRF](#)