

CBRDFSH1-40  
 CBRDFSH1-60  
 CBRDFSH1-100

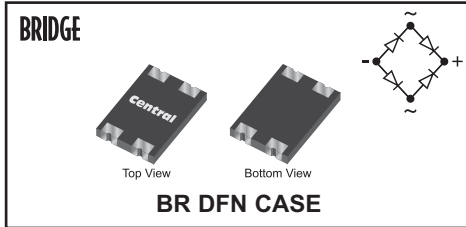
**SURFACE MOUNT  
 1.0 AMP SILICON  
 SCHOTTKY BRIDGE RECTIFIERS**



www.centrasemi.com

**DESCRIPTION:**

The CENTRAL SEMICONDUCTOR CBRDFSH1-40, CBRDFSH1-60, and CBRDFSH1-100 are 1.0 Amp full wave bridge rectifiers mounted in a durable epoxy surface mount case, utilizing glass passivated chips.



**MARKING CODES: CBRDFSH1-40: SH1-40  
 CBRDFSH1-60: SH1-60  
 CBRDFSH1-100: SH1100**

**MAXIMUM RATINGS:** ( $T_A=25^\circ\text{C}$  unless otherwise noted)

	SYMBOL	CBRDFSH1			UNITS
		-40	-60	-100	
Peak Repetitive Reverse Voltage	$V_{RRM}$	40	60	100	V
DC Blocking Voltage	$V_R$	40	60	100	V
RMS Reverse Voltage	$V_{R(RMS)}$	28	42	70	V
Average Forward Current ( $T_A=50^\circ\text{C}$ )	$I_O$		1.0		A
Peak Forward Surge Current (8.3ms)	$I_{FSM}$		30		A
Operating and Storage Junction Temperature	$T_J, T_{stg}$		-55 to +125		$^\circ\text{C}$

**ELECTRICAL CHARACTERISTICS PER DIODE:** ( $T_A=25^\circ\text{C}$  unless otherwise noted)

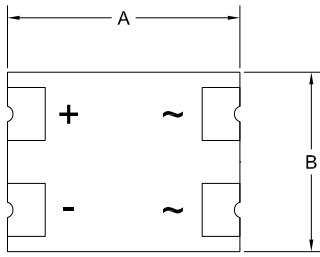
SYMBOL	TEST CONDITIONS	TYP	MAX	UNITS
$I_R$	$V_R=40\text{V}$ (CBRDFSH1-40)	10	200	$\mu\text{A}$
$I_R$	$V_R=60\text{V}$ (CBRDFSH1-60)	10	200	$\mu\text{A}$
$I_R$	$V_R=100\text{V}$ (CBRDFSH1-100)	1.0	200	$\mu\text{A}$
$V_F$	$I_F=1.0\text{A}$ (CBRDFSH1-40)	490	500	mV
$V_F$	$I_F=1.0\text{A}$ (CBRDFSH1-60)	600	700	mV
$V_F$	$I_F=1.0\text{A}$ (CBRDFSH1-100)	800	850	mV
$C_J$	$V_R=4.0\text{V}, f=1.0\text{MHz}$		250	pF

CBRDFSH1-40  
 CBRDFSH1-60  
 CBRDFSH1-100

SURFACE MOUNT  
 1.0 AMP SILICON  
 SCHOTTKY BRIDGE RECTIFIERS



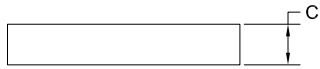
BR DFN CASE - MECHANICAL OUTLINE



TOP VIEW

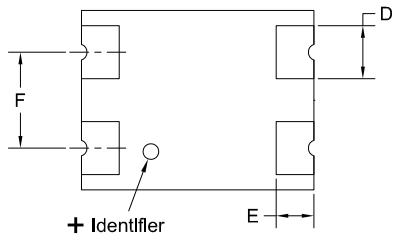
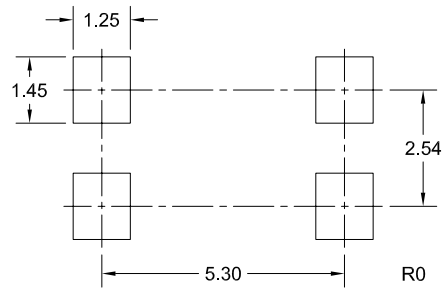
DIMENSIONS				
SYMBOL	INCHES		MILLIMETERS	
	MIN	MAX	MIN	MAX
A	0.238	0.246	6.05	6.25
B	0.183	0.191	4.65	4.85
C	0.036	0.048	0.92	1.22
D	0.053	0.057	1.35	1.45
E	0.037	0.041	0.95	1.05
F	0.098	0.102	2.49	2.59

BR DFN (REV: R0)



SIDE VIEW

SUGGESTED MOUNTING PADS  
 (Dimensions in mm)



BOTTOM VIEW R0

MARKING CODES: CBRDFSH1-40: SH1-40  
 CBRDFSH1-60: SH1-60  
 CBRDFSH1-100: SH1100

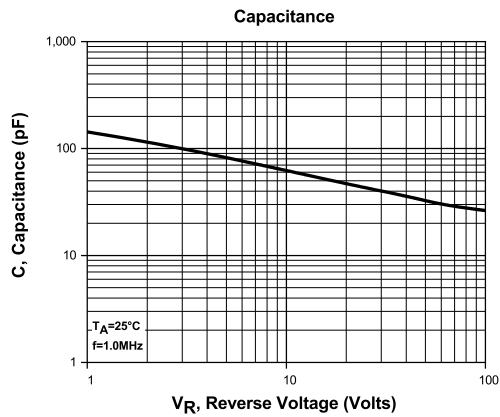
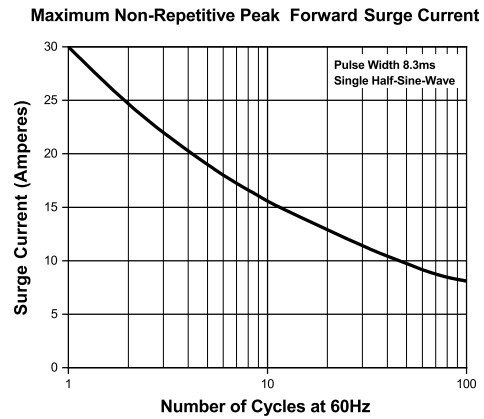
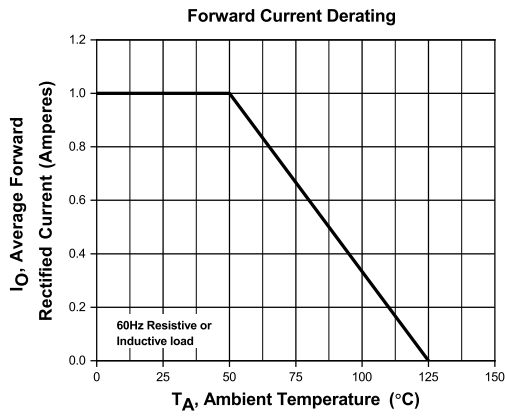
R3 (9-September 2019)

CBRDFSH1-40  
 CBRDFSH1-60  
 CBRDFSH1-100

SURFACE MOUNT  
 1.0 AMP SILICON  
 SCHOTTKY BRIDGE RECTIFIERS



TYPICAL ELECTRICAL CHARACTERISTICS



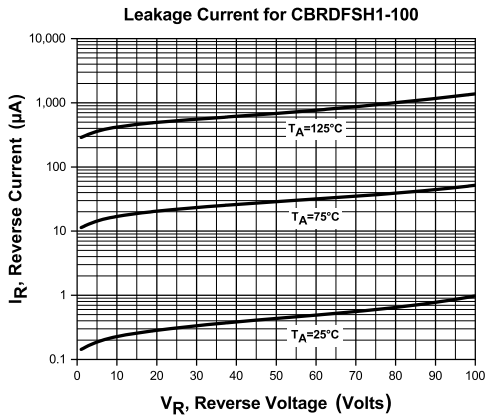
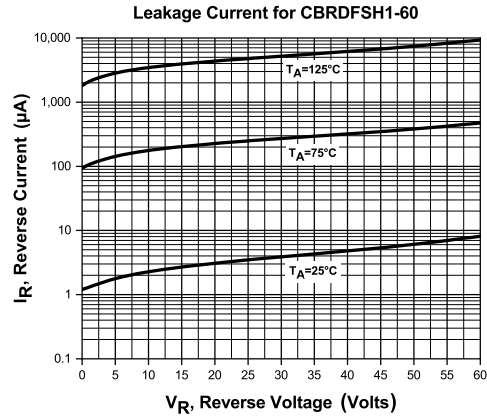
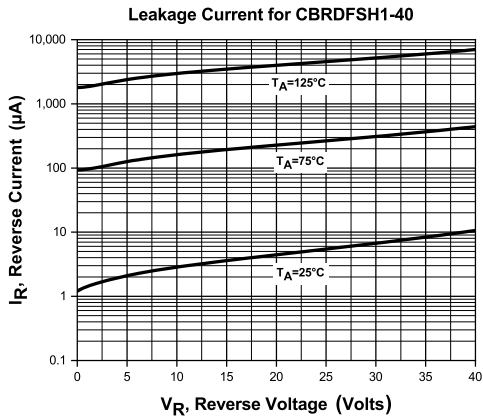
R3 (9-September 2019)

CBRDFSH1-40  
CBRDFSH1-60  
CBRDFSH1-100

SURFACE MOUNT  
1.0 AMP SILICON  
SCHOTTKY BRIDGE RECTIFIERS



### TYPICAL ELECTRICAL CHARACTERISTICS



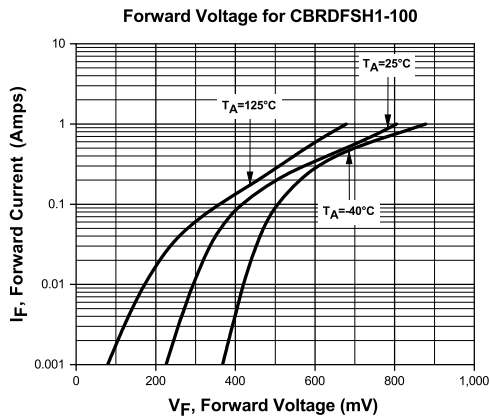
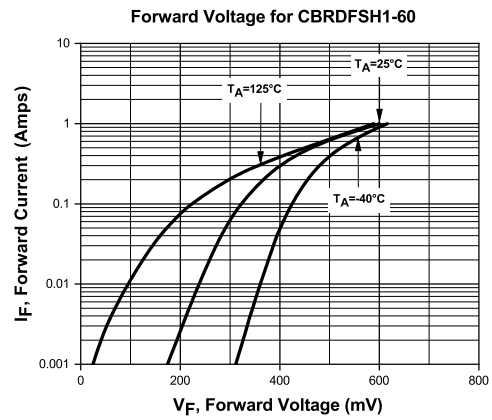
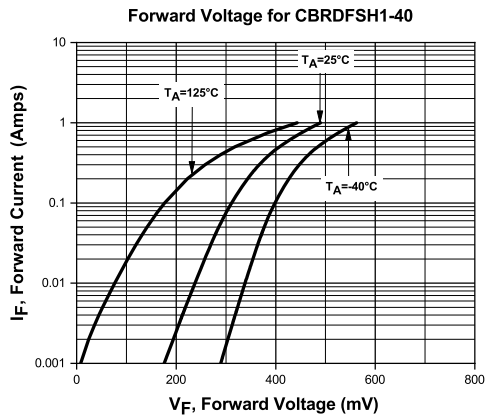
R3 (9-September 2019)

CBRDFSH1-40  
CBRDFSH1-60  
CBRDFSH1-100

SURFACE MOUNT  
1.0 AMP SILICON  
SCHOTTKY BRIDGE RECTIFIERS



### TYPICAL ELECTRICAL CHARACTERISTICS



R3 (9-September 2019)



## OUTSTANDING SUPPORT AND SUPERIOR SERVICES

---

### PRODUCT SUPPORT

Central's operations team provides the highest level of support to insure product is delivered on-time.

- Supply management (Customer portals)
- Inventory bonding
- Consolidated shipping options
- Custom bar coding for shipments
- Custom product packing

---

### DESIGNER SUPPORT/SERVICES

Central's applications engineering team is ready to discuss your design challenges. Just ask.

- Free quick ship samples (2<sup>nd</sup> day air)
- Online technical data and parametric search
- SPICE models
- Custom electrical curves
- Environmental regulation compliance
- Customer specific screening
- Up-screening capabilities
- Special wafer diffusions
- PbSn plating options
- Package details
- Application notes
- Application and design sample kits
- Custom product and package development

---

### REQUESTING PRODUCT PLATING

1. If requesting Tin/Lead plated devices, add the suffix " TIN/LEAD" to the part number when ordering (example: 2N2222A TIN/LEAD).
2. If requesting Lead (Pb) Free plated devices, add the suffix " PBFREE" to the part number when ordering (example: 2N2222A PBFREE).

---

### CONTACT US

#### Corporate Headquarters & Customer Support Team

Central Semiconductor Corp.  
145 Adams Avenue  
Hauppauge, NY 11788 USA  
Main Tel: (631) 435-1110  
Main Fax: (631) 435-1824  
Support Team Fax: (631) 435-3388  
[www.centrasemi.com](http://www.centrasemi.com)

**Worldwide Field Representatives:**  
[www.centrasemi.com/wwreps](http://www.centrasemi.com/wwreps)

**Worldwide Distributors:**  
[www.centrasemi.com/wwdistributors](http://www.centrasemi.com/wwdistributors)

---

For the latest version of Central Semiconductor's **LIMITATIONS AND DAMAGES DISCLAIMER**, which is part of Central's Standard Terms and Conditions of sale, visit: [www.centrasemi.com/terms](http://www.centrasemi.com/terms)

## X-ON Electronics

Largest Supplier of Electrical and Electronic Components

*Click to view similar products for [Bridge Rectifiers](#) category:*

*Click to view products by [Central Semiconductor](#) manufacturer:*

Other Similar products are found below :

[G3SBA60-E351](#) [GBJ1504-BP](#) [GBU10B-BP](#) [GBU15J-BP](#) [GBU15K-BP](#) [GBU4A-BP](#) [GBU4D-BP](#) [GBU6B-E3/45](#) [GSIB680-E3/45](#) [DB101-BP](#) [DF10SA-E345](#) [RMB2S](#) [RCG](#) [APT30DF100HJ](#) [APT60DF20HJ](#) [B2S-E3/80](#) [BU1506-E351](#) [BU15085S-E345](#) [BU1508-E3/45](#) [BU1510-E3/45](#) [RS404GL-BP](#) [RS405GL-BP](#) [G3SBA20-E3/51](#) [G5SBA20-E3/51](#) [G5SBA60-E3/51](#) [GBJ1502-BP](#) [GBL02-E351](#) [GBL10-E3/45](#) [GBU10J-BP](#) [GBU4J-BP](#) [GBU4K-BP](#) [GBU8B-E3/45](#) [GBU8D-BP](#) [GBU8J-BP](#) [GSIB1520-E3/45](#) [MB1510](#) [MB352W](#) [MB6M-G](#) [B2M-E345](#) [B40C7000A](#) [B500C7000A](#) [MP5010W-BP](#) [MP501W-BP](#) [MP502-BP](#) [BR1005-BP](#) [BR101-BP](#) [BU1006-E345](#) [BU12065S-E3/45](#) [BU1508-E3/51](#) [BU2006-E3/45](#) [BU2008-E345](#)