

CMPH-3
 CMPH-3A
 CMPH-3C
 CMPH-3S

**SURFACE MOUNT SILICON
 SCHOTTKY DIODES**



www.centrasemi.com

DESCRIPTION:

The CENTRAL SEMICONDUCTOR CMPH-3 series devices are silicon Schottky diodes designed for surface mount fast switching applications requiring a low forward voltage drop.



SOT-23 CASE

The following configurations are available:

CMPH-3 SINGLE
 CMPH-3A DUAL, COMMON ANODE
 CMPH-3C DUAL, COMMON CATHODE
 CMPH-3S DUAL, IN SERIES

MARKING CODE: D95
MARKING CODE: DB1
MARKING CODE: DB2
MARKING CODE: DA5

MAXIMUM RATINGS: (T _A =25°C)	SYMBOL		UNITS
Peak Repetitive Reverse Voltage	V _{RRM}	30	V
Continuous Forward Current	I _F	100	mA
Peak Repetitive Forward Current	I _{FRM}	350	mA
Peak Forward Surge Current, tp=10ms	I _{FSM}	750	mA
Power Dissipation	P _D	350	mW
Operating and Storage Junction Temperature	T _J , T _{stg}	-65 to +150	°C
Thermal Resistance	θ _{JA}	357	°C/W

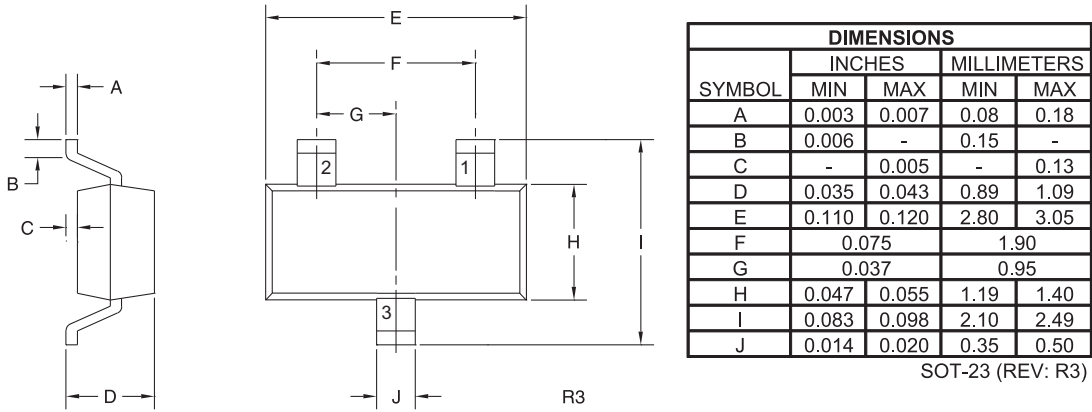
ELECTRICAL CHARACTERISTICS PER DIODE: (T_A=25°C unless otherwise noted)

SYMBOL	TEST CONDITIONS	MIN	TYP	MAX	UNITS
I _R	V _R =25V		90	500	nA
I _R	V _R =25V, T _A =100°C		25	100	μA
BV _R	I _R =100μA	30			V
V _F	I _F =2.0mA		0.29	0.33	V
V _F	I _F =15mA		0.37	0.45	V
V _F	I _F =100mA		0.51	1.00	V
C _J	V _R =0, f=1.0MHz			20	pF
t _{rr}	I _F =I _R =10mA, I _{rr} =1.0mA, R _L =100Ω			5.0	ns

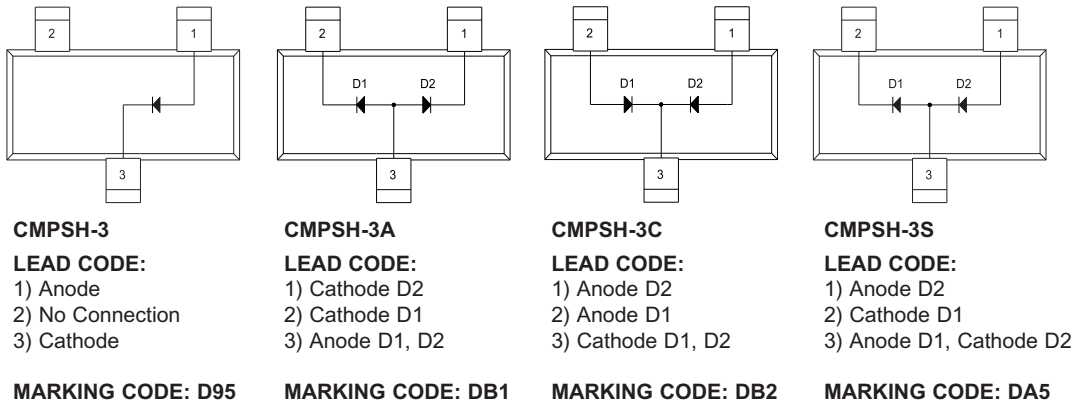
CMP SH-3
CMP SH-3A
CMP SH-3C
CMP SH-3S
SURFACE MOUNT SILICON
SCHOTTKY DIODES



SOT-23 CASE - MECHANICAL OUTLINE



PIN CONFIGURATIONS



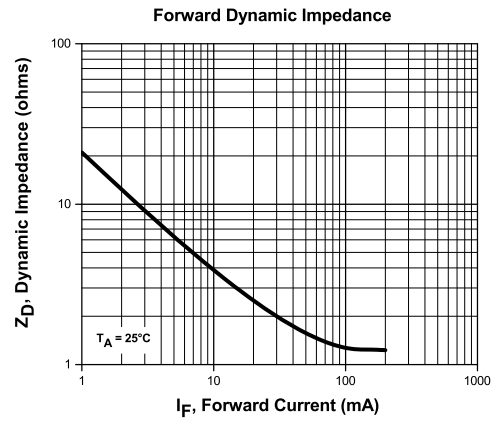
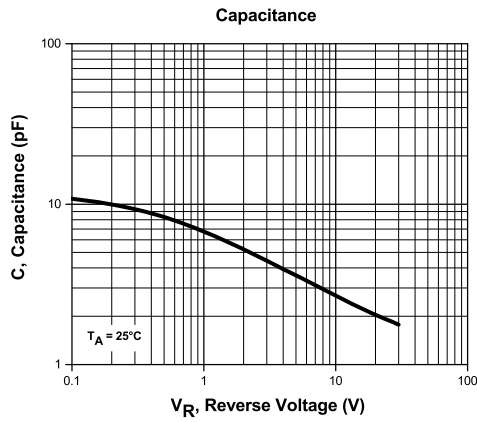
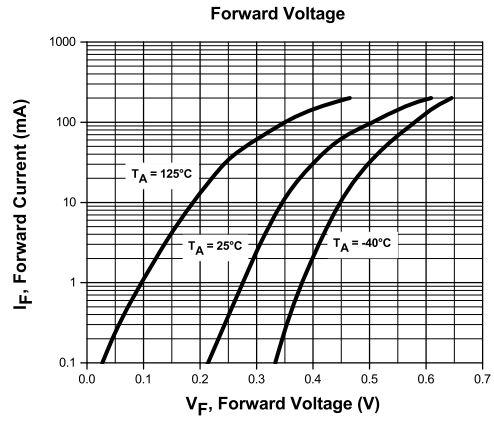
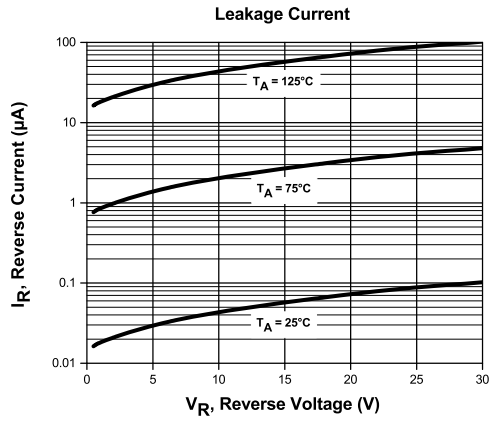
R8 (8-September 2016)

CMPH-3
 CMPH-3A
 CMPH-3C
 CMPH-3S

SURFACE MOUNT SILICON
 SCHOTTKY DIODES



TYPICAL ELECTRICAL CHARACTERISTICS



R8 (8-September 2016)

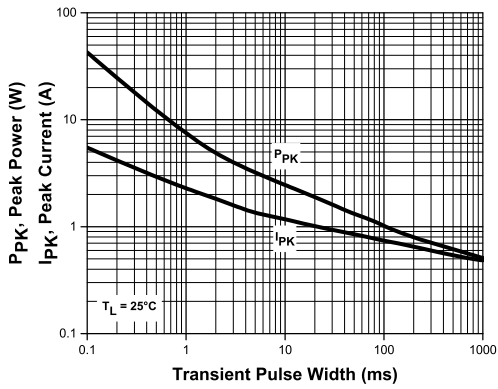
CMP SH-3
 CMP SH-3A
 CMP SH-3C
 CMP SH-3S

SURFACE MOUNT SILICON
 SCHOTTKY DIODES

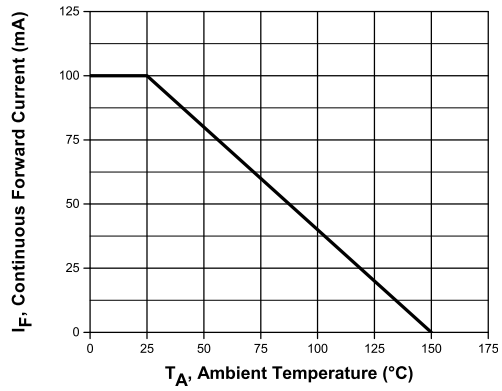


TYPICAL ELECTRICAL CHARACTERISTICS

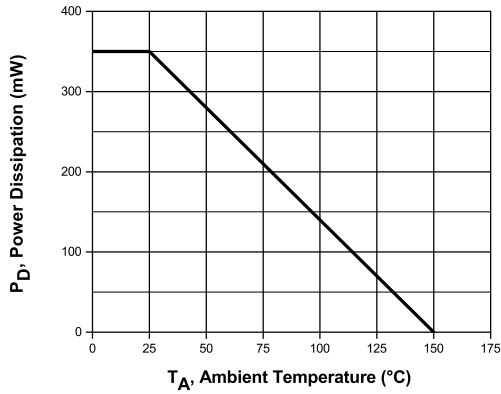
Transient Peak Power and Peak Current Capacity



Current Derating



Power Derating



R8 (8-September 2016)



OUTSTANDING SUPPORT AND SUPERIOR SERVICES

PRODUCT SUPPORT

Central's operations team provides the highest level of support to insure product is delivered on-time.

- Supply management (Customer portals)
- Inventory bonding
- Consolidated shipping options
- Custom bar coding for shipments
- Custom product packing

DESIGNER SUPPORT/SERVICES

Central's applications engineering team is ready to discuss your design challenges. Just ask.

- Free quick ship samples (2nd day air)
- Online technical data and parametric search
- SPICE models
- Custom electrical curves
- Environmental regulation compliance
- Customer specific screening
- Up-screening capabilities
- Special wafer diffusions
- PbSn plating options
- Package details
- Application notes
- Application and design sample kits
- Custom product and package development

REQUESTING PRODUCT PLATING

1. If requesting Tin/Lead plated devices, add the suffix " TIN/LEAD" to the part number when ordering (example: 2N2222A TIN/LEAD).
2. If requesting Lead (Pb) Free plated devices, add the suffix " PBFREE" to the part number when ordering (example: 2N2222A PBFREE).

CONTACT US

Corporate Headquarters & Customer Support Team

Central Semiconductor Corp.
145 Adams Avenue
Hauppauge, NY 11788 USA
Main Tel: (631) 435-1110
Main Fax: (631) 435-1824
Support Team Fax: (631) 435-3388
www.centrasemi.com

Worldwide Field Representatives:
www.centrasemi.com/wwreps

Worldwide Distributors:
www.centrasemi.com/wwdistributors

For the latest version of Central Semiconductor's **LIMITATIONS AND DAMAGES DISCLAIMER**, which is part of Central's Standard Terms and Conditions of sale, visit: www.centrasemi.com/terms

X-ON Electronics

Largest Supplier of Electrical and Electronic Components

Click to view similar products for [Schottky Diodes & Rectifiers](#) category:

Click to view products by [Central Semiconductor](#) manufacturer:

Other Similar products are found below :

[MA4E2039](#) [D1FH3-5063](#) [MBR10100CT-BP](#) [MBR1545CT](#) [MMBD301M3T5G](#) [RB160M-50TR](#) [RB551V-30](#) [BAS16E6433HTMA1](#) [BAT](#)
[54-02LRH E6327](#) [NSR05F40QNXT5G](#) [NTE555](#) [JANS1N6640](#) [SB07-03C-TB-H](#) [SK310-T](#) [SK32A-LTP](#) [SK33A-TP](#) [SK34B-TP](#) [SS3003CH-](#)
[TL-E](#) [GA01SHT18](#) [CRS10I30A\(TE85L,QM](#) [MA4E2501L-1290](#) [MBRA140TRPBF](#) [MBRB30H30CT-1G](#) [SB007-03C-TB-E](#) [SK32A-TP](#)
[SK33B-TP](#) [SK35A-TP](#) [SK38B-TP](#) [NRVBM120LT1G](#) [NTE505](#) [NTSB30U100CT-1G](#) [SS15E-TP](#) [VS-6CWQ10FNHM3](#) [ACDBA1100LR-HF](#)
[ACDBA1200-HF](#) [ACDBA140-HF](#) [ACDBA2100-HF](#) [ACDBA3100-HF](#) [CDBQC0530L-HF](#) [CDBQC0240LR-HF](#) [ACDBA340-HF](#)
[ACDBA260LR-HF](#) [ACDBA1100-HF](#) [SK310B-TP](#) [MA4E2502L-1246](#) [MA4E2502H-1246](#) [NRVBM120ET1G](#) [NSR01L30MXT5G](#) [NTE573](#)
[NTE6081](#)